

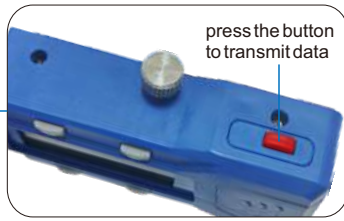
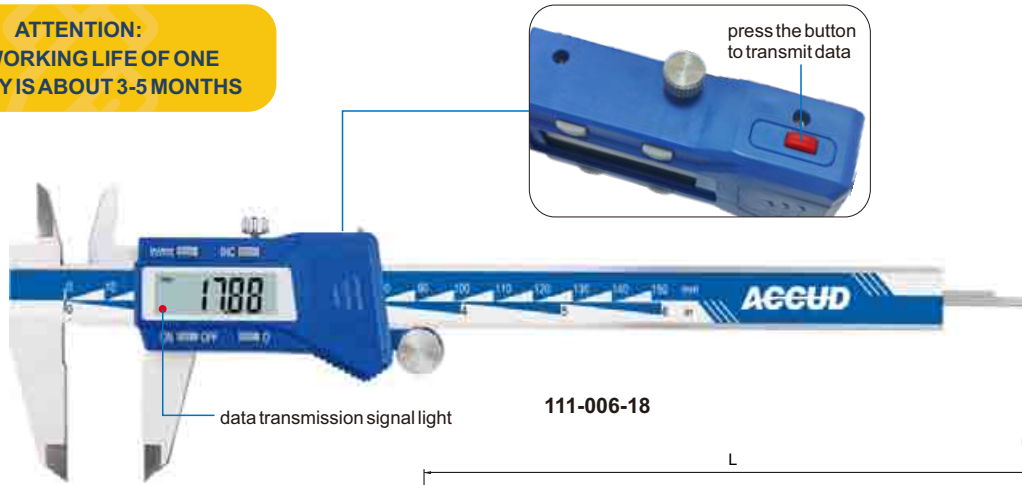
SERIES 111

WIRELESS DIGITAL CALIPER



ATTENTION:
THE WORKING LIFE OF ONE
BATTERY IS ABOUT 3-5 MONTHS

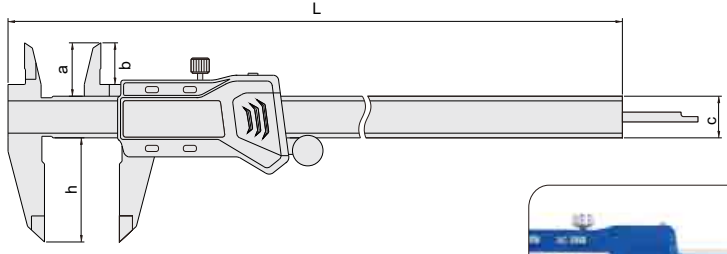
NEW



data transmission signal light

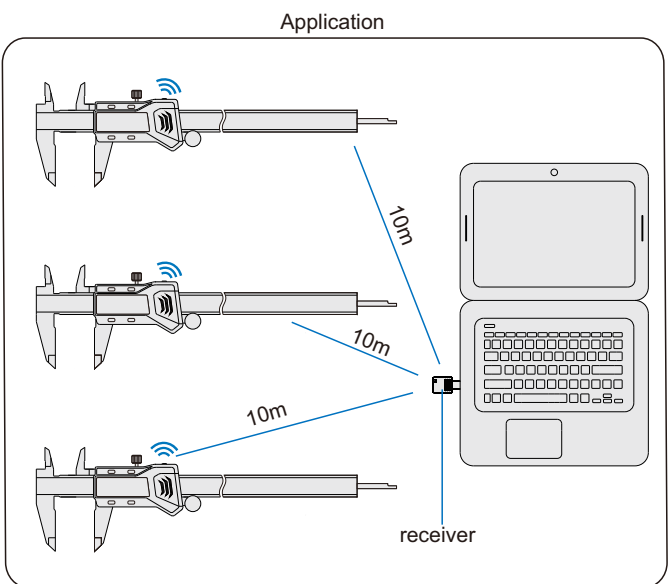
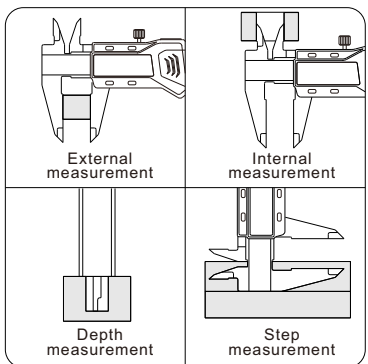
111-006-18

unit: mm



- ◆ Non waterproof
- ◆ Built-in wireless data transmission module, Zigbee signal
- ◆ Transmission distance is 10 meter (under the condition of no obstruction and no electromagnetic interference)
- ◆ Resolution: 0.01mm/0.0005"
- ◆ Buttons: on/off, zero, mm/in, INC
- ◆ Automatic power on/off
- ◆ Made of stainless steel
- ◆ Optional accessory: receiver (code 800-01 or 800-02)

CALIPER



Code	Range	Accuracy	a	b	c	h	L
111-006-18	0-150mm/0-6"	±0.03mm	21	16	16	40	236
111-008-18	0-200mm/0-8"	±0.03mm	24	19	16	50	286
111-012-18	0-300mm/0-12"	±0.03mm	25	20.5	16	60	400
111-006-18W	0-150mm/0-6"	±0.03mm	21	16	16	40	236
111-008-18W	0-200mm/0-8"	±0.03mm	24	19	16	50	286
111-012-18W	0-300mm/0-12"	±0.03mm	25	20.5	16	60	400

With manufacturer inspection certificate



SERIES 111

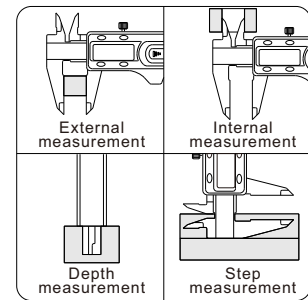
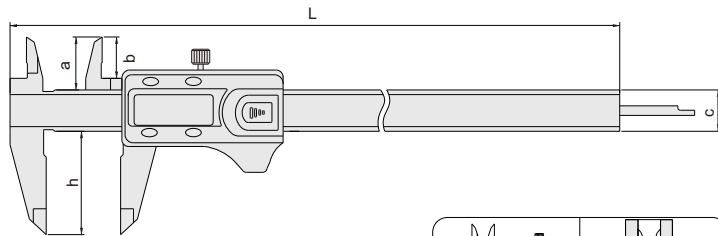
DIGITAL CALIPER



111-006-11N

unit: mm

- ◆ High accuracy due to using the glass scale
- ◆ Resolution: 0.01mm/0.0005"
- ◆ Buttons: on/off, zero, mm/in, ABS
- ◆ Data output(cable code:100-03 or 100-04)
- ◆ Automatic power on/off
- ◆ Meet DIN862
- ◆ Made of stainless steel



Code	Range	Accuracy	a	b	c	h	L
111-006-11N	0-150mm/0-6"	±0.03mm	21	16	16	40	236
111-008-11N	0-200mm/0-8"	±0.03mm	24	19	16	50	286
111-012-11N	0-300mm/0-12"	±0.03mm	25	20.5	16	60	400

With manufacturer inspection certificate

SERIES 111

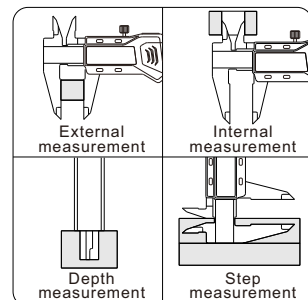
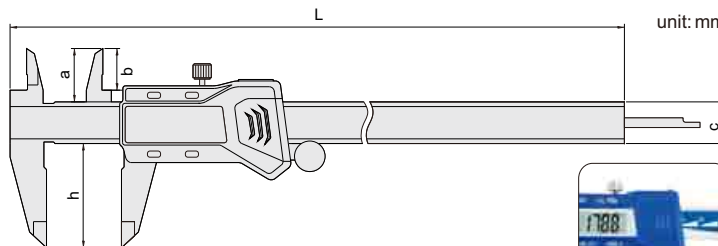
DIGITAL CALIPER



111-006-10

unit: mm

- ◆ High accuracy due to using the glass scale
- ◆ Resolution: 0.01mm/0.0005"
- ◆ Buttons: on/off, zero, mm/in, INC
- ◆ Data output(cable code:100-03 or 100-04)
- ◆ Automatic power on/off
- ◆ Meet DIN862
- ◆ Made of stainless steel

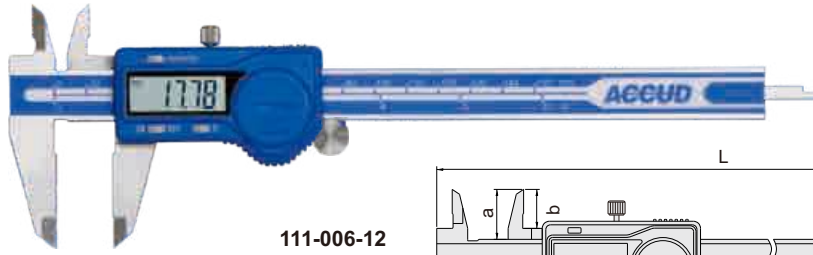


Code	Range	Accuracy	a	b	c	h	L
111-006-10	0-150mm/0-6"	±0.03mm	21	16	16	40	236
111-008-10	0-200mm/0-8"	±0.03mm	24	19	16	50	286
111-012-10	0-300mm/0-12"	±0.03mm	25	20.5	16	60	400
111-006-10W	0-150mm/0-6"	±0.03mm	21	16	16	40	236
111-008-10W	0-200mm/0-8"	±0.03mm	24	19	16	50	286
111-012-10W	0-300mm/0-12"	±0.03mm	25	20.5	16	60	400

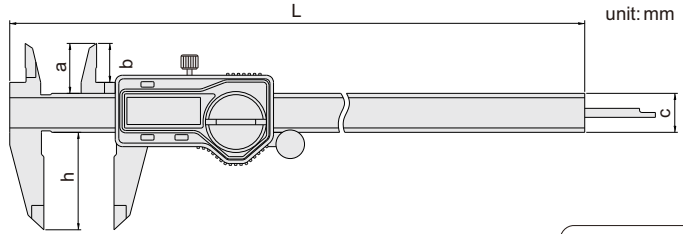
With manufacturer inspection certificate

SERIES 111

DIGITAL CALIPER



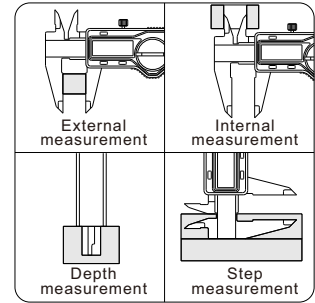
111-006-12



- ◆ Resolution: 0.01mm/0.0005"
- ◆ Buttons: on/off, zero, mm/inch
- ◆ Data output(cable code:100-11 or 100-12)
- ◆ Automatic power on/off
- ◆ Meet DIN862
- ◆ Made of stainless steel



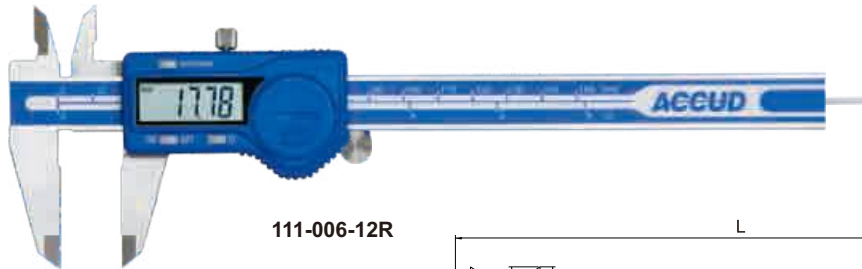
Code	Range	Accuracy	a	b	c	h	L
111-006-12	0-150mm/0-6"	±0.03mm	21	16	16	40	236
111-008-12	0-200mm/0-8"	±0.03mm	24	19	16	50	286
111-012-12	0-300mm/0-12"	±0.03mm	25	20.5	16	60	400
111-006-12W	0-150mm/0-6"	±0.03mm	21	16	16	40	236
111-008-12W	0-200mm/0-8"	±0.03mm	24	19	16	50	286
111-012-12W	0-300mm/0-12"	±0.03mm	25	20.5	16	60	400



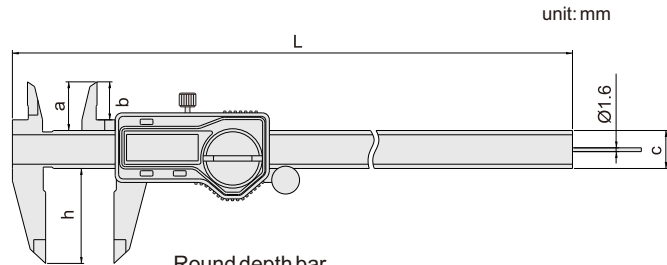
With manufacturer inspection certificate

SERIES 111

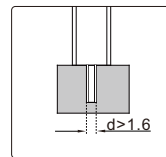
DIGITAL CALIPER WITH ROUND DEPTH BAR



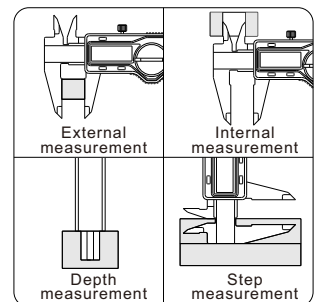
111-006-12R



- ◆ With round depth bar, for small hole depth measurement
- ◆ Resolution: 0.01mm/0.0005"
- ◆ Buttons: on/off, zero, mm/inch
- ◆ Data output(cable code:100-11 or 100-12)
- ◆ Automatic power on/off
- ◆ Meet DIN862
- ◆ Made of stainless steel



Code	Range	Accuracy	Thumb roller	a	b	c	h	L
111-006-12R	0-150mm/0-6"	±0.03mm	with	21	16	16	40	236
111-006-12RW	0-150mm/0-6"	±0.03mm	without	21	16	16	40	236



With manufacturer inspection certificate

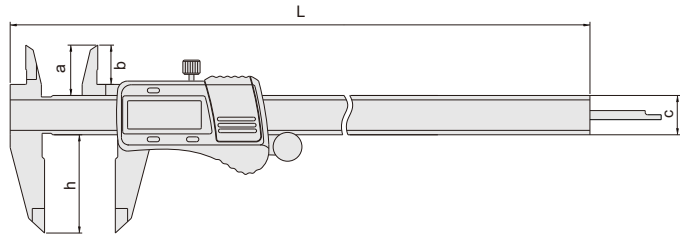
SERIES 111

DIGITAL CALIPER WITH METAL COVER



111-006-16

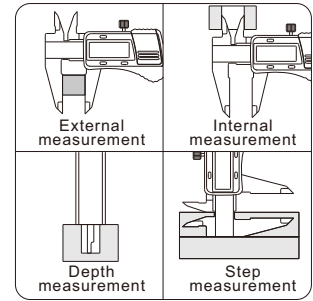
unit: mm



- ◆ Resolution: 0.01mm/0.0005"
- ◆ Buttons: on/off, zero, mm/inch
- ◆ Made of stainless steel

Code	Range	Accuracy	a	b	c	h	L
111-006-16	0-150mm/0-6"	±0.03mm	21	16	16	40	236
111-008-16	0-200mm/0-8"	±0.03mm	24	19	16	50	286
111-012-16	0-300mm/0-12"	±0.03mm	25	20.5	16	60	400

With manufacturer inspection certificate



CALIPER

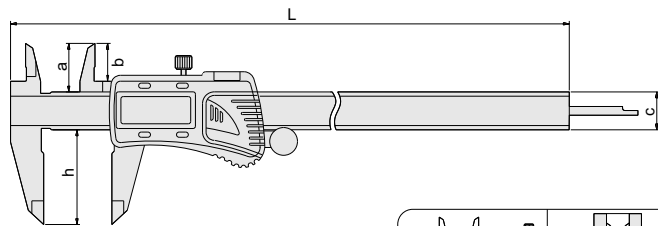
SERIES 111

DIGITAL CALIPER



111-006-17

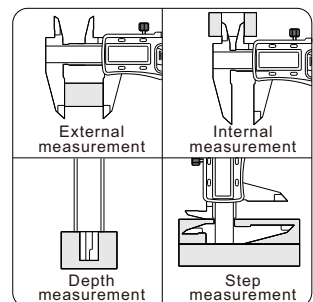
unit: mm



- ◆ High accuracy
- ◆ Absolute system
- ◆ Resolution: 0.01mm/0.0005"
- ◆ Buttons: on/off, ABS/ZERO, inch/mm, ORIGIN
- ◆ Data output(cable code:100-17)
- ◆ Meet DIN862
- ◆ Made of stainless steel

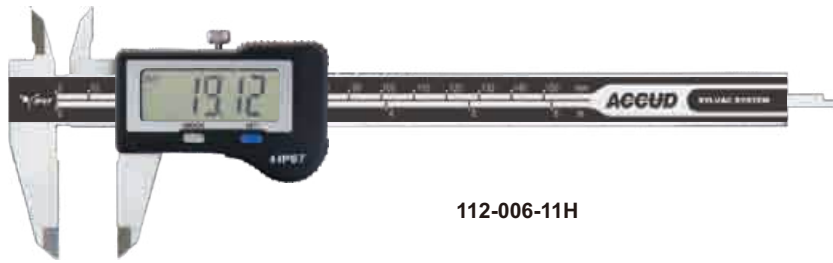
Code	Range	Accuracy	a	b	c	h	L
111-006-17	0-150mm/0-6"	±0.02mm	21	16.5	16	40	236
111-008-17	0-200mm/0-8"	±0.02mm	24	19	16	50	286
111-012-17	0-300mm/0-12"	±0.03mm	26	20.5	16	60	400

With manufacturer inspection certificate



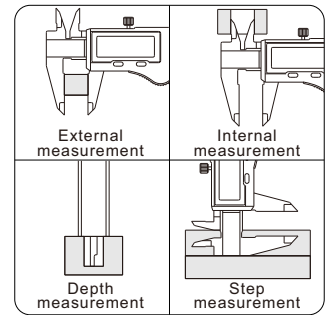
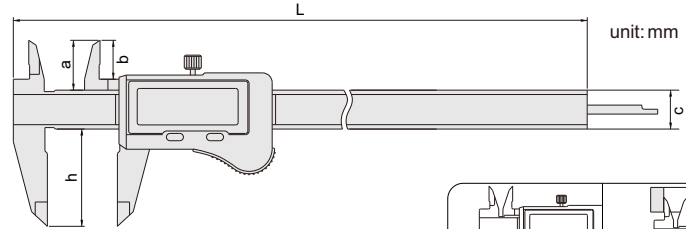
SERIES 112

IP67 DIGITAL CALIPER



112-006-11H

- ◆ IP67 protection level
- ◆ Absolute measuring system
- ◆ Resolution: 0.01mm/0.0005"
- ◆ Automatic power off
- ◆ Buttons: zero, mm/inch, data preset
- ◆ Made of stainless steel



Code	Range	Accuracy	a	b	c	h	L
112-006-11H	0-150mm/0-6"	±0.02mm	21	16.5	16	40	236
112-008-11H	0-200mm/0-8"	±0.02mm	24	19	16	50	286
112-012-11H	0-300mm/0-12"	±0.03mm	25	20.5	16	60	400

With manufacturer inspection certificate

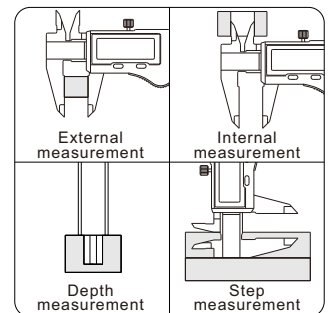
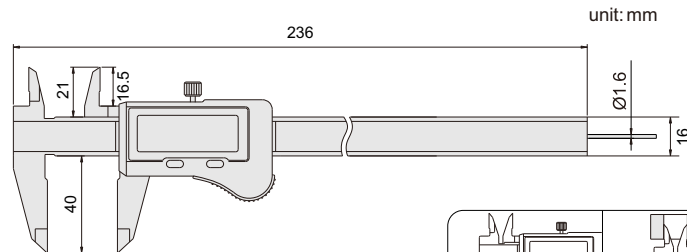
SERIES 112

WATERPROOF DIGITAL CALIPER WITH ROUND DEPTH BAR



112-006-11HR

- ◆ IP67 protection level
- ◆ Absolute measuring system
- ◆ Resolution: 0.01mm/0.0005"
- ◆ Automatic power off
- ◆ Buttons: zero, mm/inch, data preset
- ◆ Made of stainless steel



Code	Range	Accuracy
112-006-11HR	0-150mm/0-6"	±0.02mm

With manufacturer inspection certificate

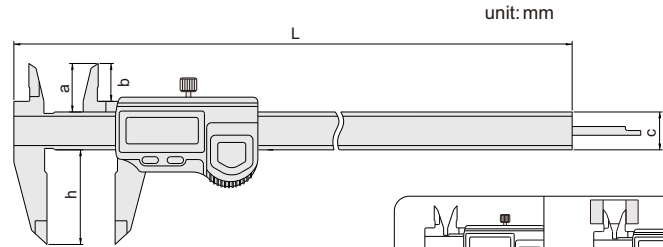
SERIES 112

IP67 DIGITAL CALIPER

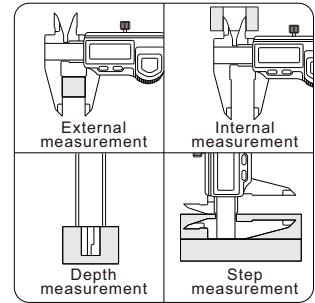


112-006-12

- ◆ IP67 protection level
- ◆ Absolute measuring system
- ◆ Resolution: 0.01mm/0.0005"
- ◆ Automatic power off
- ◆ Buttons: on/off, zero, mm/inch



unit: mm



Code	Range	Accuracy	a	b	c	h	L
112-006-12	0-150mm/0-6"	±0.03mm	21	16.5	16	40	236
112-008-12	0-200mm/0-8"	±0.03mm	24	20	16	50	286
112-012-12	0-300mm/0-12"	±0.03mm	25	20.5	16	60	400

With manufacturer inspection certificate

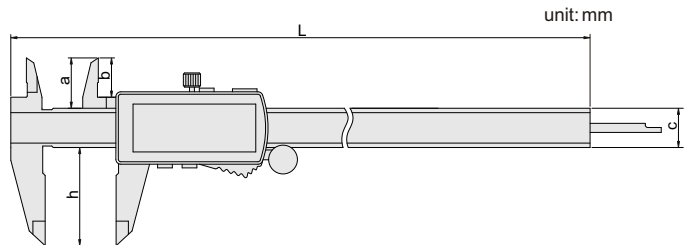
SERIES 106

DIGITAL CALIPER WITH LARGE SCREEN

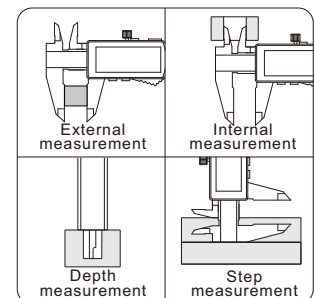


106-006-11

- ◆ Resolution: 0.01mm/0.0005"
- ◆ Buttons: on/off, zero, mm/inch
- ◆ Data output(cable code:100-03)
- ◆ Made of stainless steel
- ◆ Power: rechargeable battery, for 3 months continuous working(full charge)



unit: mm



Code	Range	Accuracy	a	b	c	h	L
106-006-11	0-150mm/0-6"	±0.03mm	21	16	16	40	236
106-008-11	0-200mm/0-8"	±0.03mm	24	19	16	50	286
106-012-11	0-300mm/0-12"	±0.03mm	25	20.5	16	60	400

With manufacturer inspection certificate



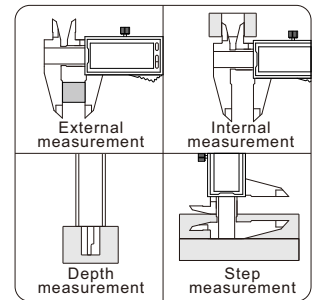
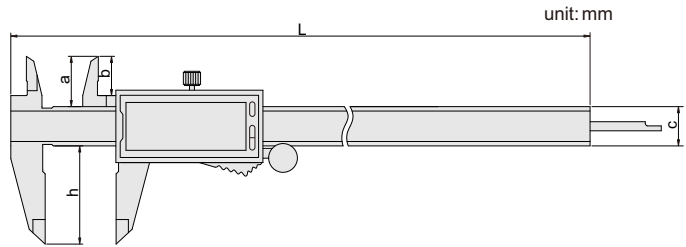
SERIES 106

DIGITAL CALIPER WITH LARGE SCREEN



106-006-21

- ◆ Resolution: 0.01mm/0.0005"
- ◆ Buttons: on/off, zero, mm/inch
- ◆ Automatic power on/off
- ◆ Meet DIN862
- ◆ Made of stainless steel



Code	Range	Accuracy	a	b	c	h	L
106-006-21	0-150mm/0-6"	±0.03mm	21	16	16	40	236
106-008-21	0-200mm/0-8"	±0.03mm	24	19	16	50	286
106-012-21	0-300mm/0-12"	±0.03mm	25	20.5	16	60	400

With manufacturer inspection certificate

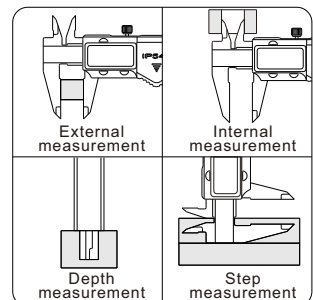
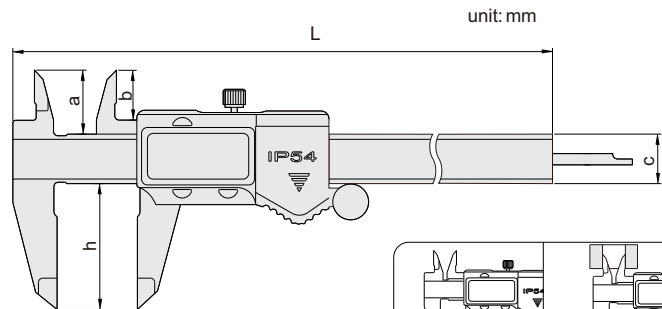
SERIES 113

FRACTIONAL DIGITAL CALIPER



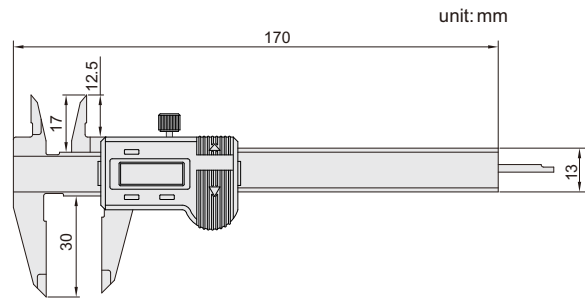
113-006-11

- ◆ With fraction reading
- ◆ Resolution: 0.01mm, 0.0005", 1/128"
- ◆ Buttons: on/off, zero, mm/inch
- ◆ Made of stainless steel



Code	Range	Accuracy	a	b	c	h	L
113-006-11	0-150mm/0-6"	±0.03mm	21	16	16	40	236
113-008-11	0-200mm/0-8"	±0.03mm	24	19	16	50	286
113-012-11	0-300mm/0-12"	±0.03mm	25	20.5	16	60	400

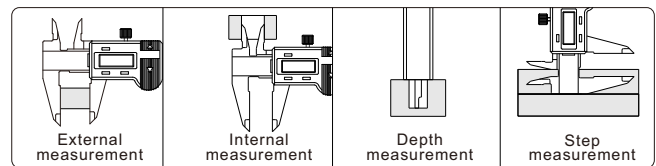
With manufacturer inspection certificate



- ◆ Resolution: 0.01mm/0.0005"
- ◆ Buttons: on/off, zero, mm/inch
- ◆ Meet DIN862
- ◆ Made of stainless steel

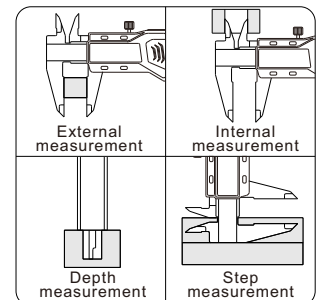
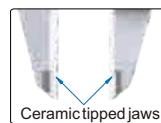
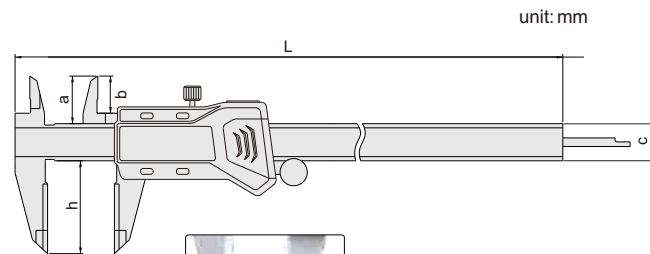
Code	Range	Accuracy
114-004-11	0-100mm/0-4"	±0.02mm

With manufacturer inspection certificate



115-006-11

- ◆ Ceramic tipped jaws for outside measurements, good wear-resistance, non-magnetic, non-conductive
- ◆ Resolution: 0.01mm/0.0005"
- ◆ Buttons: on/off, zero, mm/in, INC
- ◆ Data output(cable code: 100-03 or 100-04)
- ◆ Automatic power on/off
- ◆ Made of stainless steel



Code	Range	Accuracy	a	b	c	h	L
115-006-11	0-150mm/0-6"	±0.03mm	21	16.5	16	40	236
115-008-11	0-200mm/0-8"	±0.03mm	24	19	16	50	286
115-012-11	0-300mm/0-12"	±0.03mm	26	20.5	16	60	400

With manufacturer inspection certificate

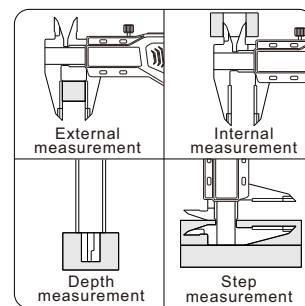
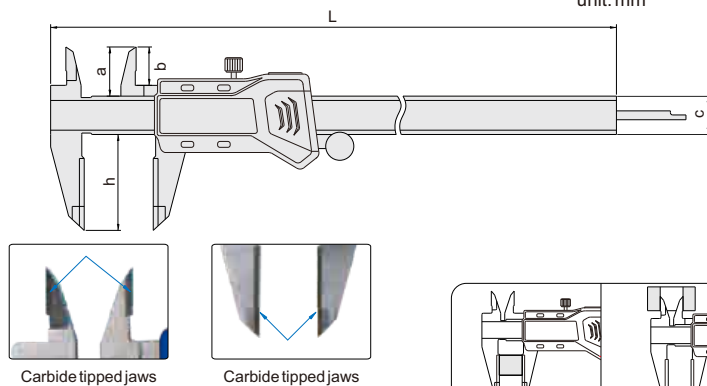
SERIES 116

DIGITAL CALIPER WITH CARBIDE TIPPED JAWS



116-006-11

- ◆ Carbide tipped jaws for inside and outside measurements, good wear-resistance
- ◆ Resolution: 0.01mm/0.0005"
- ◆ Buttons: on/off, zero, mm/in, INC
- ◆ Data output(cable code: 100-03 or 100-04)
- ◆ Automatic power on/off
- ◆ Made of stainless steel



Code	Range	Accuracy	a	b	c	h	L
116-006-11	0-150mm/0-6"	±0.03mm	21	16	16	40	236
116-008-11	0-200mm/0-8"	±0.03mm	24	19	16	50	286
116-012-11	0-300mm/0-12"	±0.03mm	25	20.5	16	60	400

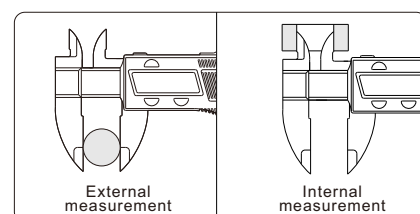
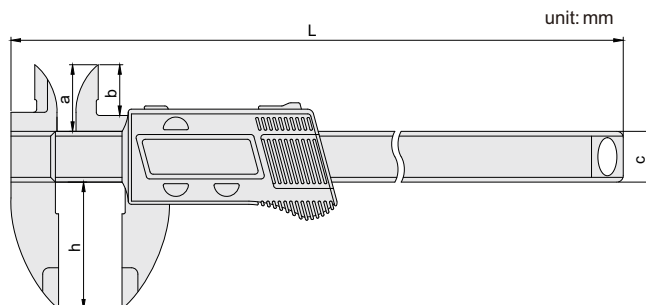
With manufacturer inspection certificate

117

PLASTIC DIGITAL CALIPER



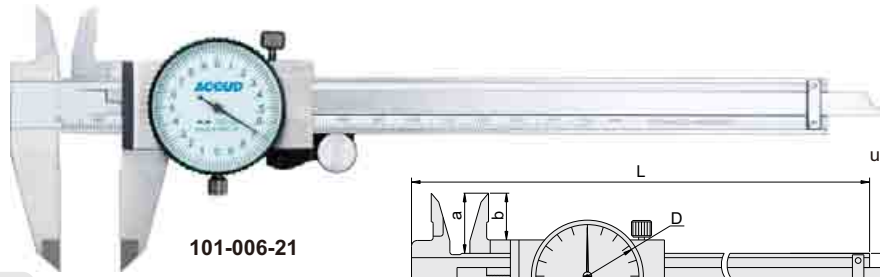
- ◆ Made of hard plastic
- ◆ Resolution: 0.01mm/0.0005"
- ◆ Buttons: on/off, zero, mm/inch



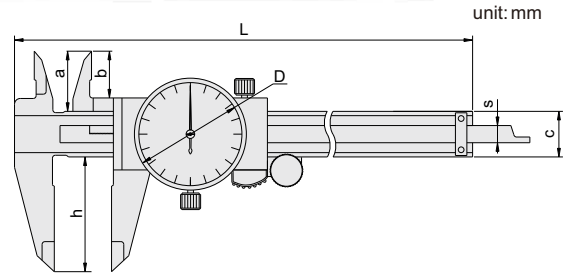
Code	Range	Accuracy	a	b	c	h	L
117-006-11	0-150mm/0-6"	±0.2mm	21	16	16	40	243

SERIES 101

DIAL CALIPER



101-006-21



- ◆ Shockproof dial indicator
- ◆ Made of stainless steel

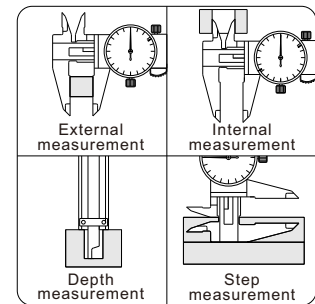
Graduation 0.01mm

Code	Range	Accuracy	a	b	c	h	s	D	L
101-006-11	0-150mm	±0.03mm	21	16.5	16	40	6.5	Ø39	235
101-008-11	0-200mm	±0.03mm	24	19	16	48	6.5	Ø39	288
101-012-11	0-300mm	±0.03mm	28	22	20	62	7.5	Ø44.5	410

Graduation 0.02mm

Code	Range	Accuracy	a	b	c	h	s	D	L
101-006-21	0-150mm	±0.03mm	21	16.5	16	40	6.5	Ø39	235
101-008-21	0-200mm	±0.03mm	24	19	16	48	6.5	Ø39	288
101-012-21	0-300mm	±0.03mm	28	22	20	62	7.5	Ø44.5	410

With manufacturer inspection certificate

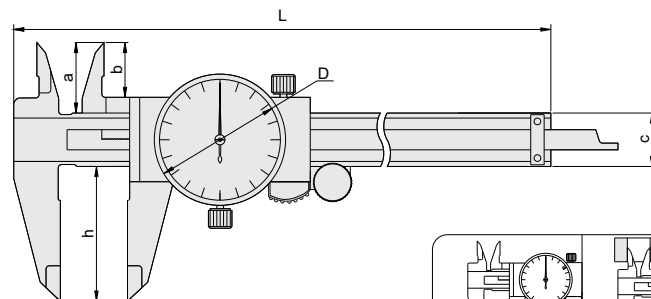


SERIES 101

INCH DIAL CALIPER

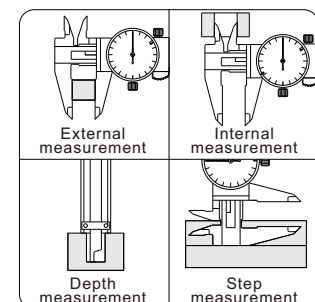


101-006-21I



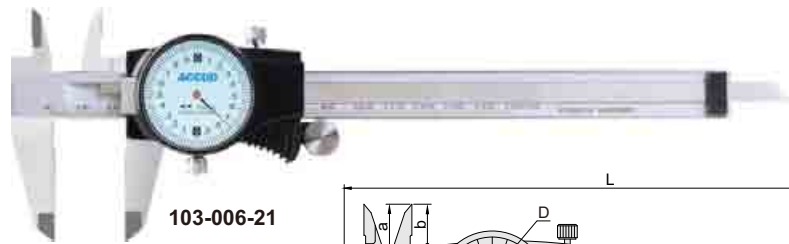
- ◆ Shockproof dial indicator
- ◆ Made of stainless steel

Code	Range	Graduation	Accuracy	a	b	c	h	D	L
101-006-21I	0-6"	0.001in	±0.0015in	21	16.5	16	40	Ø39	233
101-008-21I	0-8"	0.001in	±0.0020in	24	19	16	50	Ø39	288
101-012-21I	0-12"	0.001in	±0.0020in	30	25	20	64	Ø44	390

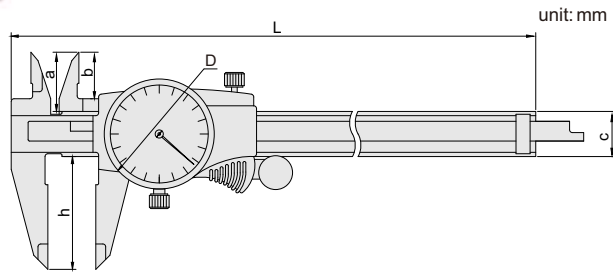


SERIES 103

DIAL CALIPER



103-006-21



- ◆ Shockproof dial indicator
- ◆ Made of stainless steel

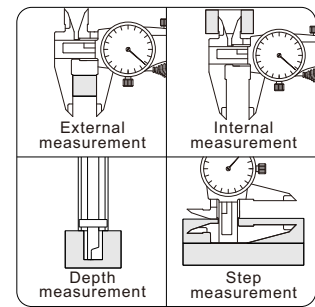
Graduation 0.01mm

Code	Range	Accuracy	a	b	c	h	D	L
103-006-11	0-150mm	±0.03mm	21	16.5	16	40	Ø39	233
103-008-11	0-200mm	±0.03mm	24	19	16	50	Ø39	288
103-012-11	0-300mm	±0.03mm	30	25	20	64	Ø44	390

Graduation 0.02mm

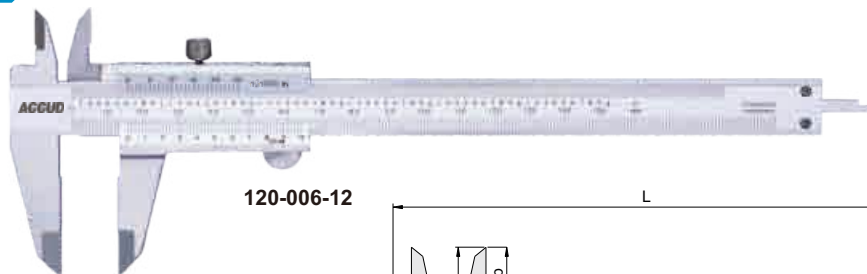
Code	Range	Accuracy	a	b	c	h	D	L
103-006-21	0-150mm	±0.03mm	21	16.5	16	40	Ø39	233
103-008-21	0-200mm	±0.03mm	24	19	16	50	Ø39	288
103-012-21	0-300mm	±0.03mm	30	25	20	64	Ø44	390

With manufacturer inspection certificate

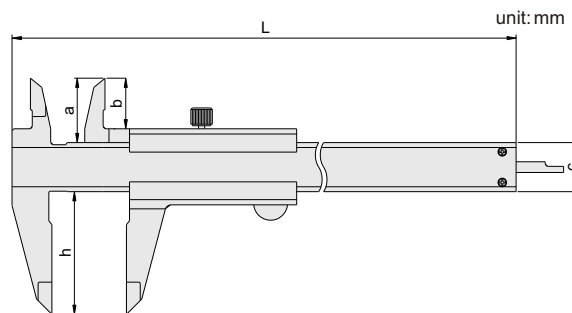


SERIES 120

VERNIER CALIPER



120-006-12



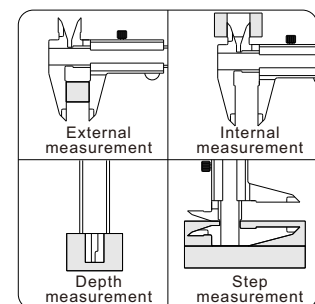
- ◆ Meet DIN862
- ◆ Satin chrome plated reading surface
- ◆ Made of stainless steel

Graduation 0.02mm/0.001"

Code	Range	Accuracy	a	b	c	h	L
120-006-12	0-150mm/0-6"	±0.03mm	20.5	15.5	16	40	235
120-008-12	0-200mm/0-8"	±0.03mm	23.5	19	16	50	290
120-012-12	0-300mm/0-12"	±0.03mm	29.5	24	20	62	414

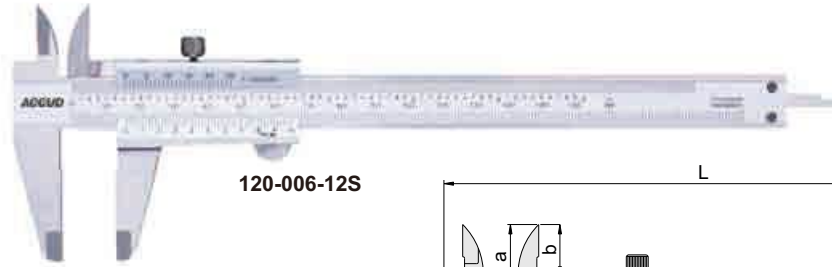
Graduation 0.05mm/1/128"

Code	Range	Accuracy	a	b	c	h	L
120-006-14	0-150mm/0-6"	±0.05mm	20.5	15.5	16	40	235
120-008-14	0-200mm/0-8"	±0.05mm	23.5	19	16	50	290
120-012-14	0-300mm/0-12"	±0.05mm	29.5	24	20	62	414



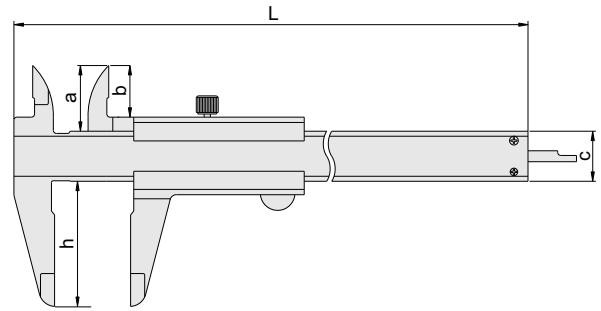


SERIES 120 VERNIER CALIPER



120-006-12S

unit: mm



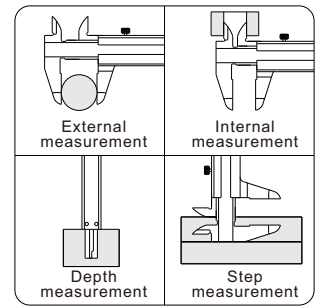
- ◆ Meet DIN862
- ◆ Satin chrome plated reading surface
- ◆ Made of stainless steel

Graduation 0.02mm/0.001"

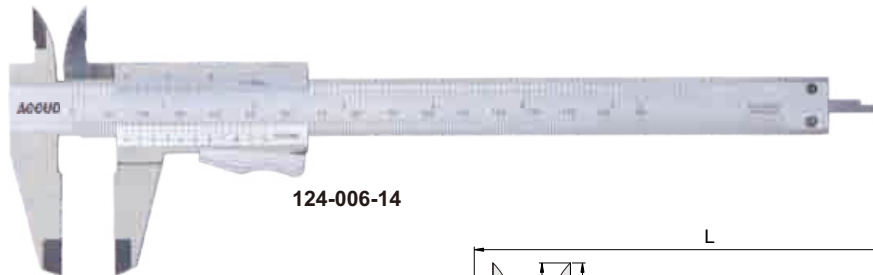
Code	Range	Accuracy	a	b	c	h	L
120-006-12S	0-150mm/0-6"	±0.03mm	20.5	15.5	16	40	235
120-008-12S	0-200mm/0-8"	±0.03mm	23.5	19	16	50	290
120-012-12S	0-300mm/0-12"	±0.03mm	27.5	22	20	64	414

Graduation 0.05mm/1/128"

Code	Range	Accuracy	a	b	c	h	L
120-006-14S	0-150mm/0-6"	±0.05mm	20.5	15.5	16	40	235
120-008-14S	0-200mm/0-8"	±0.05mm	23.5	19	16	50	290
120-012-14S	0-300mm/0-12"	±0.05mm	27.5	22	20	64	414

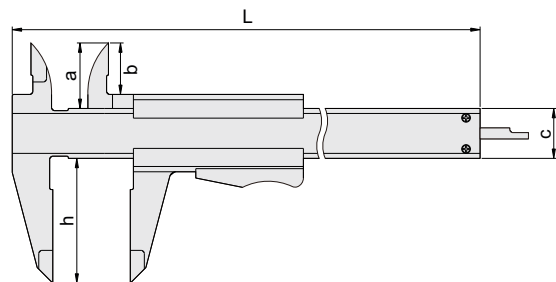


SERIES 124 VERNIER CALIPER



124-006-14

unit: mm



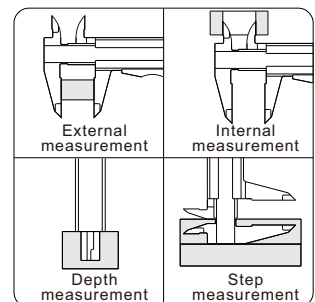
- ◆ With auto thumb clamp
- ◆ Meet DIN862
- ◆ Satin chrome plated reading surface
- ◆ Made of stainless steel

Graduation 0.02mm/0.001"

Code	Range	Accuracy	a	b	c	h	L
124-006-12	0-150mm/0-6"	±0.03mm	20.5	15.5	16	40	235
124-008-12	0-200mm/0-8"	±0.03mm	23.5	19	16	50	290

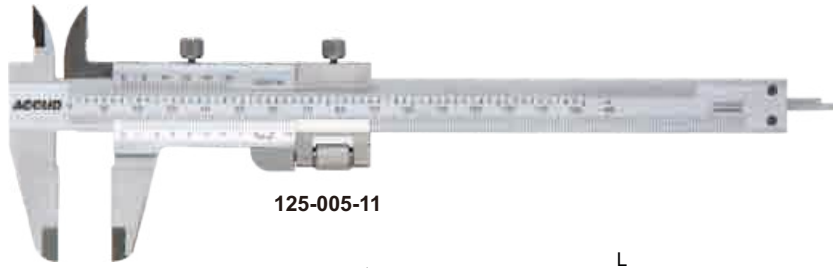
Graduation 0.05mm/1/128"

Code	Range	Accuracy	a	b	c	h	L
124-006-14	0-150mm/0-6"	±0.05mm	20.5	15.5	16	40	235
124-008-14	0-200mm/0-8"	±0.05mm	23.5	19	16	50	290



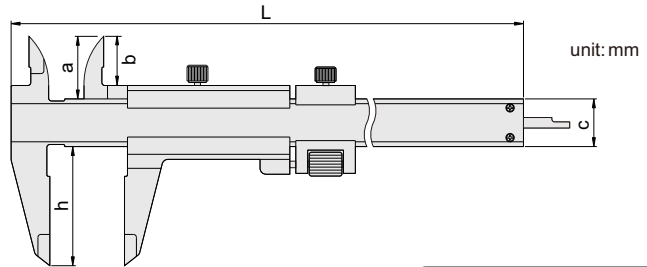
SERIES 125

VERNIER CALIPER

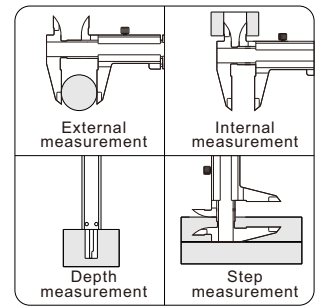


125-005-11

- ◆ With fine adjustment
- ◆ Graduation: 0.02mm/0.001"
- ◆ Meet DIN862
- ◆ Satin chrome plated reading surface
- ◆ Made of stainless steel



unit: mm



Code	Range	Accuracy	a	b	c	h	L
125-005-11	0-130mm/0-5"	±0.03mm	20.5	16.5	16	40	230
125-007-11	0-180mm/0-7"	±0.03mm	23.5	19	16	50	295
125-011-11	0-280mm/0-11"	±0.03mm	27.5	22	20	60	410

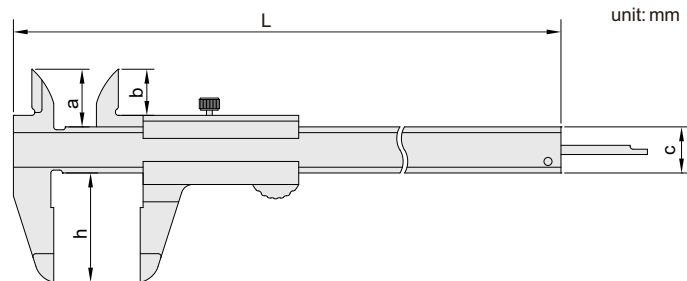
SERIES 121

MINI VERNIER CALIPER

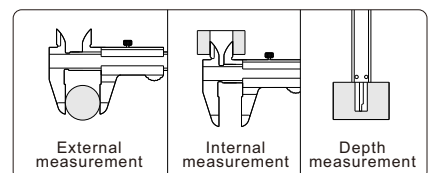


121-003-11

- ◆ Meet DIN862
- ◆ Satin chrome plated reading surface
- ◆ Made of stainless steel



unit: mm

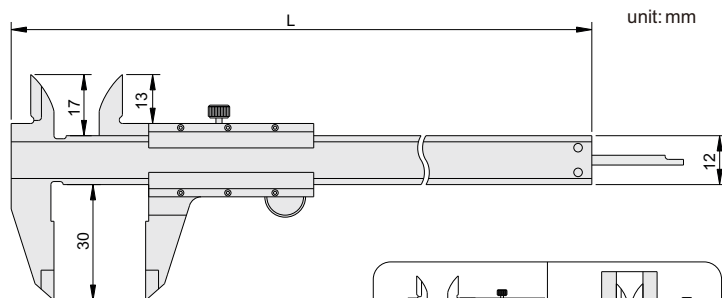
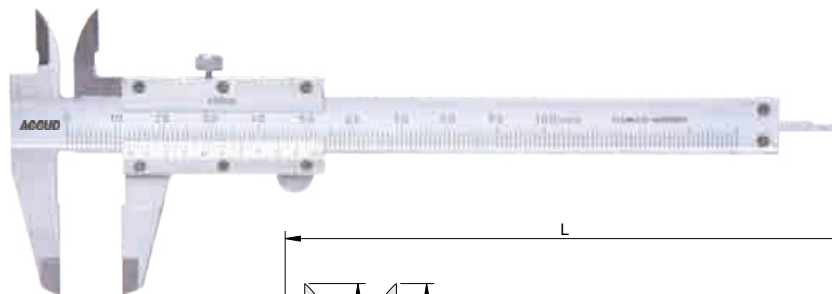


Code	Range	Graduation	Accuracy	a	b	h	L	C
121-003-11	0-70mm	0.05mm	±0.05mm	10	8	19	113	8
121-004-11	0-100mm	0.05mm	±0.05mm	17	13	30	160	12



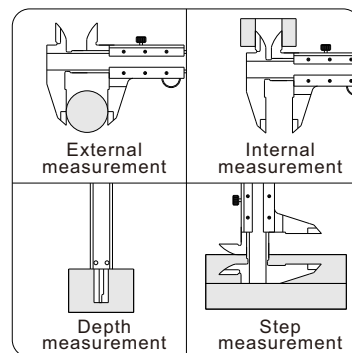
121

MINI VERNIER CALIPER



unit: mm

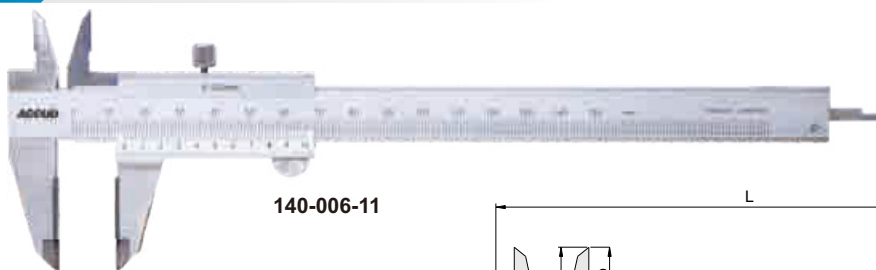
- ◆ Meet DIN862
- ◆ Made of stainless steel
- ◆ Satin chrome plated reading surface



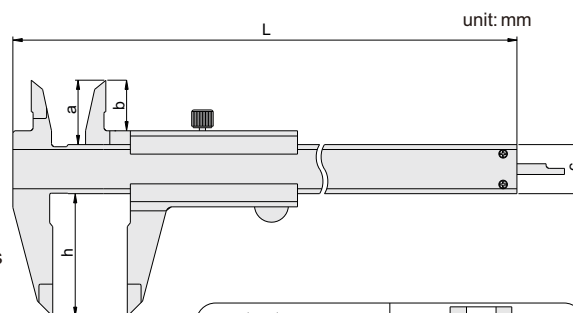
Code	Range	Graduation	Accuracy	L
121-004-11B	0-100mm	0.05mm	±0.05mm	160

SERIES 140

VERNIER CALIPER WITH CARBIDE TIPPED JAWS



140-006-11

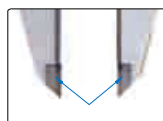


unit: mm

- ◆ Carbide tipped jaws
- ◆ Meet DIN862
- ◆ Satin chrome reading surface
- ◆ Made of stainless steel



Carbide tipped jaws



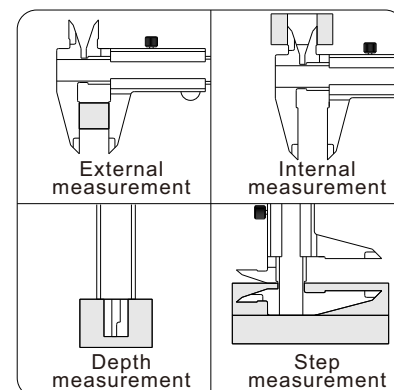
Carbide tipped jaws

Graduation 0.02mm

Code	Range	Accuracy	a	b	c	h	L
140-006-11	0-150mm	±0.03mm	21	16.5	16	40	235
140-008-11	0-200mm	±0.03mm	24	19	16	50	295
140-012-11	0-300mm	±0.03mm	25	20	17	60	410

Graduation 0.05mm

Code	Range	Accuracy	a	b	c	h	L
140-006-13	0-150mm	±0.05mm	21	16.5	16	40	235
140-008-13	0-200mm	±0.05mm	24	19	16	50	295
140-012-13	0-300mm	±0.05mm	25	20	17	60	410



SERIES 123

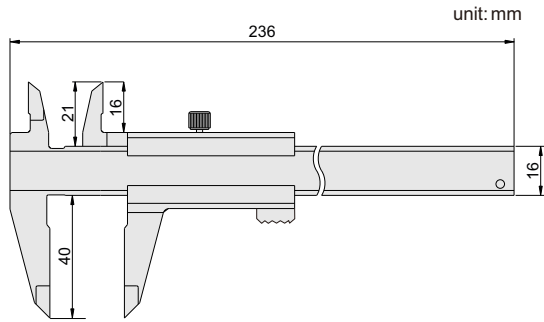
VERNIER CALIPER (ANTI MAGNETIC)

ATTENTION:
Not hardened



123-006-11

- ◆ Suitable for magnetic parts
- ◆ Made of pure copper

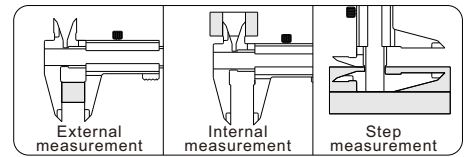


Graduation 0.02mm

Code	Range	Accuracy
123-006-11	0-150mm	±0.05mm

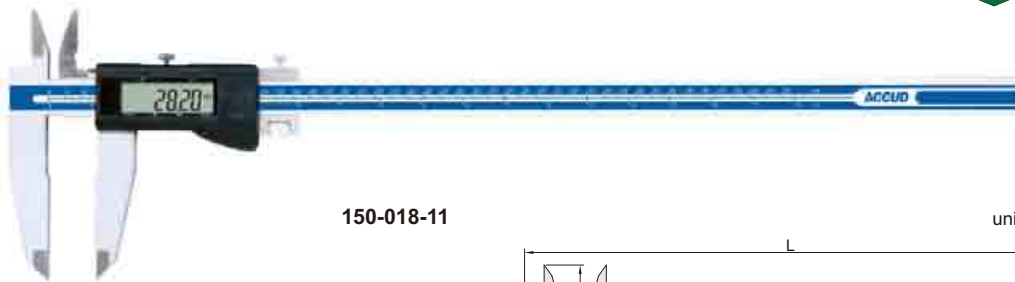
Graduation 0.05mm

Code	Range	Accuracy
123-006-13	0-150mm	±0.05mm



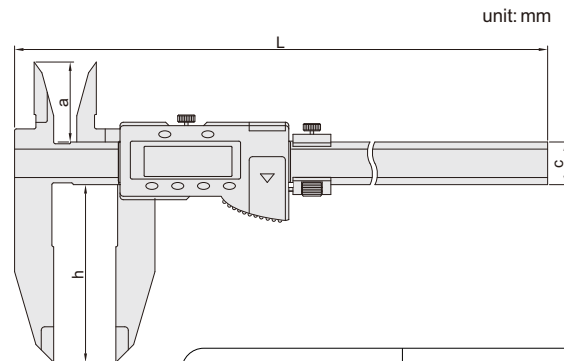
SERIES 150

DIGITAL CALIPER

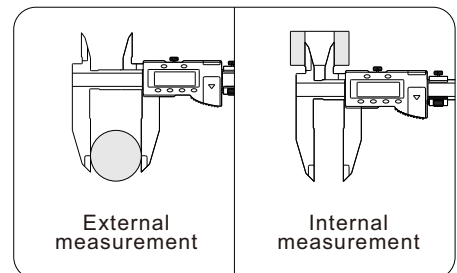


150-018-11

- ◆ Resolution: 0.01mm/0.0005"
- ◆ Button function: on/off, zero, mm/inch, ABS, data preset
- ◆ Data output(cable code:100-15)
- ◆ Made of stainless steel

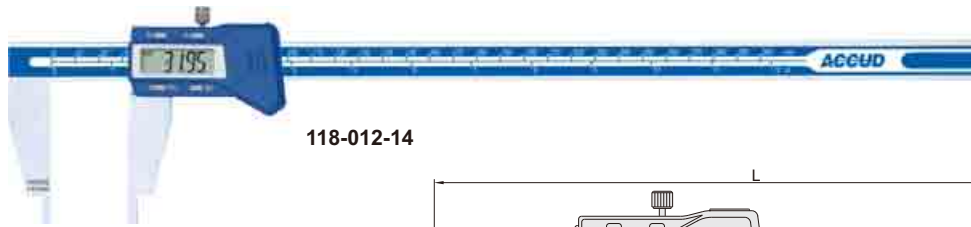


Code	Range	Accuracy	a	c	h	L
150-018-11	0-450mm/0-18"	±0.05mm	45	24	100	610
150-024-11	0-600mm/0-24"	±0.05mm	45	24	100	770
150-040-11	0-1000mm/0-40"	±0.08mm	60	31	150	1220

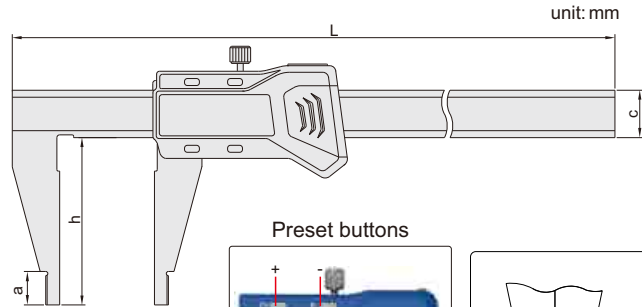


SERIES 118

DIGITAL CALIPER

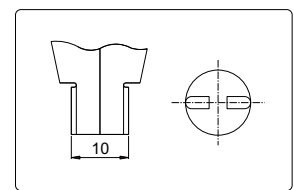


118-012-14

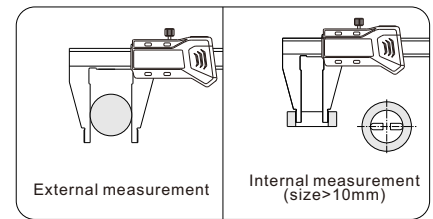


- ◆ Resolution: 0.01mm/0.0005"
- ◆ Buttons: mm/in, SET, preset(P+,P-)
- ◆ Preset: 10mm, don't need to add the width of the jaws on the reading
- ◆ Automatic power on/off
- ◆ Data output(cable code:100-03 or 100-04)
- ◆ Made of stainless steel

Preset buttons



Code	Range	Accuracy	a	c	h	L
118-008-11	0-200mm/0-8"	±0.03mm	12	17	60	320
118-012-14	0-300mm/0-12"	±0.04mm	12	17	60	420
118-012-15	0-300mm/0-12"	±0.06mm	12	17	90	420



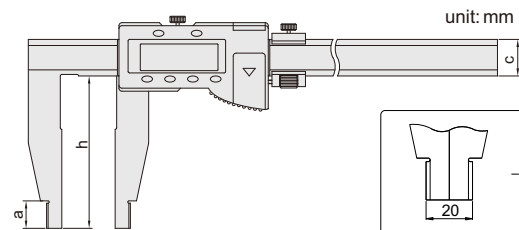
CALIPER

SERIES 118

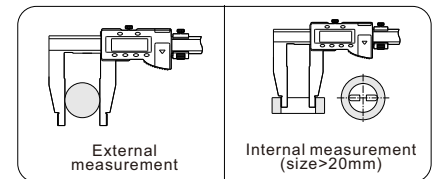
DIGITAL CALIPER



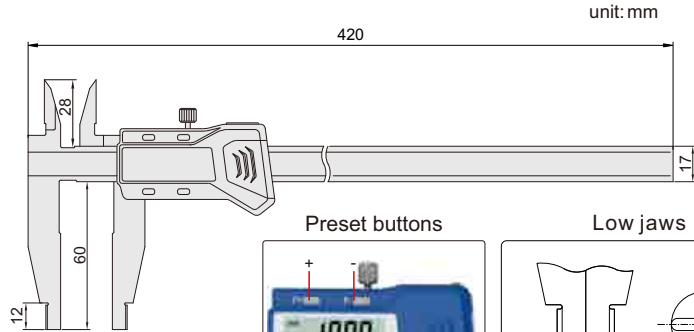
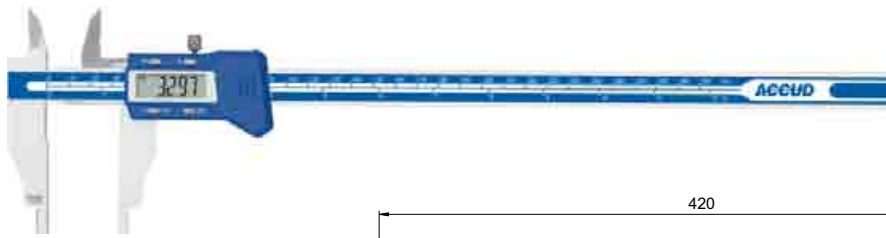
118-020-11



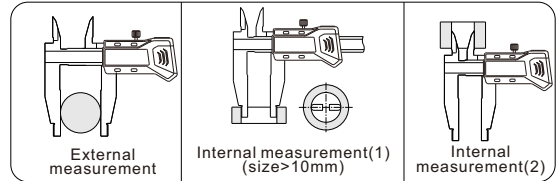
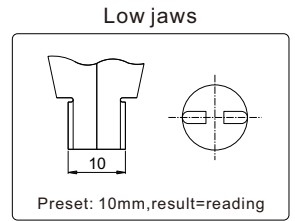
Code	Range	Accuracy	a	c	h
118-012-11	0-300mm/0-12"	±0.04mm	18	24	100
118-012-12	0-300mm/0-12"	±0.05mm	18	24	150
118-012-13	0-300mm/0-12"	±0.05mm	18	24	200
118-020-11	0-500mm/0-20"	±0.05mm	18	24	100
118-020-12	0-500mm/0-20"	±0.06mm	18	24	150
118-020-13	0-500mm/0-20"	±0.06mm	24	32	200
118-020-14	0-500mm/0-20"	±0.08mm	24	42	300
118-024-11	0-600mm/0-24"	±0.05mm	18	24	100
118-024-12	0-600mm/0-24"	±0.06mm	18	24	150
118-024-13	0-600mm/0-24"	±0.06mm	24	32	200
118-024-15	0-600mm/0-24"	±0.08mm	24	42	300
118-032-11	0-800mm/0-32"	±0.07mm	24	32	150
118-040-11	0-1000mm/0-40"	±0.08mm	24	32	150
118-040-12	0-1000mm/0-40"	±0.08mm	24	32	200
118-040-13	0-1000mm/0-40"	±0.10mm	24	42	300
118-060-11	0-1500mm/0-60"	±0.11mm	24	42	150
118-080-11	0-2000mm/0-80"	±0.14mm	24	42	150



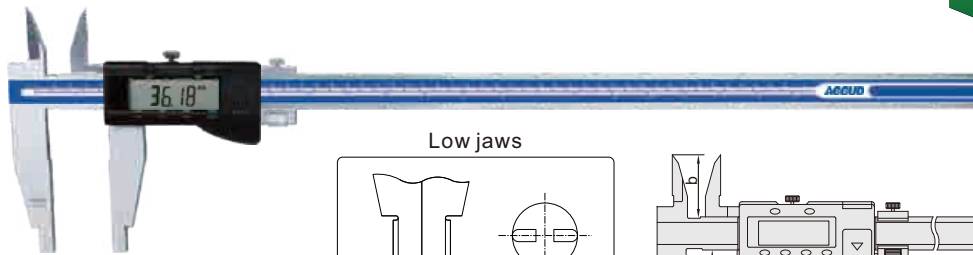
- ◆ Resolution: 0.01mm/0.0005"
- ◆ Buttons: on/off, zero, mm/inch, ABS, data preset
- ◆ Preset: 20mm, don't need to add the width of the jaws on the reading
- ◆ Data output(cable code:100-15)
- ◆ Made of stainless steel



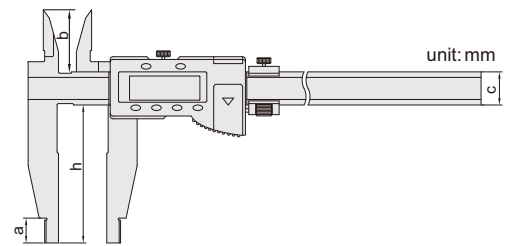
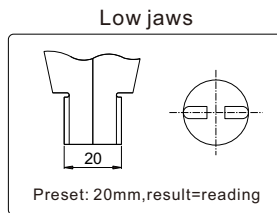
- ◆ Resolution: 0.01mm/0.0005"
- ◆ Buttons: mm/in, SET, preset(P+,P-)
- ◆ Automatic power on/off
- ◆ Data output(cable code:100-03 or 100-04)
- ◆ Made of stainless steel



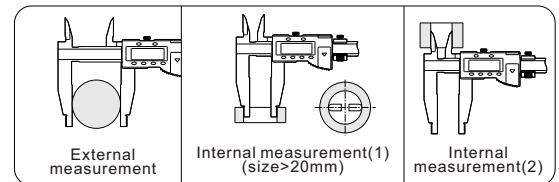
Code	Range	Accuracy
119-012-11	0-300mm/0-12"	±0.04mm



119-020-11



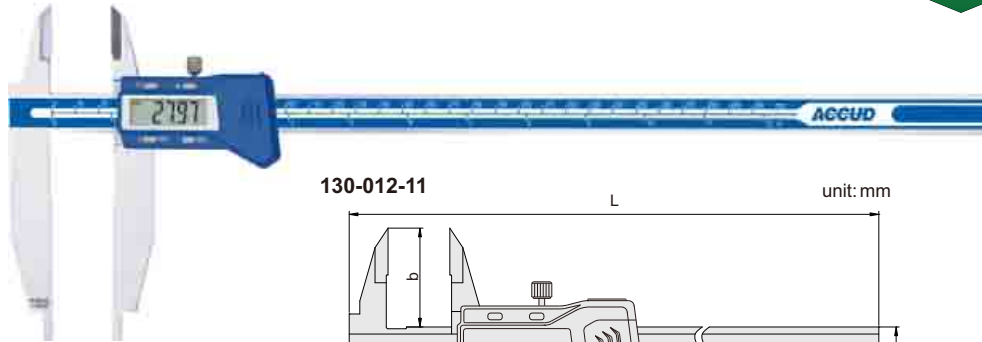
Code	Range	Accuracy	a	b	c	h
119-012-12	0-300mm/0-12"	±0.05mm	18	45	24	100
119-018-11	0-450mm/0-18"	±0.05mm	18	45	24	100
119-020-11	0-500mm/0-20"	±0.05mm	18	45	24	100
119-020-12	0-500mm/0-20"	±0.06mm	18	45	24	150
119-020-13	0-500mm/0-20"	±0.06mm	24	60	32	200
119-024-11	0-600mm/0-24"	±0.05mm	18	45	24	100
119-024-12	0-600mm/0-24"	±0.06mm	18	45	24	150
119-024-14	0-600mm/0-24"	±0.06mm	24	60	32	200
119-040-11	0-1000mm/0-40"	±0.08mm	24	60	32	150
119-040-12	0-1000mm/0-40"	±0.08mm	24	60	32	200
119-060-11	0-1500mm/0-60"	±0.11mm	24	60	42	150
119-060-12	0-1500mm/0-60"	±0.12mm	24	60	42	200



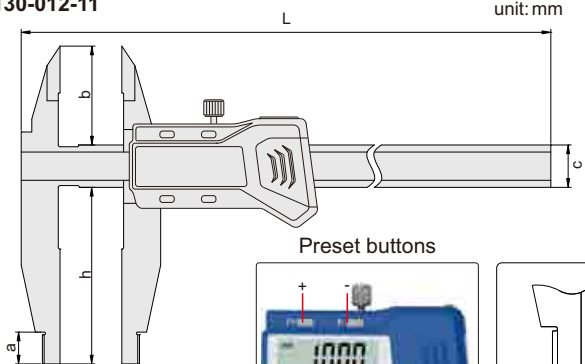
- ◆ Resolution: 0.01mm/0.0005"
- ◆ Buttons: on/off, zero, mm/inch, ABS, data preset
- ◆ Data output(cable code:100-15)
- ◆ Made of stainless steel

SERIES 130

DIGITAL CALIPER



130-012-11

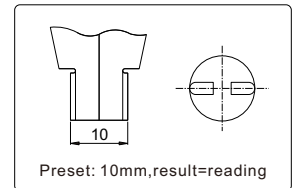


- ◆ Resolution: 0.01mm/0.0005"
- ◆ Buttons: mm/in, SET, preset(P+,P-)
- ◆ Automatic power on/off
- ◆ Data output(cable code: 100-03 or 100-04)
- ◆ Made of stainless steel

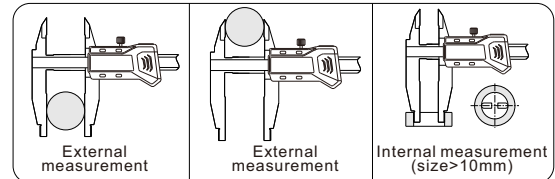
Preset buttons



Low jaws

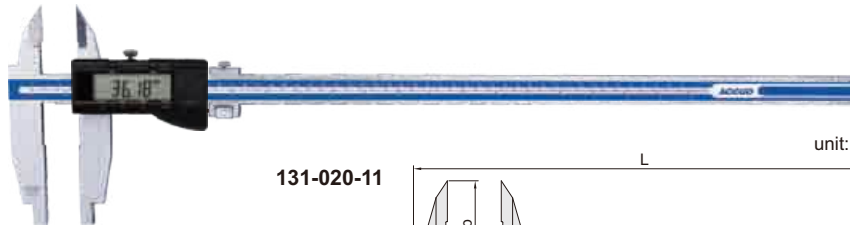


Code	Range	Accuracy	a	b	c	h	L
130-008-11	0-200mm/0-8"	±0.03mm	12	38	17	60	320
130-012-11	0-300mm/0-12"	±0.04mm	12	38	17	60	420
130-012-12	0-300mm/0-12"	±0.04mm	12	38	17	90	420

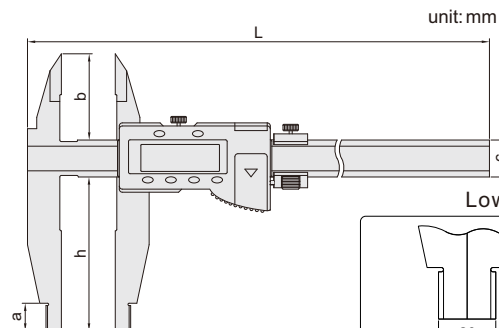


SERIES 131

DIGITAL CALIPER

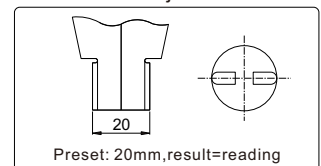


131-020-11

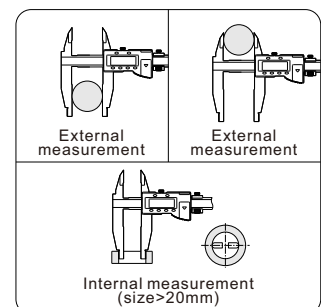


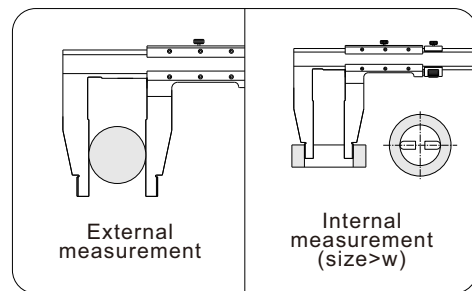
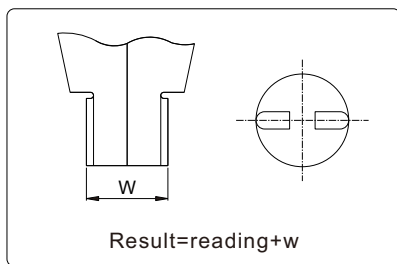
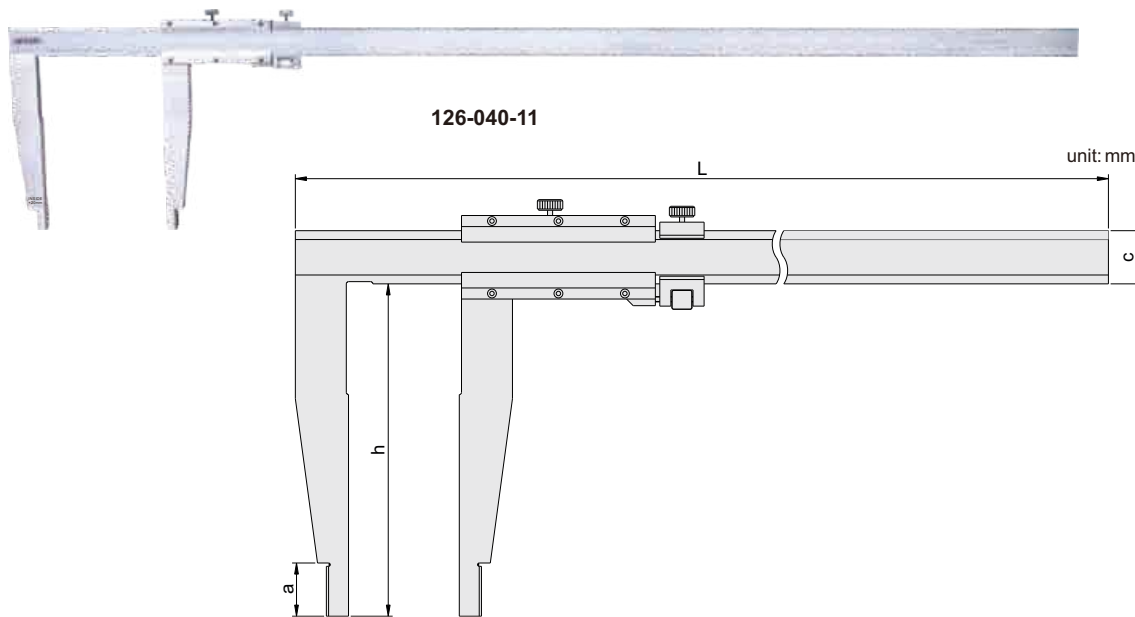
- ◆ Resolution: 0.01mm/0.0005"
- ◆ Buttons: on/off, zero, mm/inch, ABS, data preset
- ◆ Data output(cable code: 100-15)
- ◆ Made of stainless steel

Low jaws



Code	Range	Accuracy	a	b	c	h	L
131-012-11	0-300mm/0-12"	±0.05mm	18	56	24	100	420
131-020-11	0-500mm/0-20"	±0.05mm	18	56	24	100	675
131-020-12	0-500mm/0-20"	±0.06mm	18	56	24	150	675
131-024-11	0-600mm/0-24"	±0.05mm	18	56	24	100	770
131-028-11	0-800mm/0-32"	±0.07mm	24	67	31	150	1025
131-040-11	0-1000mm/0-40"	±0.08mm	24	67	31	150	1220





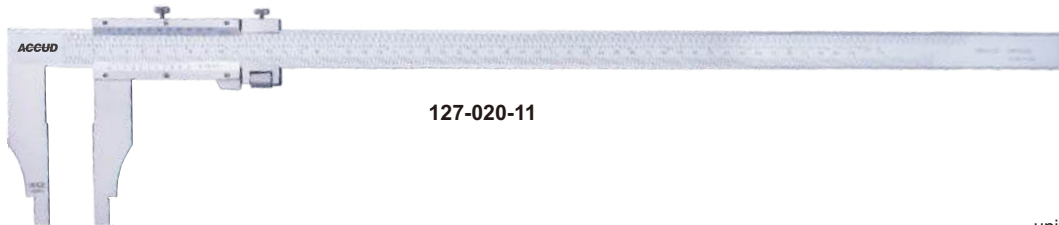
- ◆ With fine adjustment
- ◆ Made of stainless steel
- ◆ Satin chrome reading surface

Graduation 0.02mm/0.001"

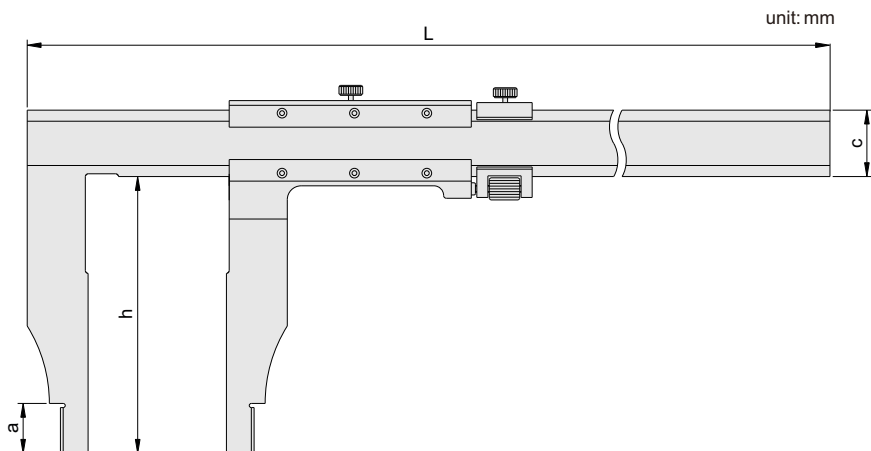
Code	Range	Accuracy	a	c	h	w	L
126-012-11	0-300mm/0-12"	±0.05mm	12	17	90	10	410
126-012-12	0-300mm/0-12"	±0.05mm	18	24	150	20	470
126-020-11	0-500mm/0-20"	±0.06mm	18	24	150	20	670
126-020-12	0-500mm/0-20"	±0.06mm	18	24	200	20	670
126-024-11	0-600mm/0-24"	±0.06mm	18	24	150	20	770
126-024-12	0-600mm/0-24"	±0.08mm	24	32	250	20	820
126-040-11	0-1000mm/0-40"	±0.08mm	24	32	200	20	1220
126-040-12	0-1000mm/0-40"	±0.11mm	24	32	300	20	1330
126-120-12	0-3000mm/0-120"	±0.26mm	24	50	300	20	3360

Graduation 0.05mm/1/128"

Code	Range	Accuracy	a	c	h	w	L
126-012-51	0-300mm/0-12"	±0.07mm	12	17	90	10	410
126-012-52	0-300mm/0-12"	±0.07mm	18	24	150	20	470
126-020-51	0-500mm/0-20"	±0.08mm	18	24	150	20	670
126-020-52	0-500mm/0-20"	±0.08mm	18	24	200	20	670
126-024-51	0-600mm/0-24"	±0.08mm	18	24	150	20	770
126-024-52	0-600mm/0-24"	±0.08mm	24	32	250	20	820
126-040-51	0-1000mm/0-40"	±0.12mm	24	32	200	20	1220
126-040-52	0-1000mm/0-40"	±0.12mm	24	32	300	20	1330
126-120-52	0-3000mm/0-120"	±0.31mm	24	50	300	20	3360



127-020-11

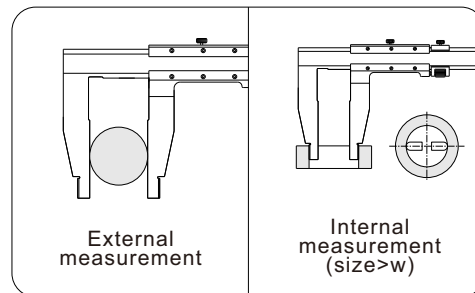
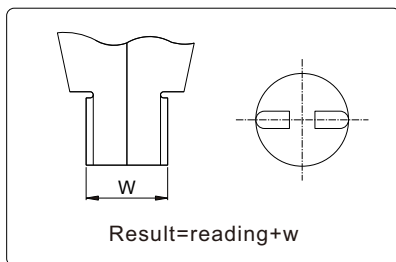


unit: mm



CALIPER

- ◆ With fine adjustment
- ◆ Made of stainless steel
- ◆ Satin chrome reading surface

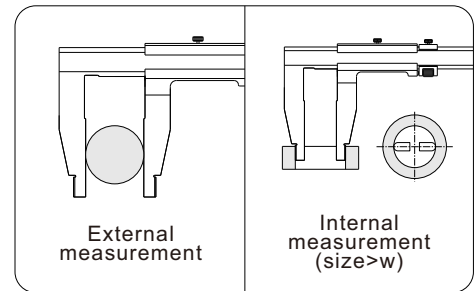
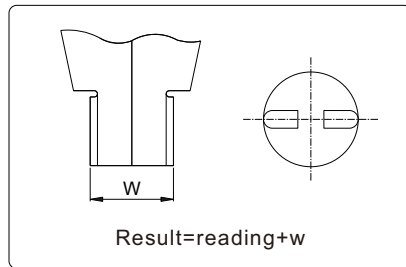
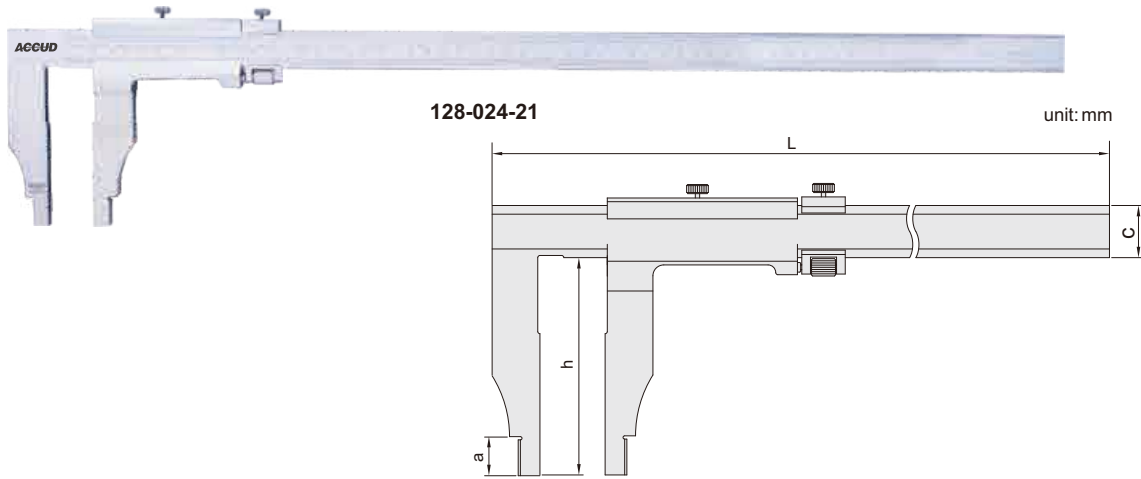


Graduation 0.02mm/0.001"

Code	Range	Accuracy	a	c	h	w	L
127-012-11	0-300mm/0-12"	±0.05mm	10	20	75	10	410
127-020-11	0-500mm/0-20"	±0.05mm	18	24	100	20	670
127-024-11	0-600mm/0-24"	±0.05mm	18	24	100	20	770
127-032-11	0-800mm/0-32"	±0.08mm	24	32	150	20	1020
127-040-11	0-1000mm/0-40"	±0.08mm	24	32	140	20	1216
127-060-11	0-1500mm/0-60"	±0.11mm	24	42	180	20	1830
127-080-11	0-2000mm/0-80"	±0.14mm	24	42	200	20	2320

Graduation 0.05mm/1/128"

Code	Range	Accuracy	a	c	h	w	L
127-012-51	0-300mm/0-12"	±0.05mm	10	20	75	10	410
127-020-51	0-500mm/0-20"	±0.08mm	18	24	100	20	670
127-024-51	0-600mm/0-24"	±0.08mm	18	24	100	20	770
127-040-51	0-1000mm/0-40"	±0.10mm	24	32	140	20	1216
127-060-51	0-1500mm/0-60"	±0.15mm	24	42	180	20	1830
127-080-51	0-2000mm/0-80"	±0.20mm	24	42	200	20	2320



- ◆ Made of stainless steel
- ◆ With fine adjustment
- ◆ Satin chrome plated reading surface

Graduation 0.02mm/0.001"

Code	Range	Accuracy	a	c	h	w	L
128-008-21	0-200mm/0-8"	±0.05mm	12	20	100	10	330
128-012-21	0-300mm/0-12"	±0.05mm	18	24	90	20	410
128-012-22	0-300mm/0-12"	±0.07mm	18	24	150	20	410
128-020-21	0-500mm/0-20"	±0.05mm	18	24	100	20	670
128-020-22	0-500mm/0-20"	±0.06mm	18	24	150	20	670
128-024-21	0-600mm/0-24"	±0.06mm	18	24	100	20	770
128-024-22	0-600mm/0-24"	±0.08mm	18	24	150	20	770
128-040-21	0-1000mm/0-40"	±0.08mm	24	32	150	20	1230
128-060-21	0-1500mm/0-60"	±0.11mm	24	42	150	20	1820
128-080-21	0-2000mm/0-80"	±0.14mm	24	42	150	20	2230

Graduation 0.05mm/1/128"

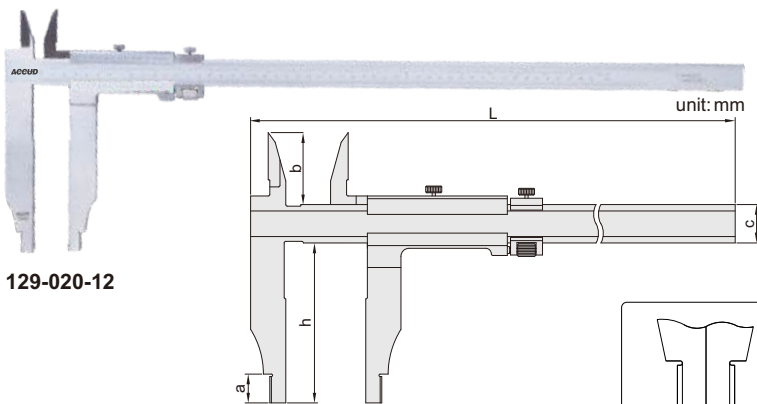
Code	Range	Accuracy	a	c	h	w	L
128-008-51	0-200mm/0-8"	±0.06mm	12	20	100	20	330
128-012-51	0-300mm/0-12"	±0.07mm	18	24	90	20	410
128-012-52	0-300mm/0-12"	±0.07mm	18	24	150	20	410
128-020-51	0-500mm/0-20"	±0.08mm	18	24	100	20	670
128-020-52	0-500mm/0-20"	±0.08mm	18	24	150	20	670
128-024-51	0-600mm/0-24"	±0.08mm	18	24	100	20	770
128-024-52	0-600mm/0-24"	±0.09mm	18	24	150	20	770
128-032-51	0-800mm/0-32"	±0.09mm	24	31	150	20	1030
128-040-51	0-1000mm/0-40"	±0.12mm	24	32	150	20	1230
128-060-51	0-1500mm/0-60"	±0.16mm	24	42	150	20	1820
128-080-51	0-2000mm/0-80"	±0.20mm	24	42	150	20	2230



SERIES 129

VERNIER CALIPER

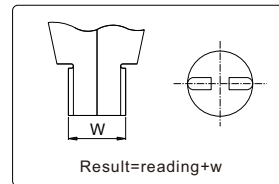
- ◆ Made of stainless steel
- ◆ With fine adjustment
- ◆ Satin chrome plated reading surface



129-020-12

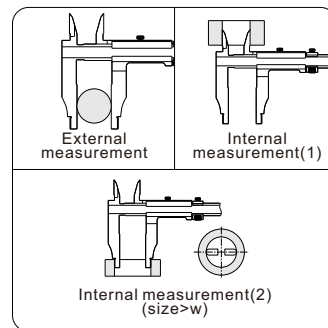
Graduation 0.02mm/0.001"

Code	Range	Accuracy	a	b	c	h	w	L
129-020-11	0-500mm/0-20"	±0.05mm	18	45	24	100	20	670
129-020-12	0-500mm/0-20"	±0.06mm	18	45	24	150	20	670
129-024-11	0-600mm/0-24"	±0.06mm	18	45	24	100	20	770
129-040-11	0-1000mm/0-40"	±0.08mm	24	60	31	150	20	1230



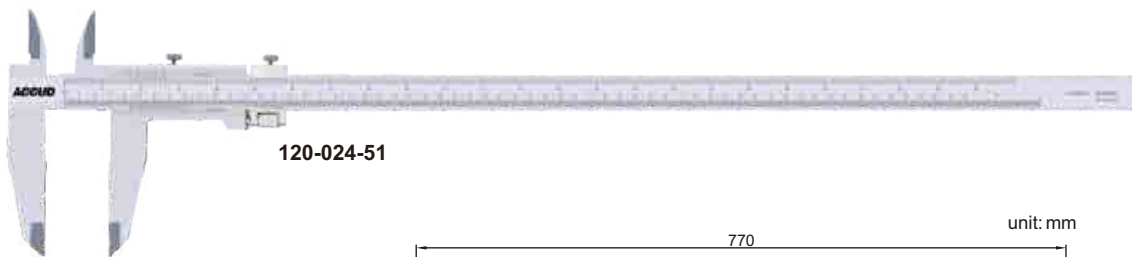
Graduation 0.05mm/1/128"

Code	Range	Accuracy	a	b	c	h	w	L
129-020-51	0-500mm/0-20"	±0.07mm	18	45	24	100	20	670
129-020-52	0-500mm/0-20"	±0.08mm	18	45	24	150	20	670
129-024-51	0-600mm/0-24"	±0.08mm	18	45	24	100	20	770
129-040-51	0-1000mm/0-40"	±0.12mm	24	60	31	150	20	1230



SERIES 120

VERNIER CALIPER (SOLID TYPE)



120-024-51

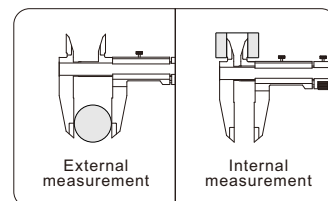
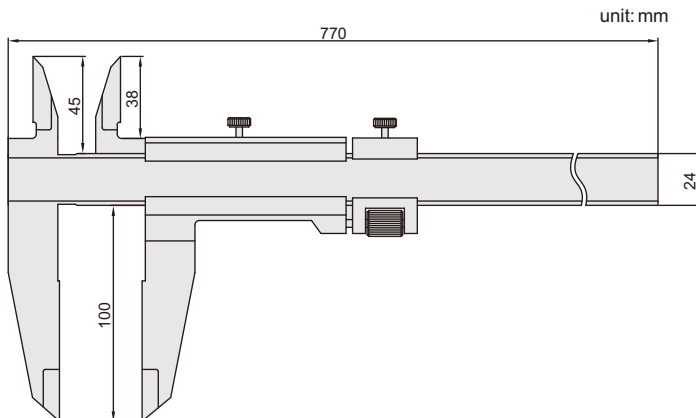
- ◆ Made of stainless steel
- ◆ Satin chrome plated reading surface

Graduation 0.02mm/0.001"

code	Range	Accuracy
120-024-11	0-600mm/0-24"	±0.06mm

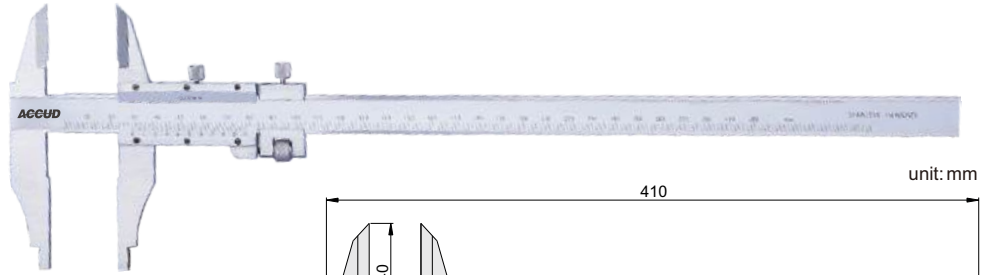
Graduation 0.05mm/1/128"

code	Range	Accuracy
120-024-51	0-600mm/0-24"	±0.08mm

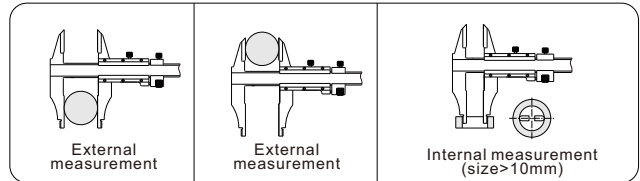
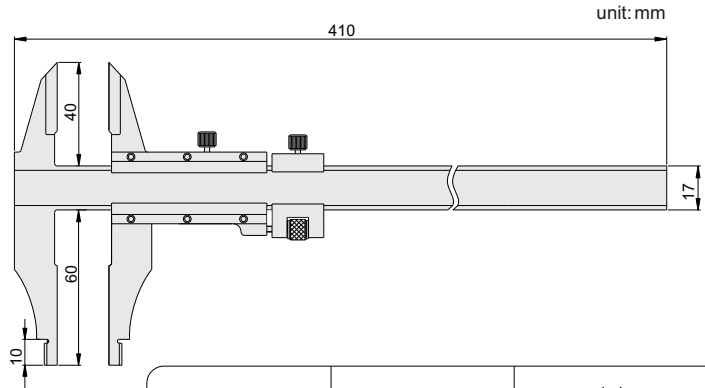
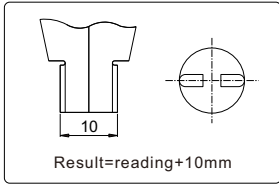


122

VERNIER CALIPER



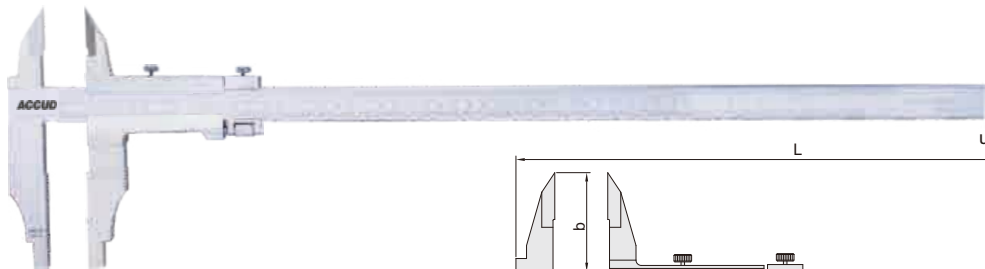
- ◆ With fine adjustment
- ◆ Made of stainless steel
- ◆ Satin chrome reading surface



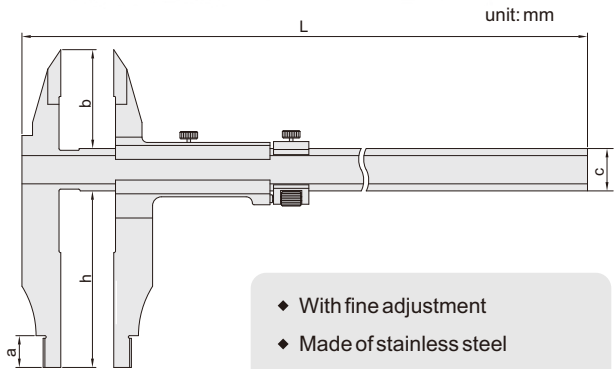
Code	Range	Graduation	Accuracy
122-012-11	0-300mm	0.02mm	±0.03mm

SERIES 122

VERNIER CALIPER



122-020-21



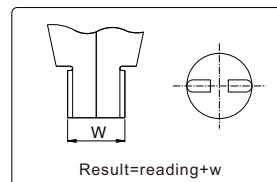
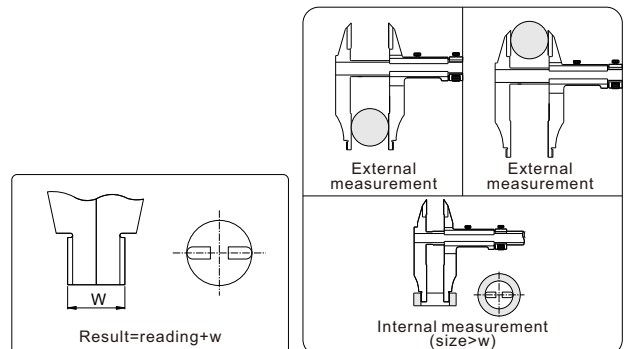
- ◆ With fine adjustment
- ◆ Made of stainless steel
- ◆ Satin chrome reading surface

Graduation: 0.02mm/0.001"

Code	Range	Accuracy	h	a	b	c	w	L
122-012-21	0-300mm/0-12"	±0.05mm	90	12	40	20	10	410
122-020-21	0-500mm/0-20"	±0.05mm	100	18	56	24	20	670
122-020-22	0-500mm/0-20"	±0.06mm	150	18	56	24	20	670
122-032-21	0-800mm/0-32"	±0.07mm	150	24	67	31	20	1020
122-040-21	0-1000mm/0-40"	±0.08mm	150	24	67	31	20	1220

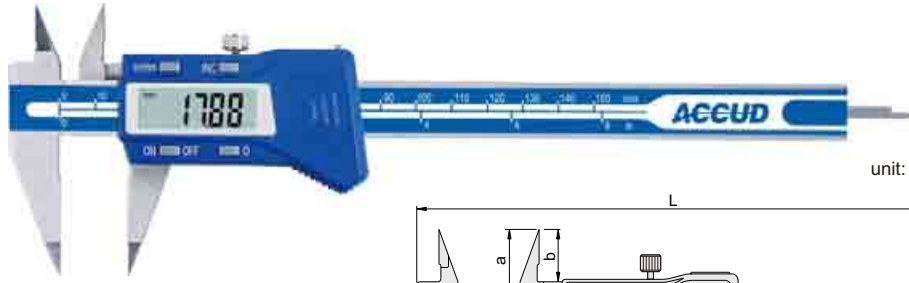
Graduation: 0.05mm/1/128"

Code	Range	Accuracy	h	a	b	c	w	L
122-012-51	0-300mm/0-12"	±0.07mm	90	12	40	20	10	410
122-020-51	0-500mm/0-20"	±0.07mm	100	18	56	24	20	670
122-020-52	0-500mm/0-20"	±0.08mm	150	18	56	24	20	670
122-032-51	0-800mm/0-32"	±0.09mm	150	24	67	31	20	1020
122-040-51	0-1000mm/0-40"	±0.12mm	150	24	67	31	20	1220



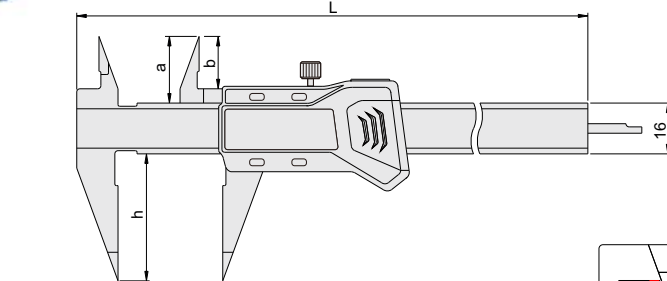
SERIES 138

DIGITAL POINT CALIPER

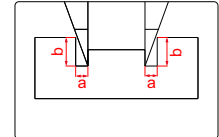
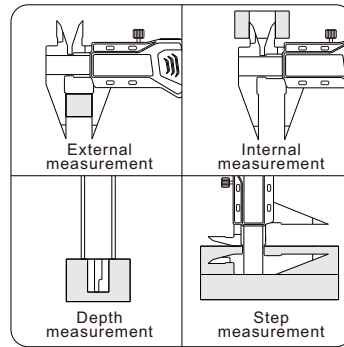
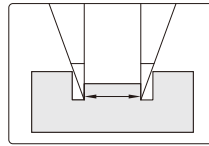


138-006-11

- ◆ Measure small holes or grooves
- ◆ Resolution: 0.01mm/0.0005"
- ◆ Automatic power on/off
- ◆ Buttons: on/off, zero, mm/in, INC
- ◆ Data output(cable code: 100-03 or 100-04)
- ◆ Made of stainless steel



unit: mm



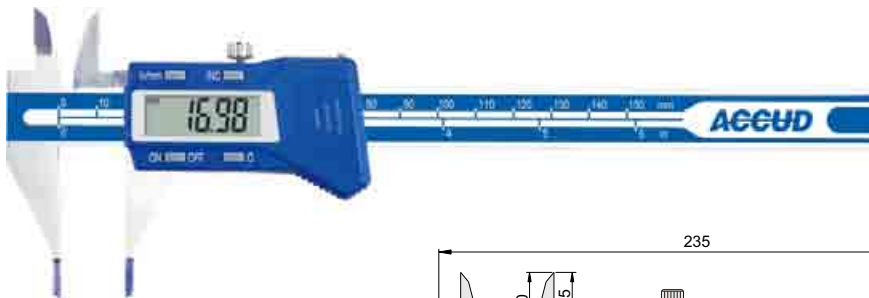
(mm)

a	b
1	2.5
2	5
3	7.5
4	10
5	12.5
6	15

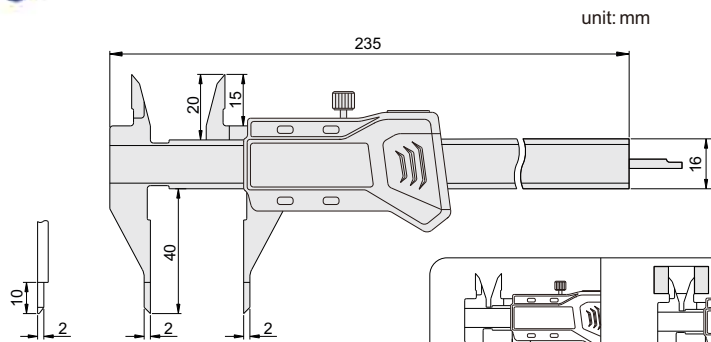
Code	Range	Accuracy	a	b	h	L
138-006-11	0-150mm/0-6"	±0.03mm	21	16	40	236
138-008-11	0-200mm/0-8"	±0.03mm	24	19	50	286
138-012-11	0-300mm/0-12"	±0.03mm	25	21	60	400

168

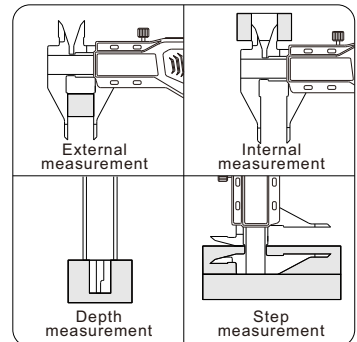
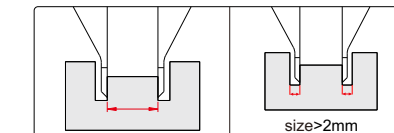
DIGITAL SMALL POINT CALIPER



- ◆ Small point jaws fits into small grooves and recesses
- ◆ Resolution: 0.01mm/0.0005"
- ◆ Buttons: on/off, zero, mm/in, INC
- ◆ Automatic power on/off
- ◆ Data output(cable code: 100-03 or 100-04)
- ◆ Made of stainless steel



unit: mm



Code	Range	Accuracy
168-006-11	0-150mm/0-6"	±0.03mm

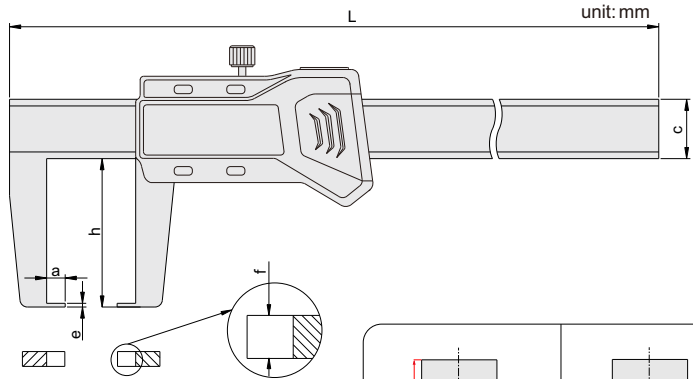
SERIES 133

DIGITAL OUTSIDE NECK CALIPER

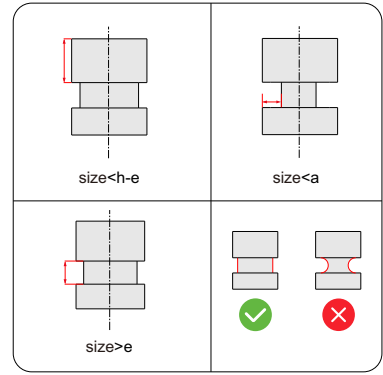
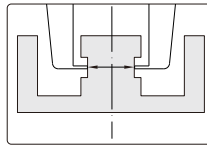


133-006-11

- ◆ Measure wall thickness and recesses
- ◆ Resolution: 0.01mm/0.0005"
- ◆ Automatic power on/off
- ◆ Buttons: on/off, zero, mm/in, INC
- ◆ Data output
- ◆ Made of stainless steel



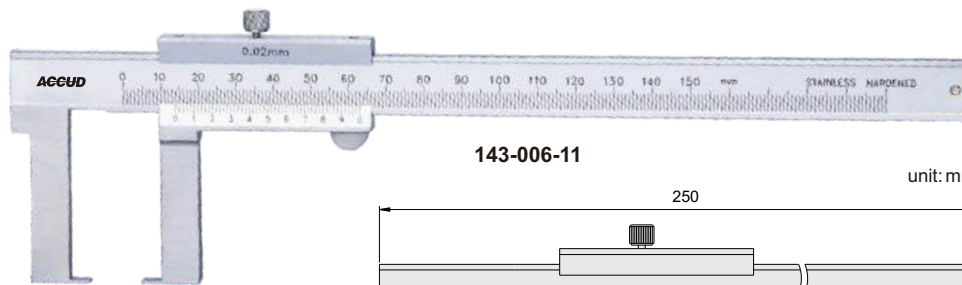
133-012-12



Code	Range	Accuracy	a	c	e	f	h	L
133-006-11	0-150mm/0-6"	±0.04mm	5	16	1	4	40	250
133-008-11	0-200mm/0-8"	±0.05mm	9	16	1.5	4	80	310
133-012-11	0-300mm/0-12"	±0.05mm	10	16	1.5	4	60	410
133-012-12	0-300mm/0-12"	±0.06mm	12	24	2	5	150	490

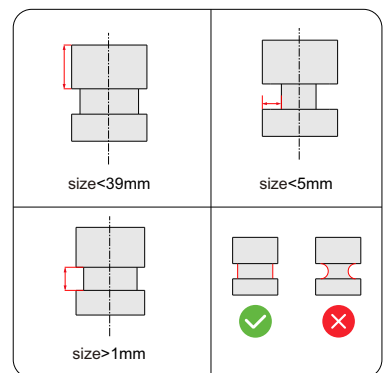
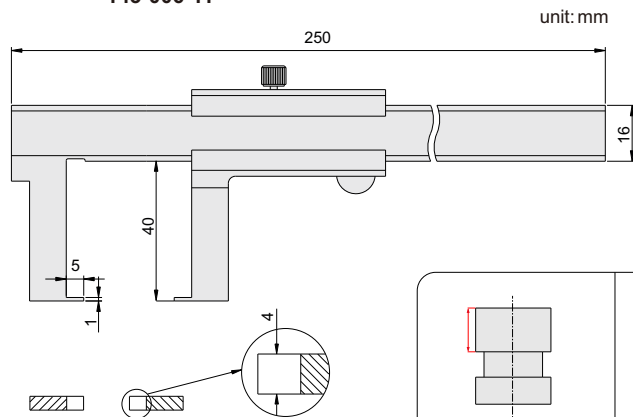
SERIES 143

OUTSIDE NECK VERNIER CALIPER



143-006-11

- ◆ Measure wall thickness and recesses
- ◆ Made of stainless steel
- ◆ Satin chrome plated reading surface



Graduation 0.02mm

Code	Range	Accuracy
143-006-11	0-150mm	±0.04mm

Graduation 0.05mm

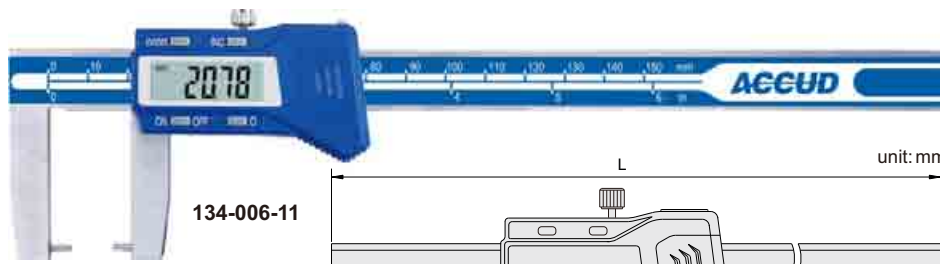
Code	Range	Accuracy
143-006-13	0-150mm	±0.05mm

SERIES 134

DIGITAL OUTSIDE POINT CALIPER

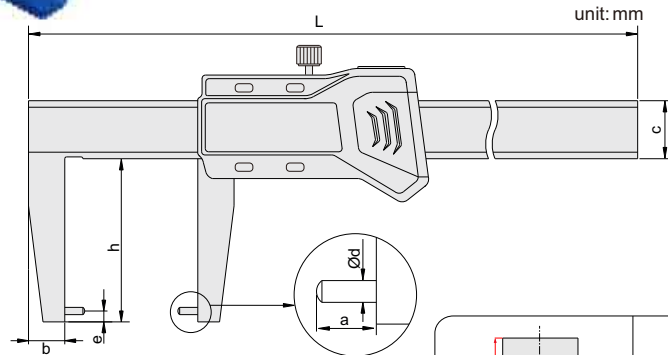


VIDEO

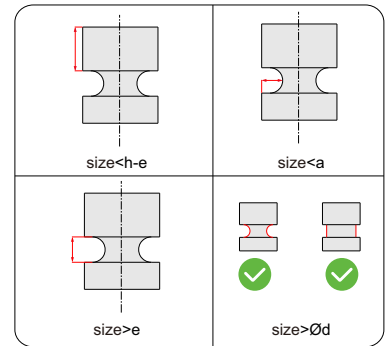
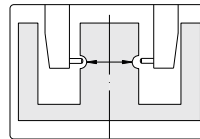


134-006-11

- ◆ Measure wall thickness of inside bores and recesses
- ◆ Resolution: 0.01mm/0.0005"
- ◆ Automatic power on/off
- ◆ Buttons: on/off, zero, mm/in, INC
- ◆ Data output
- ◆ Made of stainless steel



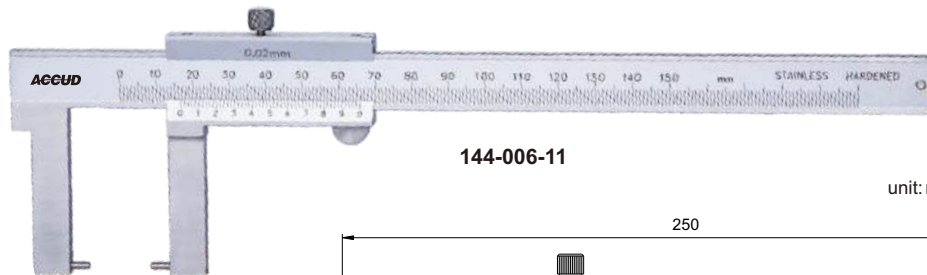
For range 300mm



Code	Range	Accuracy	a	b	c	Ød	e	h	L
134-006-11	0-150mm/0-6"	±0.04mm	5	10	16	2	2	40	250
134-008-11	0-200mm/0-8"	±0.05mm	9	14	16	3	3	80	310
134-012-12	0-300mm/0-12"	±0.06mm	12	20	24	3	3	150	490

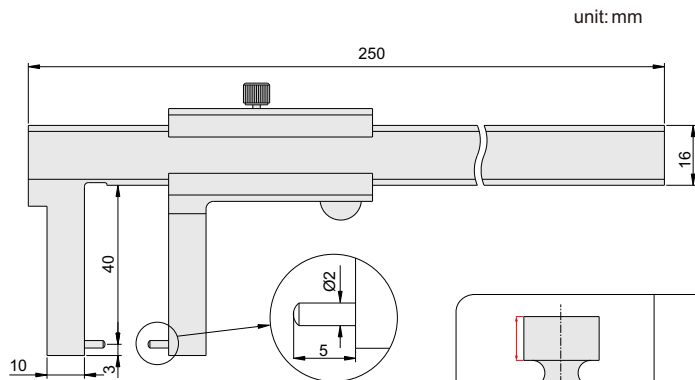
SERIES 144

OUTSIDE POINT VERNIER CALIPER



144-006-11

- ◆ Measure wall thickness of inside bores and recesses
- ◆ Made of stainless steel
- ◆ Satin chrome plated reading surface

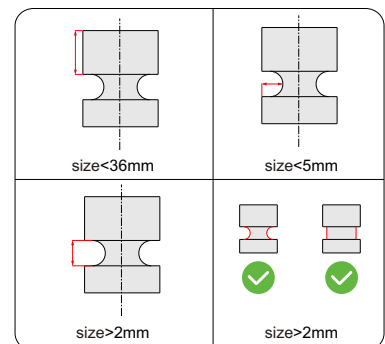
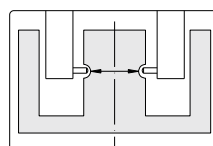


Graduation 0.02mm

Code	Range	Accuracy
144-006-11	0-150mm	±0.04mm

Graduation 0.05mm

Code	Range	Accuracy
144-006-13	0-150mm	±0.05mm

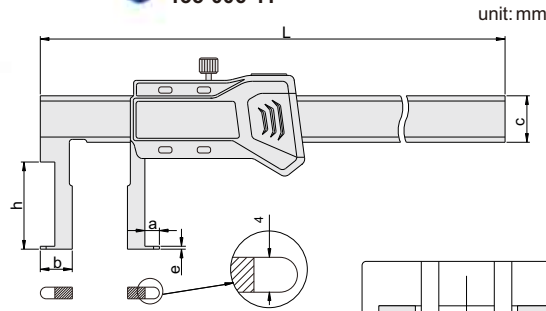
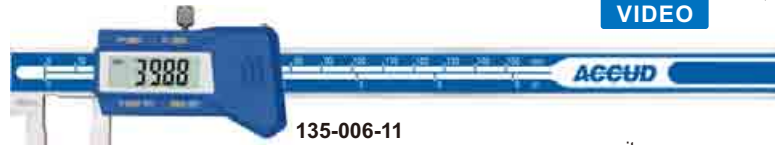


SERIES 135

DIGITAL INSIDE NECK CALIPER



- ◆ Measure the grooves
- ◆ Resolution: 0.01mm/0.0005"
- ◆ Automatic power on/off
- ◆ Buttons: mm/in, SET, preset(P+,P-)
- ◆ Preset: 2b, don't need to add the width of the jaws on the reading
- ◆ Data output
- ◆ Made of stainless steel



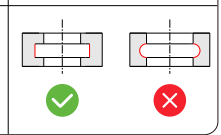
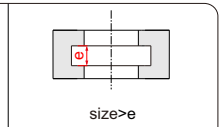
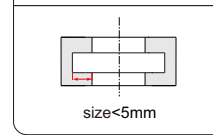
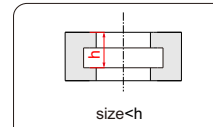
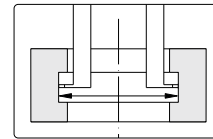
For range 500mm



Preset buttons

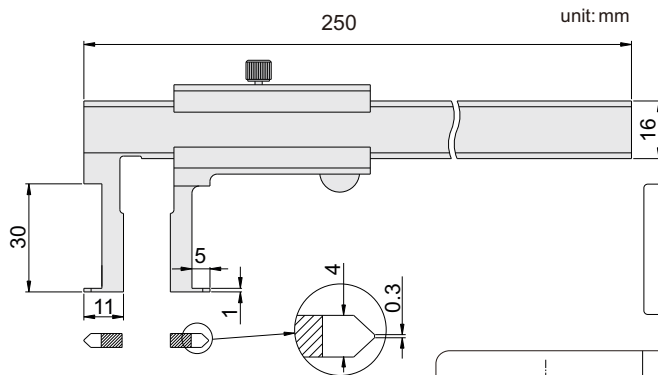
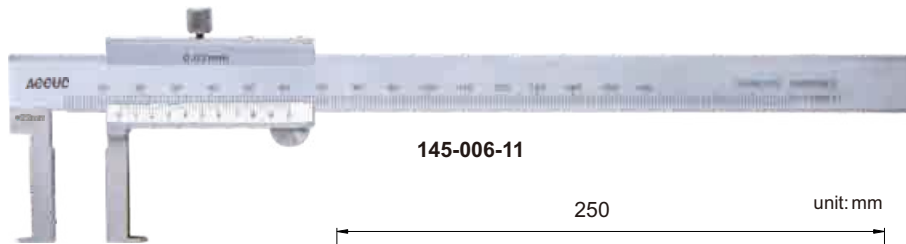


Code	Range	Accuracy	a	b	c	e	h	L
135-006-11	22-150mm	±0.04mm	5	11	16	1	30	250
135-008-11	25-200mm	±0.04mm	5	12.5	16	1	40	310
135-012-11	30-300mm	±0.05mm	5	15	17	1.5	50	410
135-020-11	80-500mm	±0.07mm	16	40	24	4	90	680
135-006-12	35-150mm	±0.06mm	6	17.5	16	1.5	60	250
135-008-12	40-200mm	±0.06mm	7	20	16	1.5	70	310
135-012-12	50-300mm	±0.07mm	8	25	16	1.5	80	410
135-020-12	80-500mm	±0.08mm	16	40	24	5	150	680



SERIES 145

INSIDE NECK VERNIER CALIPER



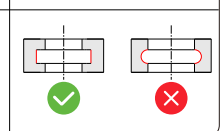
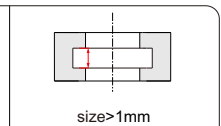
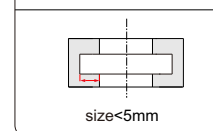
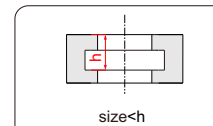
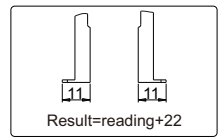
- ◆ Measure the grooves
- ◆ Made of stainless steel
- ◆ Satin chrome plated reading surface

Graduation 0.02mm

Code	Range	Accuracy
145-006-11	22-150mm	±0.04mm

Graduation 0.05mm

Code	Range	Accuracy
145-006-13	22-150mm	±0.05mm

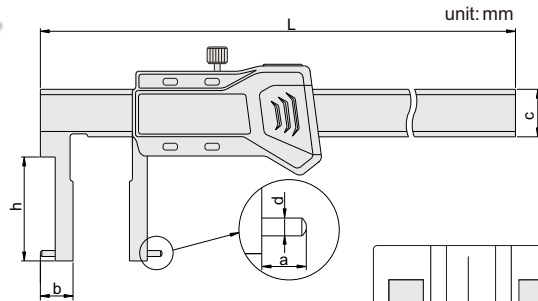


SERIES 136

DIGITAL INSIDE POINT CALIPER



- ◆ Measure the grooves
- ◆ Resolution: 0.01mm/0.0005"
- ◆ Automatic power on/off
- ◆ Buttons: mm/in, SET, preset(P+,P-)
- ◆ Preset: 2b, don't need to add the width of the jaws on the reading
- ◆ Data output
- ◆ Made of stainless steel



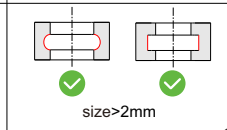
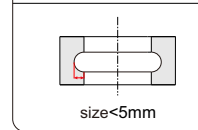
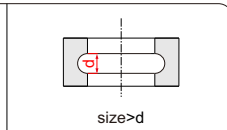
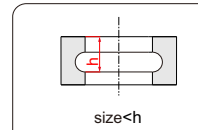
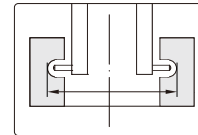
For range 500mm



Preset buttons

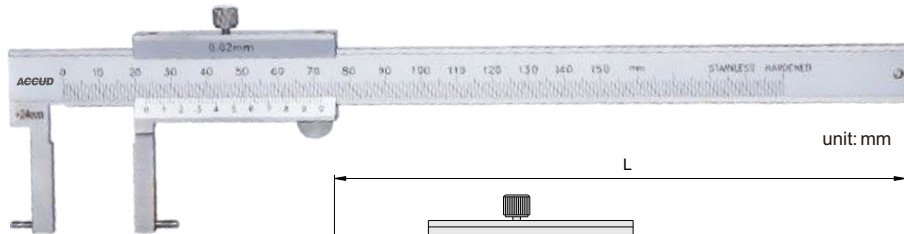


Code	Range	Accuracy	a	b	c	d	h	L
136-006-11	24-150mm	±0.04mm	5	12	16	Ø2	30	250
136-008-11	25-200mm	±0.04mm	5	12.5	16	Ø2	40	310
136-012-11	50-300mm	±0.07mm	8	25	17	Ø3	80	410
136-020-11	80-500mm	±0.07mm	16	40	24	Ø3	90	680
136-006-12	35-150mm	±0.05mm	6	17.5	16	Ø2	60	250
136-008-12	40-200mm	±0.05mm	7	20	16	Ø2	70	310
136-012-12	30-300mm	±0.05mm	5	15	16	Ø3	50	410
136-020-12	80-500mm	±0.08mm	16	40	24	Ø3	150	680

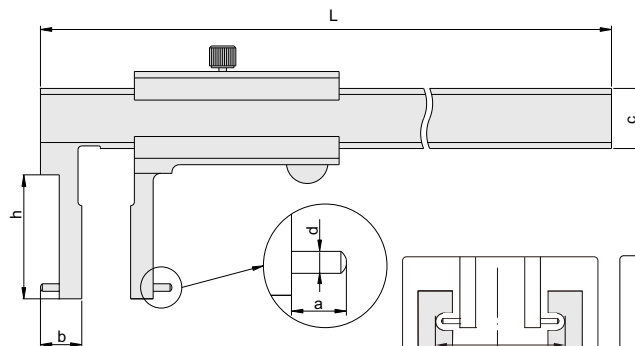


SERIES 146

INSIDE POINT VERNIER CALIPER



146-006-11



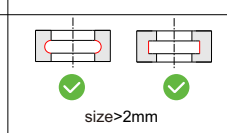
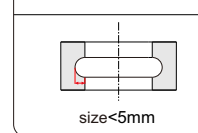
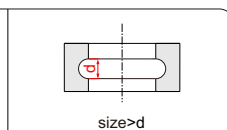
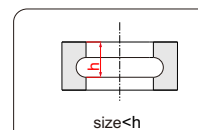
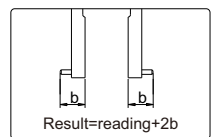
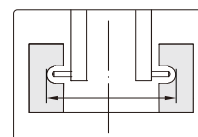
- ◆ Measure the grooves
- ◆ Made of stainless steel
- ◆ Satin chrome plated reading surface

Graduation 0.02mm

Code	Range	Accuracy	a	b	c	d	h	L
146-006-11	24-150mm	±0.04mm	5	12	16	Ø2	30	250
146-012-11	50-300mm	±0.06mm	8	25	17	Ø3	80	410

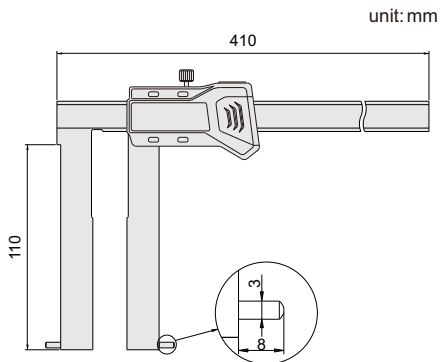
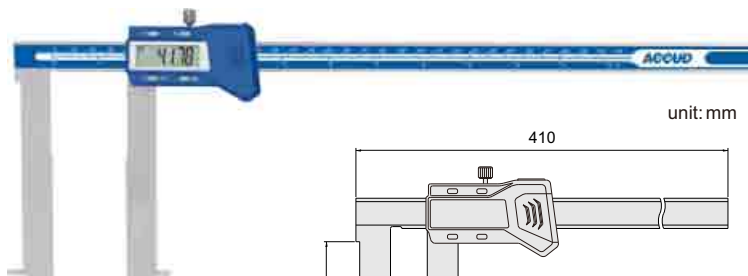
Graduation 0.05mm

Code	Range	Accuracy	a	b	c	d	h	L
146-006-13	24-150mm	±0.05mm	5	12	16	Ø2	30	250
146-012-13	50-300mm	±0.08mm	8	25	17	Ø3	80	410



136

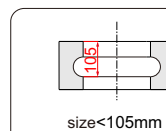
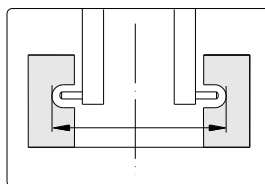
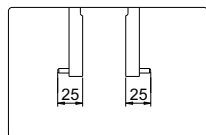
DIGITAL INSIDE POINT CALIPER



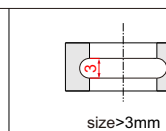
Preset buttons



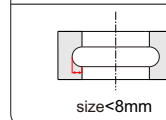
- ◆ Measure the grooves
- ◆ Resolution: 0.01mm/0.0005"
- ◆ Automatic power on/off
- ◆ Buttons: mm/in, SET, preset(P+,P-)
- ◆ Preset: 50mm, don't need to add the width of the jaws on the reading
- ◆ Data output (cable code: 100-03 or 100-04)
- ◆ Made of stainless steel



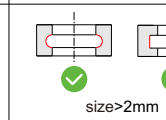
size < 105mm



size > 3mm



size < 8mm

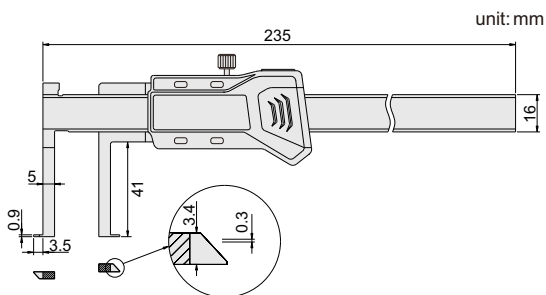


size > 2mm

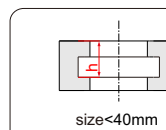
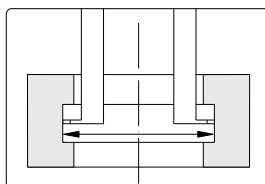
Code	Range	Accuracy
136-012-13S	50-300mm	±0.06mm

132

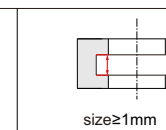
DIGITAL INSIDE GROOVE CALIPER



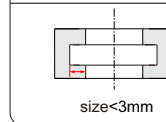
- ◆ Measure diameter of grooves inside small bores
- ◆ Resolution: 0.01mm/0.0005"
- ◆ Buttons: on/off, zero, mm/in, INC
- ◆ Automatic power on/off
- ◆ Data output(cable code: 100-03 or 100-04)
- ◆ Made of stainless steel



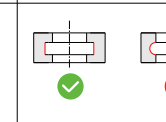
size < 40mm



size ≥ 1mm

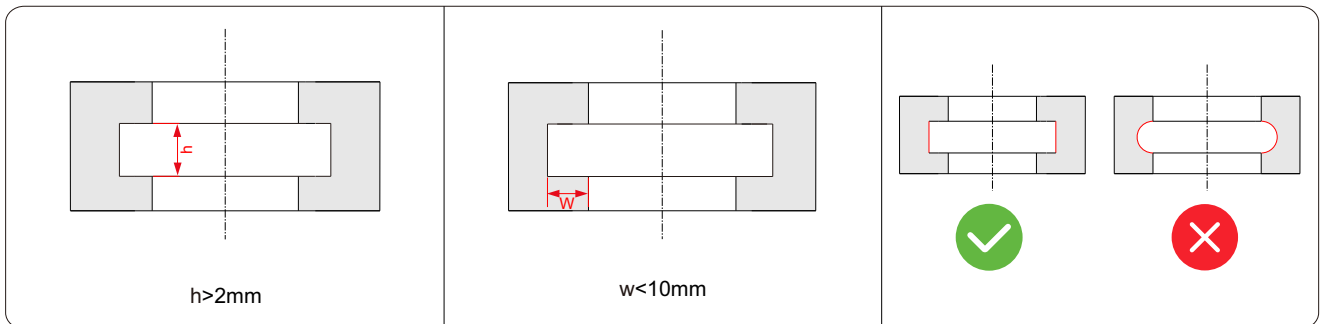
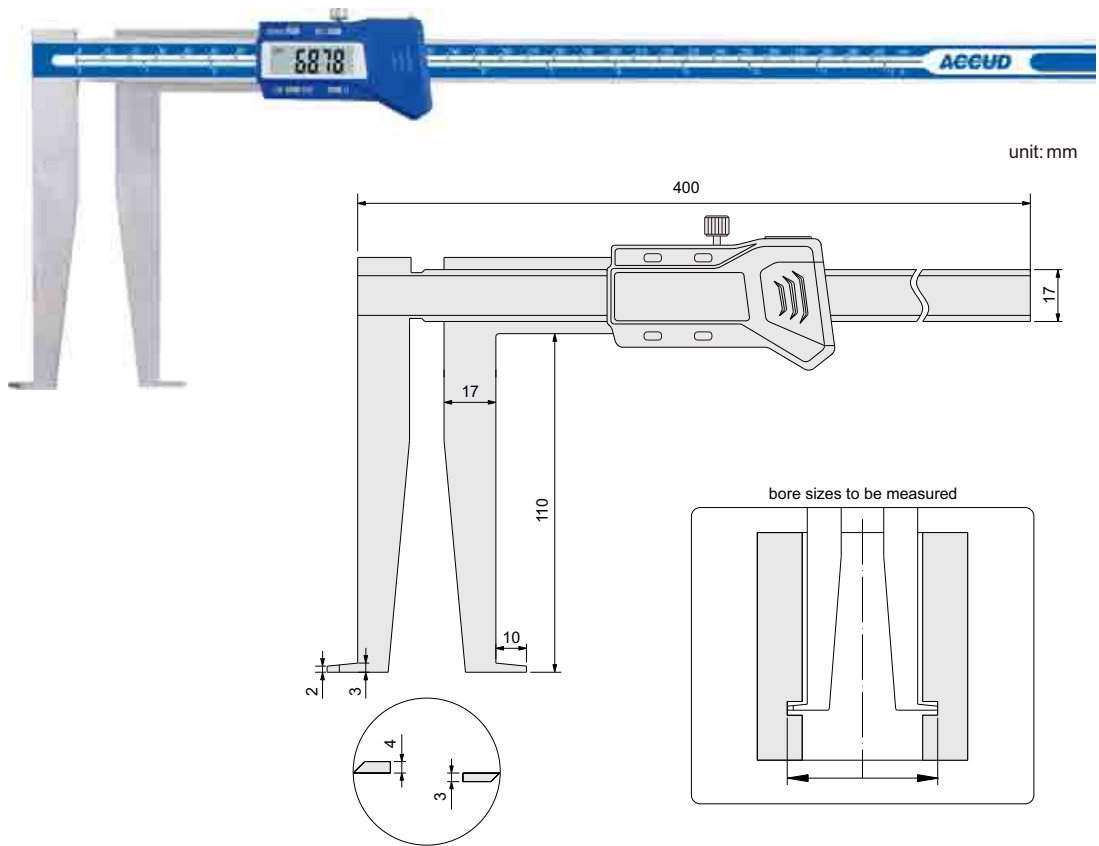


size < 3mm



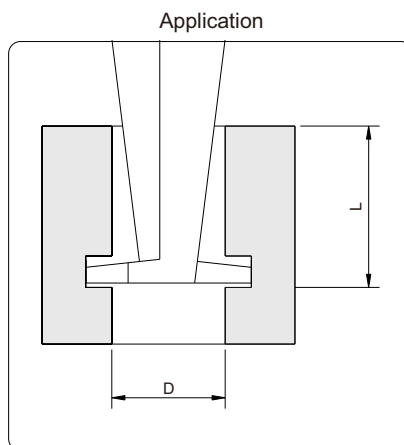
size > 2mm

Code	Range	Accuracy
132-006-21	10-150mm/0.39-6"	±0.04mm



- ◆ Measure diameter of grooves inside bores
- ◆ Resolution: 0.01mm/0.0005"
- ◆ Automatic power on/off
- ◆ Buttons: on/off, zero, mm/in, INC
- ◆ Data output(cable code: 100-03 or 100-04)
- ◆ Made of stainless steel

Code	Range	Accuracy
132-012-11	25-300mm	±0.05mm



D	L
Ø25	<50mm
Ø26	<60mm
Ø27~300	<110mm

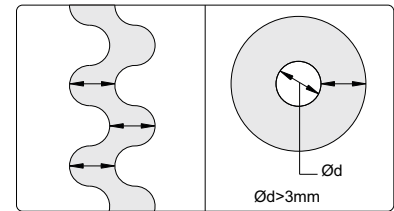
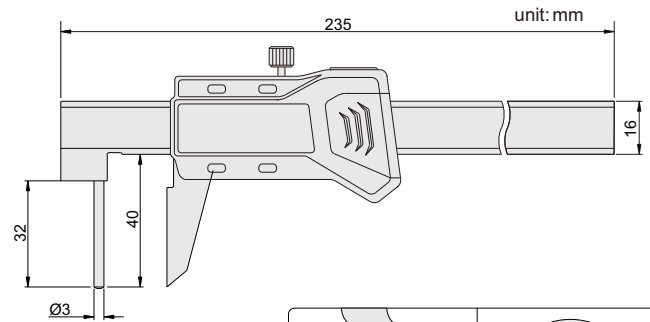


137

DIGITAL TUBE THICKNESS CALIPER



- ◆ Measure the wall thickness
- ◆ Resolution: 0.01mm/0.0005"
- ◆ Automatic power on/off
- ◆ Buttons: on/off, zero, mm/in, INC
- ◆ Data output(cable code: 100-03 or 100-04)
- ◆ Made of stainless steel



Code	Range	Accuracy
137-006-11	0-150mm/0-6"	±0.05mm

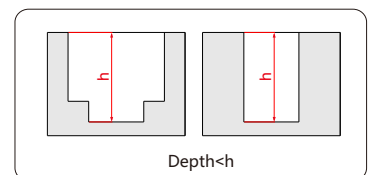
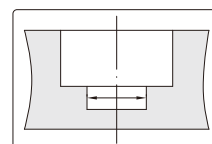
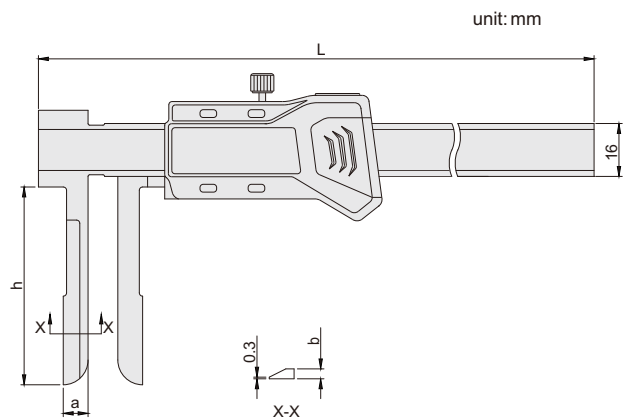
SERIES 139

DIGITAL INSIDE KNIFE-EDGE CALIPER



139-006-11

- ◆ Measure the diameter of deep holes or grooves
- ◆ Resolution: 0.01mm/0.0005"
- ◆ Automatic power on/off
- ◆ Buttons: on/off, zero, mm/in, INC
- ◆ Data output(cable code: 100-03 or 100-04)
- ◆ Made of stainless steel



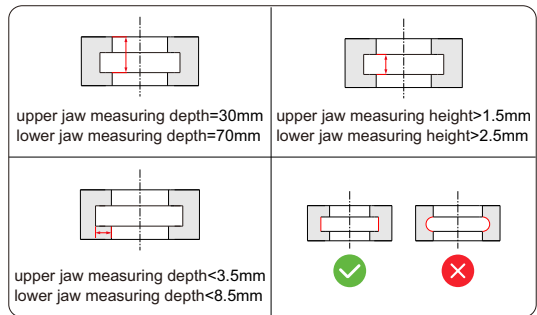
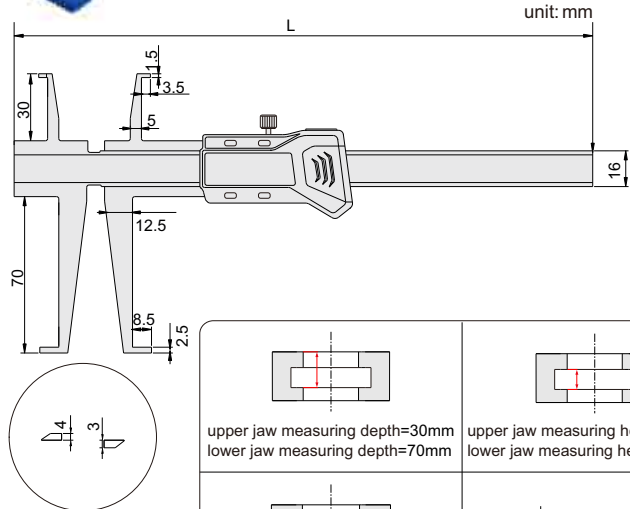
Code	Range	Accuracy	L	h	a	b
139-006-11	15-150mm	±0.05mm	250	60	12	3
139-008-11	20-200mm	±0.05mm	310	90	15	4
139-012-11	20-300mm	±0.06mm	410	90	16	4

SERIES 159

DIGITAL INSIDE GROOVE CALIPER



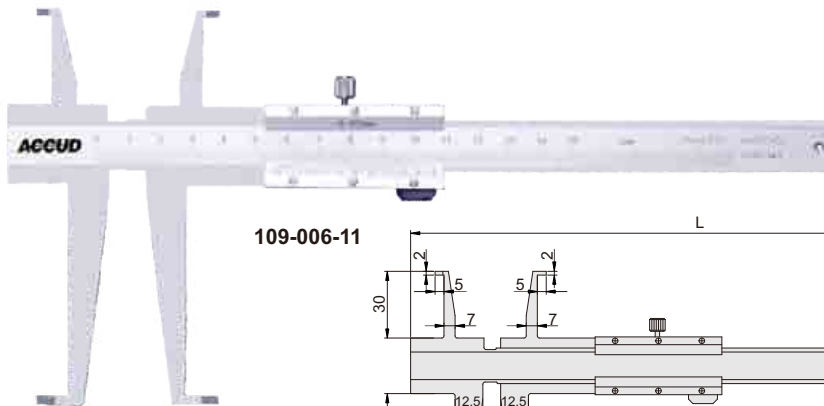
- ◆ Measure diameter of grooves inside bores
- ◆ Resolution: 0.01mm/0.0005"
- ◆ Buttons: on/off, zero, mm/in, INC
- ◆ Automatic power on/off
- ◆ Data output(cable code: 100-03 or 100-04)
- ◆ Made of stainless steel



Code	Range of upper jaw	Range of lower jaw	Accuracy	L
159-006-11	9-150mm	15-150mm	±0.04mm	260
159-008-11	9-200mm	15-200mm	±0.06mm	310

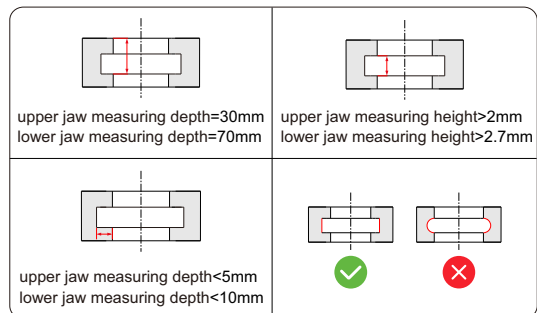
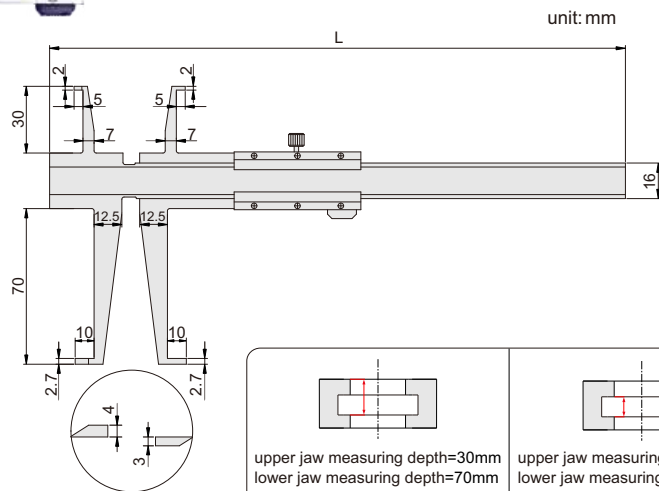
SERIES 109

INSIDE GROOVE CALIPER

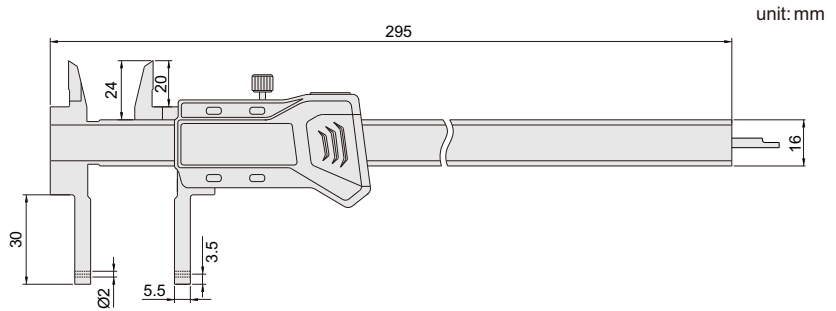
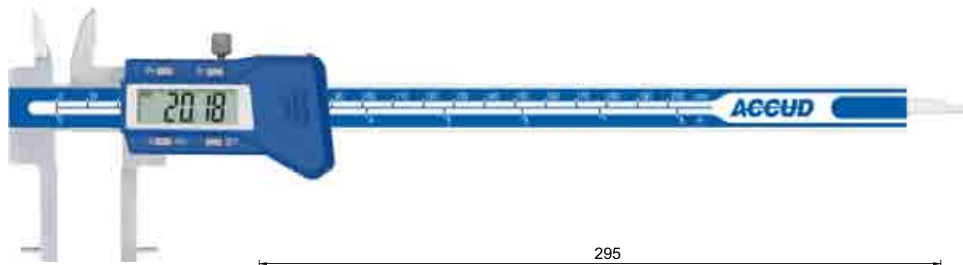


- ◆ Measure diameter of grooves inside bores
- ◆ Graduation: 0.02mm
- ◆ Made of stainless steel
- ◆ Satin chrome plated reading surface

109-006-11



Code	Range of upper jaw	Range of lower jaw	Accuracy	L
109-006-11	9-150mm	16-150mm	±0.04mm	260
109-008-11	9-200mm	16-200mm	±0.06mm	310
109-012-11	9-300mm	16-300mm	±0.06mm	415

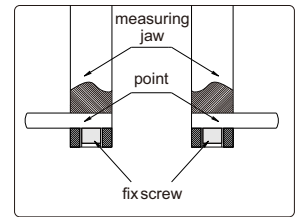


- ◆ Supplied with 3 pairs of points and one zero setting block for external measurement
- ◆ Resolution: 0.01mm/0.0005"
- ◆ Buttons: mm/in, SET, preset(P+,P-)
- ◆ Automatic power on/off
- ◆ Data output (cable code: 100-03 or 100-04)
- ◆ Made of stainless steel

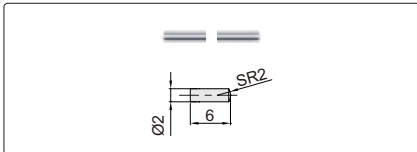
Preset buttons



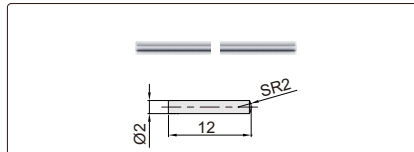
Install points



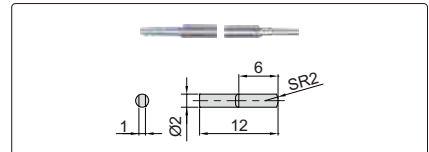
Short spherical points (included)



Long spherical/flat points (included)



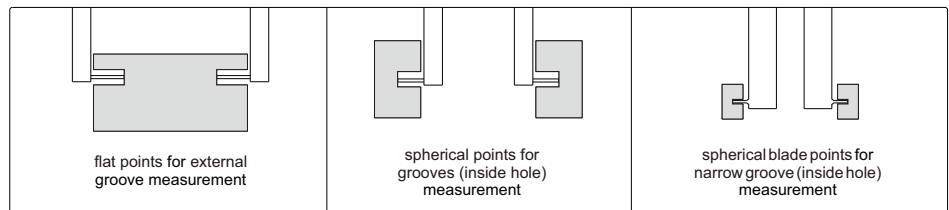
Short spherical blade points (included)



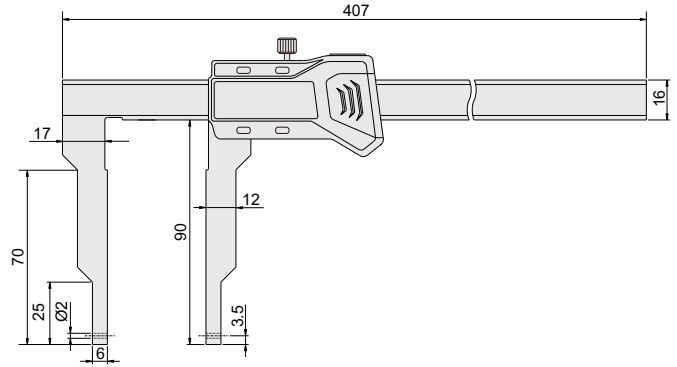
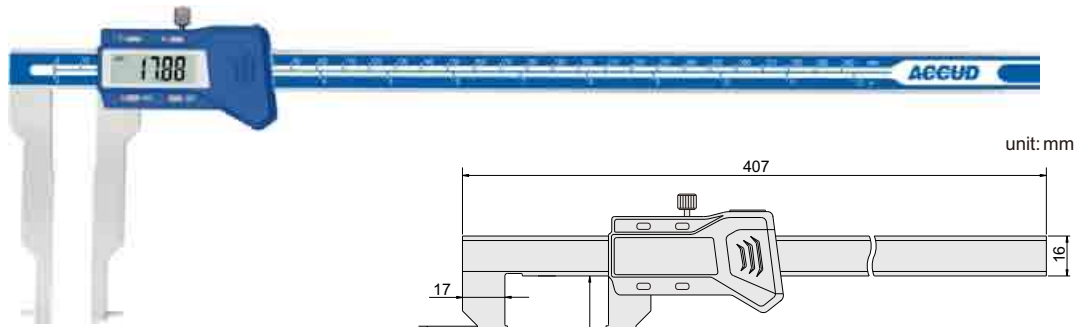
Zero setting block for external measurement (included)



Measure internal and external grooves



Code	Point	Range	Accuracy	Application
149-008-11	short spherical points	12-212mm/0.5-8.5"(internal)	±0.03mm	for grooves/inside small hole
	long spherical/flat points	24-224mm/1-8.8"(internal) 0-187mm/0-7.5"(external)	±0.03mm	spherical points for grooves/inside hole, flat points for external grooves
	spherical blade points	24-224mm/1-8.8"(internal) 0-187mm/0-7.5"(external)	±0.03mm	for narrow grooves/inside hole

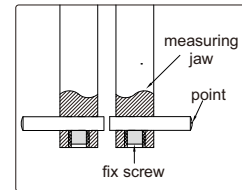


- ◆ Supplied with 4 pairs of points and one zero setting block for external measurement
- ◆ Resolution: 0.01mm/0.0005"
- ◆ Buttons: mm/in, SET, preset(P+,P-)
- ◆ Automatic power on/off
- ◆ Data output(cable code: 100-03 or 100-04)
- ◆ Made of stainless steel

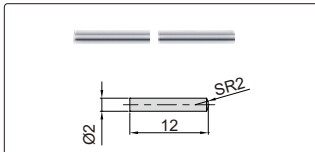
Preset buttons



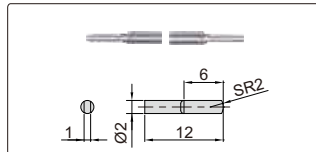
Install points



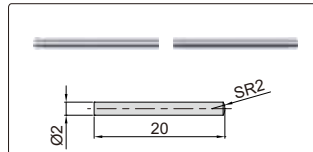
Short spherical/flat points



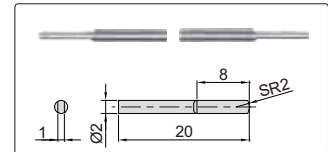
Short spherical blade points



Long spherical/flat points



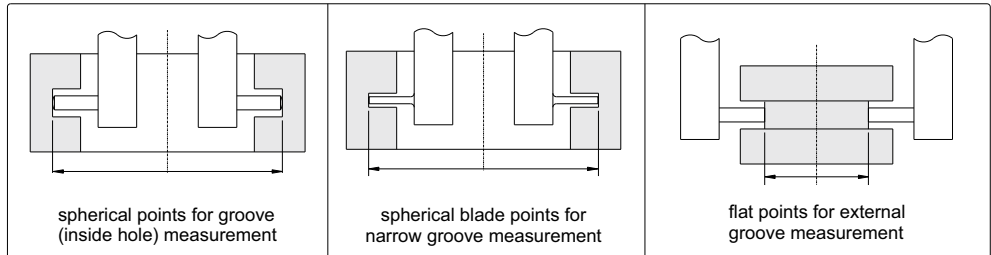
Long spherical blade points



Zero setting block for external measurement (included)



Measure internal and external grooves

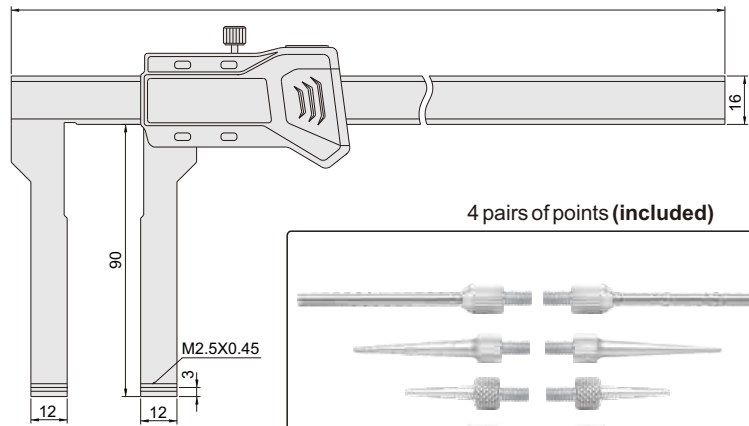


Code	Point	Range	Accuracy	Application
149-012-11	short spherical/flat points	24-324mm/1-12.7"(internal) 0-288mm/0-11.3"(external)	±0.04mm	spherical points for grooves/inside hole, (small hole) flat points for external grooves
	long spherical/flat points	40-340mm/1.5-13.3"(internal) 0-272mm/0-10.7"(external)	±0.04mm	spherical points for grooves/inside hole, (large hole) flat points for external grooves
	short spherical blade points	24-324mm/1-12.7"(internal) 0-288mm/0-11.3"(external)	±0.04mm	for narrow grooves (small hole)
	long spherical blade points	40-340mm/1.5-13.3"(internal) 0-272mm/0-10.7"(external)	±0.04mm	for narrow grooves (large hole)

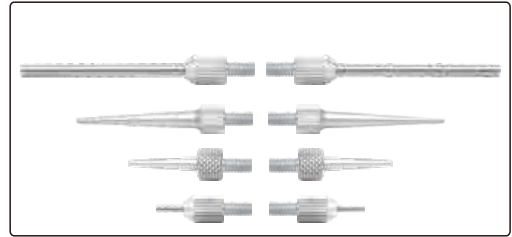


unit: mm

- ◆ Supplied with 4 pairs of points
(Cylindrical needle point: 270-006-16 2pc,
Cylindrical needle point: 270-006-04 2pc,
Conical needle point: 270-006-21 2pc,
Conical needle point: 270-006-23 2pc)
- ◆ Zero setting block for external measurement
- ◆ Resolution: 0.01mm/0.0005"
- ◆ Buttons: mm/in, SET, preset(P+,P-)
- ◆ Automatic power on/off
- ◆ Data output (cable code: 100-03 or 100-04)
- ◆ Made of stainless steel



4 pairs of points (included)



Points (optional)



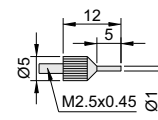
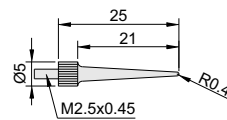
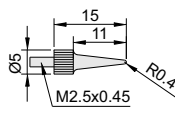
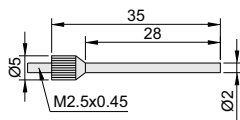
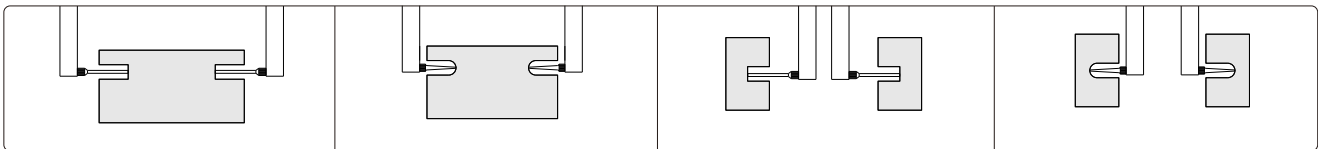
Zero setting block for external measurement (included)



Preset buttons



Measure internal and external grooves



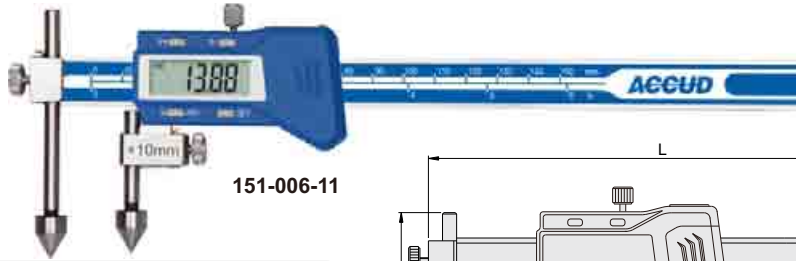
Code	Range	Accuracy
149-012-21	0-300mm/0-12"	±0.04mm

SERIES 151

DIGITAL OFFSET CENTERLINE CALIPER

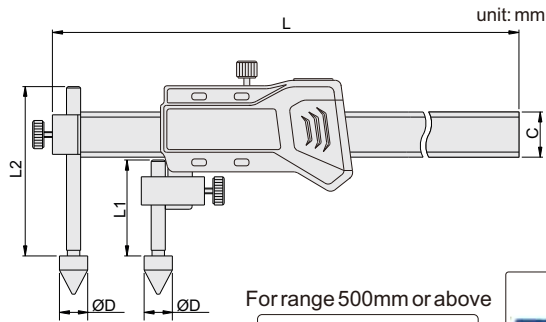


VIDEO



151-006-11

- ◆ Measure the hole center-to-center distance in same plane, or between offset planes
- ◆ Resolution: 0.01mm/0.0005"
- ◆ Automatic power on/off
- ◆ Buttons: mm/in, SET, preset(P+,P-)
- ◆ Data output
- ◆ Made of stainless steel



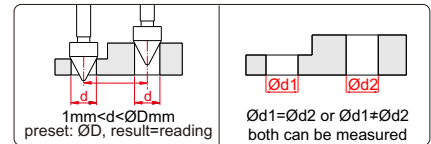
unit: mm

Preset buttons

For range 500mm or above

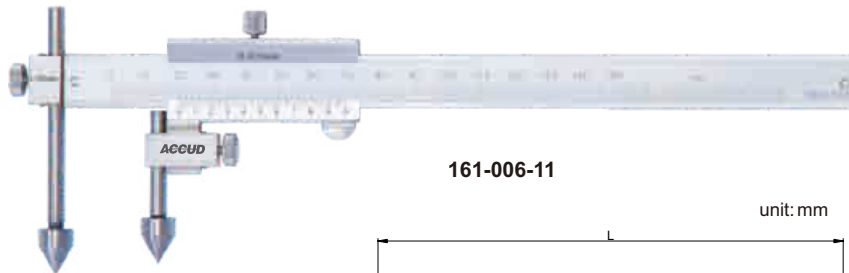


Code	Range	Accuracy	c	ØD	L1	L2	L
151-006-11	10-150mm/0.4-6"	±0.05mm	16	10	32	65	236
151-008-11	10-200mm/0.4-8"	±0.07mm	16	10	32	65	306
151-012-11	10-300mm/0.4-12"	±0.09mm	16	10	32	65	396
151-020-11	20-500mm/0.8-20"	±0.09mm	24	20	48	88	686
151-040-11	30-1000mm/1.2-40"	±0.12mm	31	30	42	88	1242



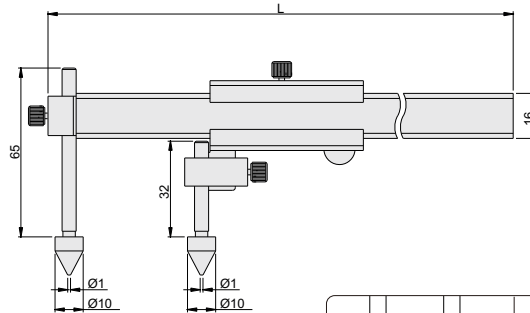
SERIES 161

OFFSET CENTERLINE VERNIER CALIPER



161-006-11

unit: mm



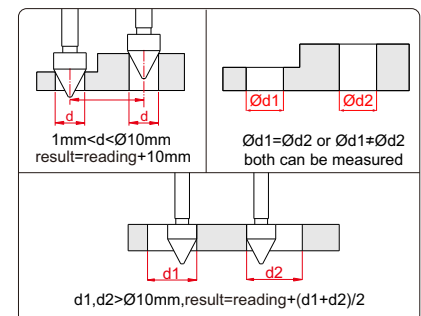
Graduation 0.02mm

Code	Range	Accuracy	L
161-006-11	10-150mm	±0.05mm	236
161-008-11	10-200mm	±0.07mm	306
161-012-11	10-300mm	±0.09mm	396

Graduation 0.05mm

Code	Range	Accuracy	L
161-006-13	10-150mm	±0.05mm	236
161-008-13	10-200mm	±0.07mm	306
161-012-13	10-300mm	±0.09mm	396

- ◆ Measure the hole center-to-center distance in same plane, or between offset planes
- ◆ Made of stainless steel
- ◆ Satin chrome plated reading surface



SERIES 141

DIGITAL BACK-JAW CENTERLINE CALIPER

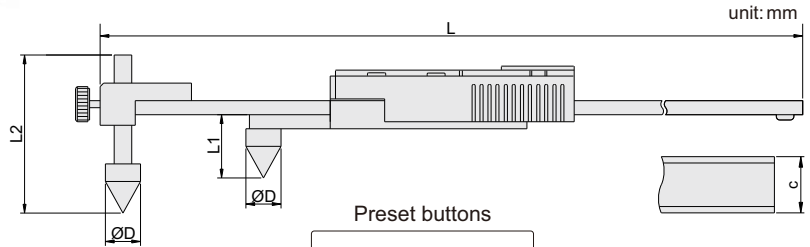


VIDEO



141-008-11

- ◆ Measure hole center distance in the same or offset planes
- ◆ Resolution: 0.01mm/0.0005"
- ◆ Buttons: mm/in, SET, preset(P+,P-)
- ◆ Data output
- ◆ Automatic power on/off
- ◆ Made of stainless steel



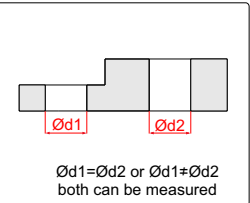
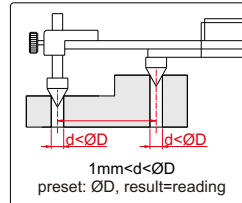
Preset buttons



For range 500mm or above



Code	Range	Accuracy	ØD	c	L1	L2	L
141-008-11	10-200mm/0.4-8"	±0.1mm	10	16	18	45	310
141-012-11	10-300mm/0.4-12"	±0.1mm	10	16	18	45	410
141-020-11	20-500mm/0.8-20"	±0.1mm	20	24	26	70	692
141-040-11	30-1000mm/1.2-40"	±0.12mm	30	31	39	70	1242
141-060-11	30-1500mm/1.2-60"	±0.15mm	30	31	39	70	1745



SERIES 147

BACK-JAW DIGITAL EDGE TO CENTER CALIPER

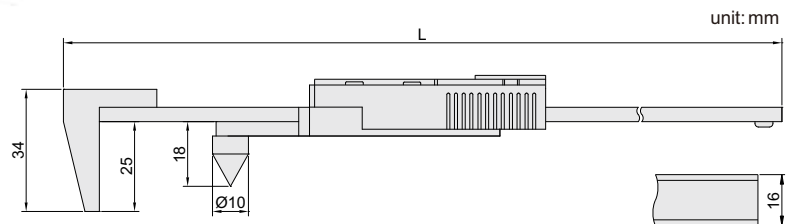


VIDEO



147-008-11

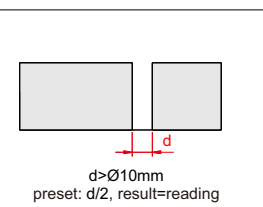
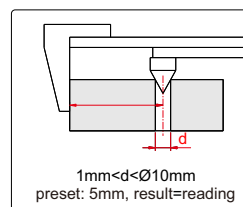
- ◆ Measure edge to hole center distance
- ◆ Resolution: 0.01mm/0.0005"
- ◆ Buttons: mm/in, SET, preset(P+,P-)
- ◆ Data output(cable code: 100-03 or 100-04)
- ◆ Automatic power on/off
- ◆ Made of stainless steel



Preset buttons

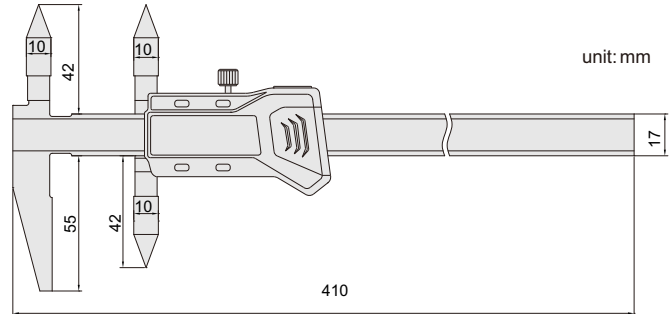
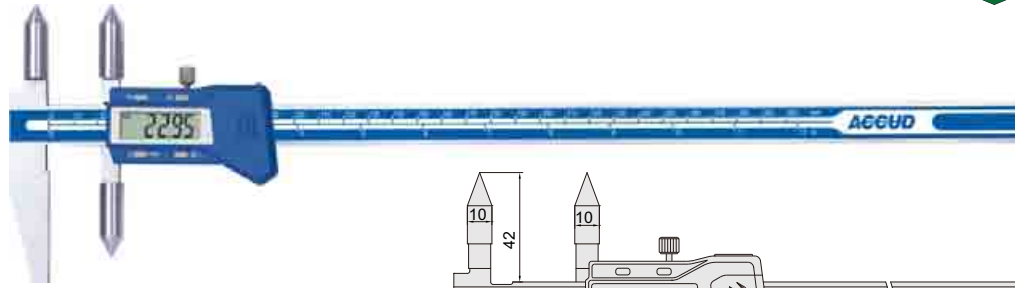


Measure edge to hole center distance



Code	Range	Accuracy	L
147-008-11	5-200mm/0.2-8"	±0.1mm	310
147-012-11	5-300mm/0.2-12"	±0.1mm	410

DIGITAL CENTERLINE/EDGE TO CENTER CALIPER

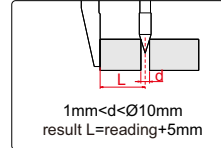


- ◆ Measure hole center distance or edge to hole center distance
- ◆ Resolution: 0.01mm/0.0005"
- ◆ Buttons: mm/in, SET, preset(P+,P-)
- ◆ Data output(cable code: 100-03 or 100-04)
- ◆ Automatic power on/off
- ◆ Made of stainless steel

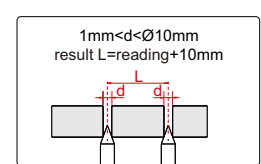
Preset buttons



Measure edge to hole center distance



Measure hole center distance



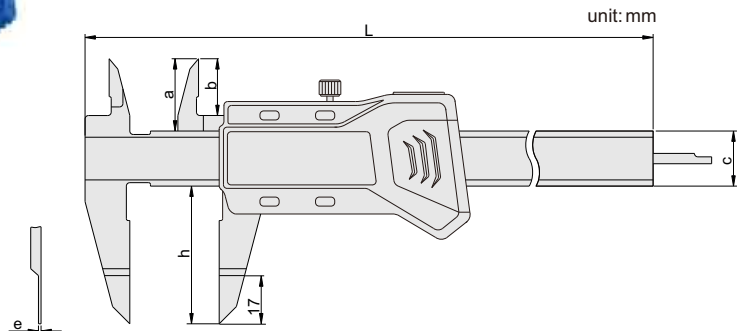
Code	Range of upper jaw (center to center)	Range of lower jaw (edge to center)	Accuracy
148-012-11	10-300mm/0.4-12"	5-300mm/0.2-12"	±0.08mm

SERIES 153

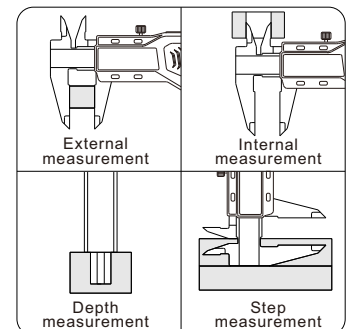
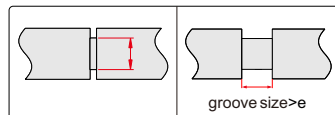
DIGITAL BLADE CALIPER



153-006-11



- ◆ Measure small grooves
- ◆ Resolution: 0.01mm/0.0005"
- ◆ Automatic power on/off
- ◆ Buttons: on/off, zero, mm/in, INC
- ◆ Data output(cable code: 100-03 or 100-04)
- ◆ Made of stainless steel



Code	Range	Accuracy	a	b	c	h	e	L
153-006-11	0-150mm/0-6"	±0.03mm	21	16	16	40	0.75	235
153-008-11	0-200mm/0-8"	±0.03mm	24	19	16	50	0.75	297
153-012-11	0-300mm/0-12"	±0.04mm	26	20.5	16	60	1.00	390

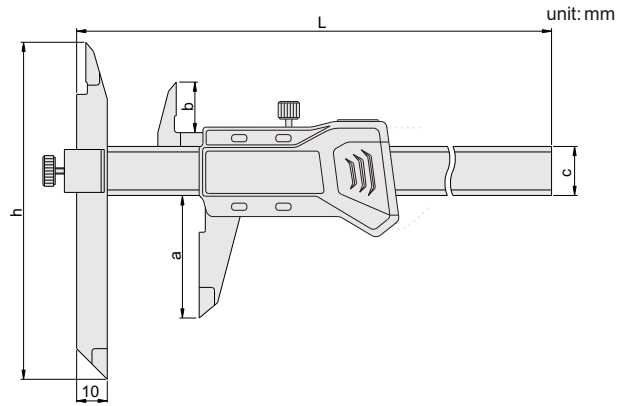
SERIES 152

DIGITAL OFFSET CALIPER

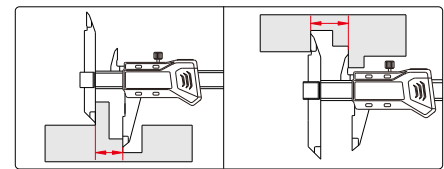


152-006-11

- ◆ Adjust the beam-mounted jaw to facilitate measurement of stepped sections and hard-to reach workpiece
- ◆ Resolution: 0.01mm/0.0005"
- ◆ Automatic power on/off
- ◆ Buttons: on/off, zero, mm/in, INC
- ◆ Data output(cable code: 100-03 or 100-04)
- ◆ Made of stainless steel



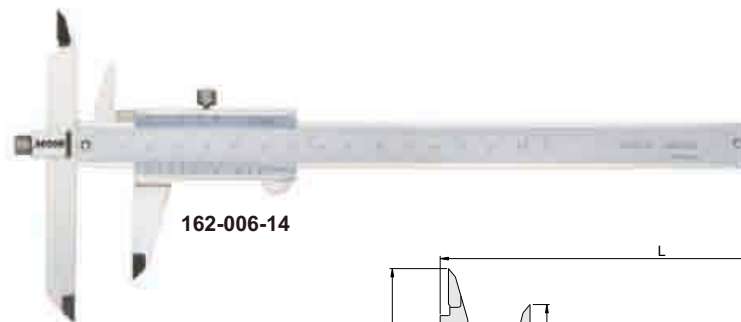
Code	Range	Accuracy	a	b	c	h	L
152-006-11	0-150mm/0-6"	±0.04mm	40	16.5	16	110	239
152-008-11	0-200mm/0-8"	±0.04mm	50	19.5	16	120	289
152-012-11	0-300mm/0-12"	±0.05mm	60	20.5	17	130	389



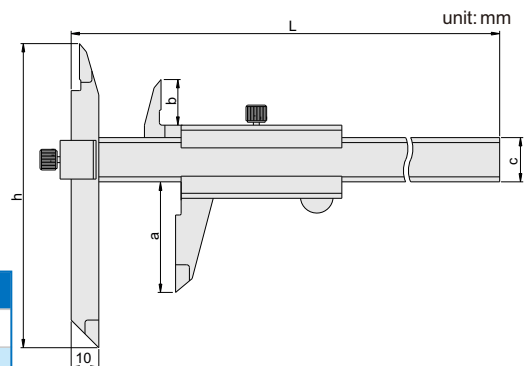
SERIES 162

OFFSET VERNIER CALIPER

- ◆ Adjust the beam-mounted jaw to facilitate measurement of stepped sections and hard-to reach workpiece
- ◆ Made of stainless steel
- ◆ Satin chrome plated reading surface



162-006-14

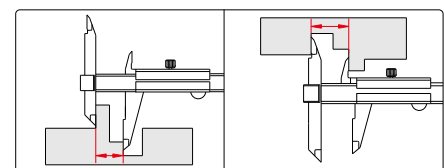


Graduation 0.02mm/0.001"

Code	Range	Accuracy	a	b	c	h	L
162-006-12	0-150mm/0-6"	±0.04mm	40	16.5	16	110	239
162-008-12	0-200mm/0-8"	±0.04mm	50	19.5	16	120	289
162-012-12	0-300mm/0-12"	±0.05mm	60	20.5	17	130	389

Graduation 0.05mm/1/128"

Code	Range	Accuracy	a	b	c	h	L
162-006-14	0-150mm/0-6"	±0.04mm	40	16.5	16	110	239
162-008-14	0-200mm/0-8"	±0.04mm	50	19.5	16	120	289
162-012-14	0-300mm/0-12"	±0.05mm	60	20.5	17	130	389



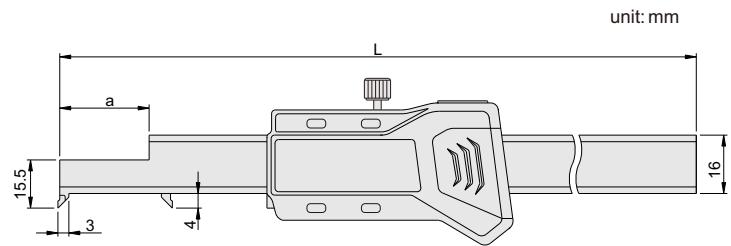
SERIES 154

DIGITAL HOOK CALIPER

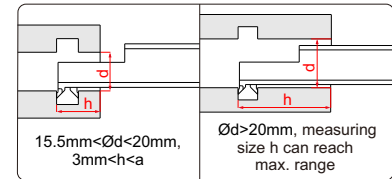
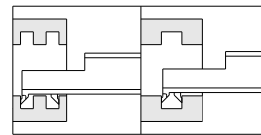


154-005-11

- ◆ Measure width of groove inside bores
- ◆ Resolution: 0.01mm/0.0005"
- ◆ Buttons: on/off, zero, mm/in, INC
- ◆ Automatic power on/off
- ◆ Data output(cable code: 100-03 or 100-04)
- ◆ Made of stainless steel



Code	Range	Accuracy	a	L
154-005-11	3-125mm	±0.04mm	24	250
154-008-11	3-200mm	±0.04mm	34	310
154-012-11	3-300mm	±0.05mm	86	460

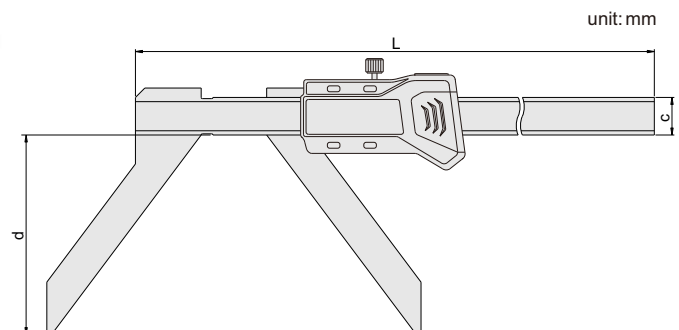


SERIES 169

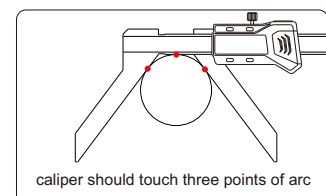
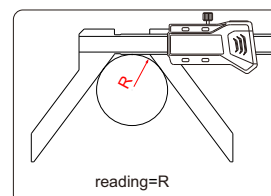
DIGITAL ARC RADIUS CALIPER

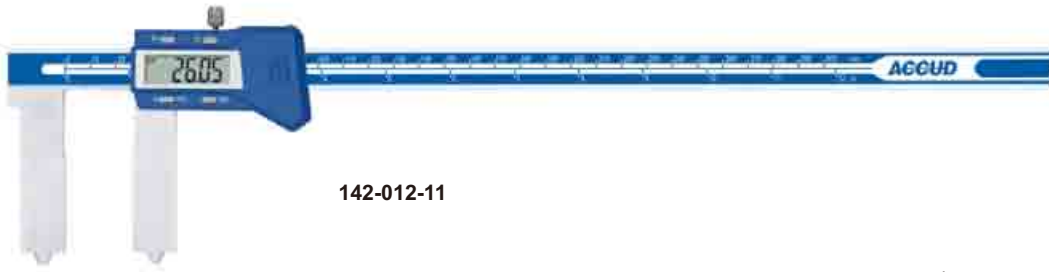


- ◆ Measure the radius of arc less than half round
- ◆ Resolution: 0.01mm/0.0005"
- ◆ Buttons: on/off, zero, mm/in, INC
- ◆ Automatic power on/off
- ◆ Data output(cable code: 100-03 or 100-04)
- ◆ Made of stainless steel



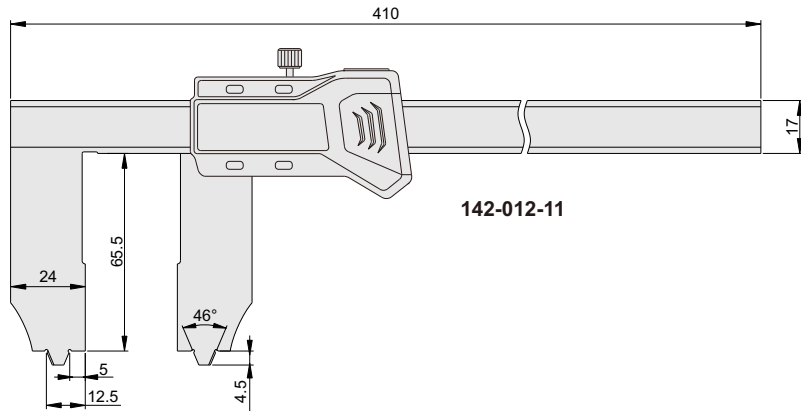
Code	Range(R)	Accuracy	c	d	L
169-006-11	5-150mm/0.2-6"	±0.05mm	16	65	263
169-008-11	5-200mm/0.2-8"	±0.07mm	16	85	313



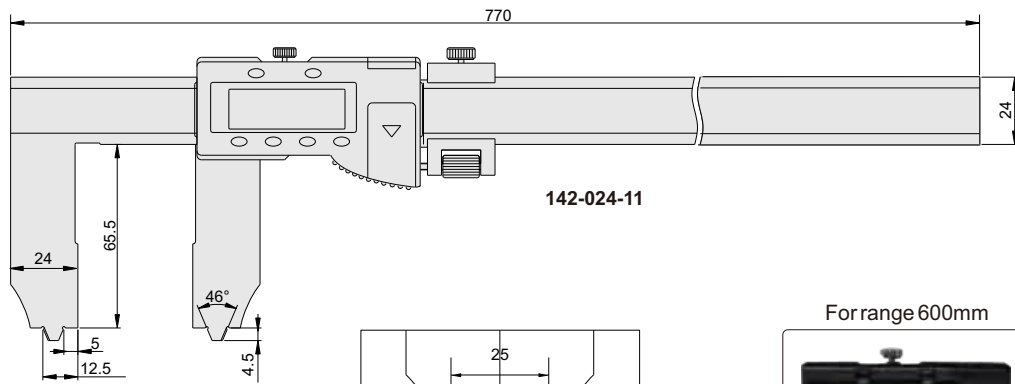


142-012-11

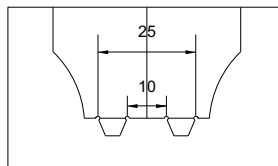
unit: mm



142-012-11



142-024-11

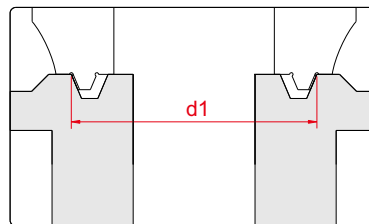


For range 600mm

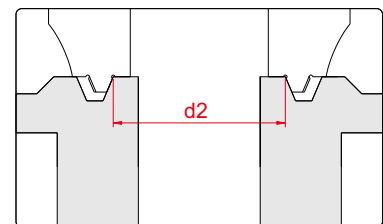


- ◆ Measure ring grooves of flange
- ◆ Resolution: 0.01mm/0.0005"
- ◆ Automatic power on/off
- ◆ Buttons: mm/in, SET, preset(P+,P-)
- ◆ Preset: 25mm, don't need to add the width of the jaws on the reading
- ◆ Data output
- ◆ Made of stainless steel

Measure outside diameter of RTJ ring groove



Measure inside diameter of RTJ ring groove

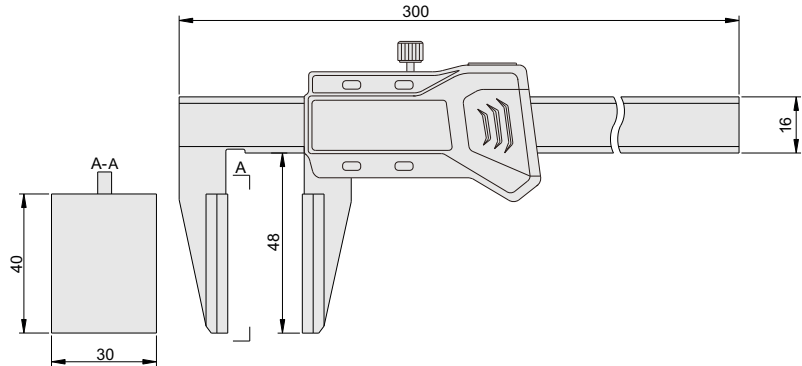


Code	Range (inside diameter of RTJ ring groove)	Range (outside diameter of RTJ ring groove)	Angle of RTJ ring groove	Accuracy
142-012-11	10-300mm/0.4-12"	25-300mm/1-12"	23°	±0.06mm
142-024-11	10-600mm/0.4-24"	25-600mm/1-24"	23°	±0.07mm

DIGITAL CALIPER WITH LARGE MEASURING FACES



unit: mm

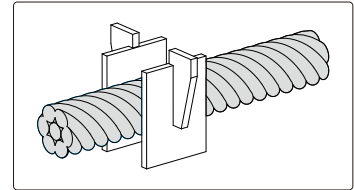


- ◆ Measure diameter of wire ropes, and thickness of soft materials like rubber, etc.
- ◆ Resolution: 0.01mm/0.0005"
- ◆ Buttons: on/off, zero, mm/in, INC
- ◆ Automatic power on/off
- ◆ Data output(cable code: 100-03 or 100-04)
- ◆ Made of stainless steel

Measure thickness of rubber



Measure diameter of wire ropes



Code	Range	Accuracy
167-008-11	0-200mm/0-8"	±0.07mm

SERIES 107

DIGITAL CALIPER WITH LONG UPPER JAWS

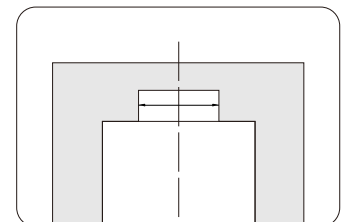
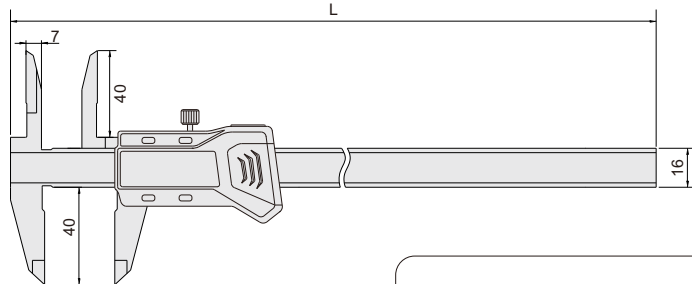


- ◆ Non waterproof
- ◆ Long upper jaws for measuring diameter of deep holes
- ◆ Resolution: 0.01 mm/0.0005"
- ◆ Buttons: on/off, zero, mm/in, INC
- ◆ Automatic power off, move the digital unit to turn on power
- ◆ Data output(cable code: 100-03 or 100-04)
- ◆ Made of stainless steel



107-008-11

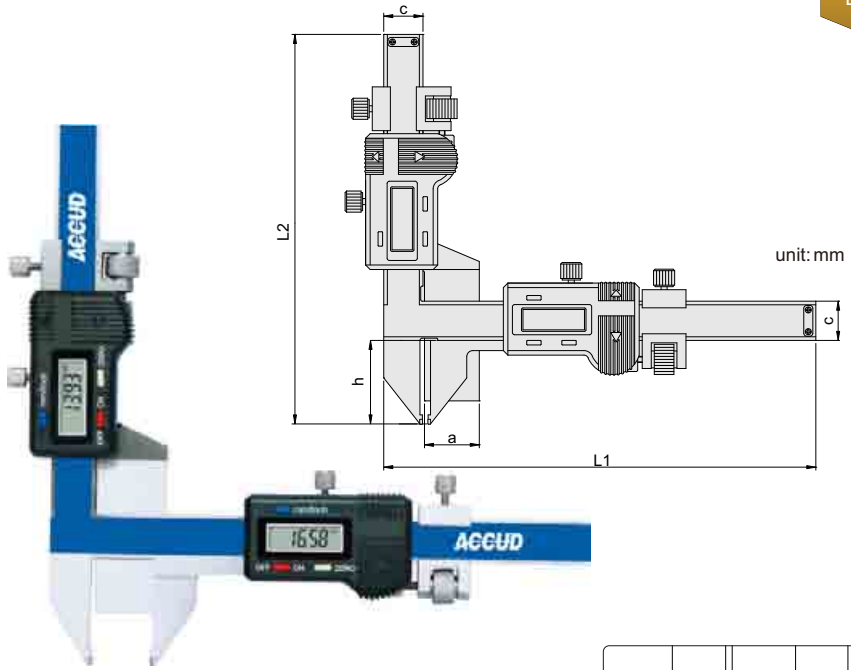
unit: mm



Code	Range	Accuracy	L
107-006-11	0-150mm/0-6"	±0.04mm	236
107-008-11	0-200mm/0-8"	±0.04mm	286

SERIES 156

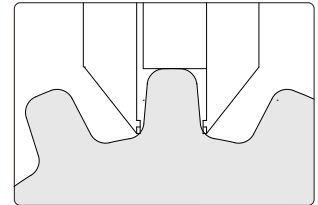
DIGITAL GEAR TOOTH CALIPER



- ◆ Resolution: 0.01mm/0.0005"
- ◆ Buttons: on/off, zero, mm/inch
- ◆ Made of stainless steel

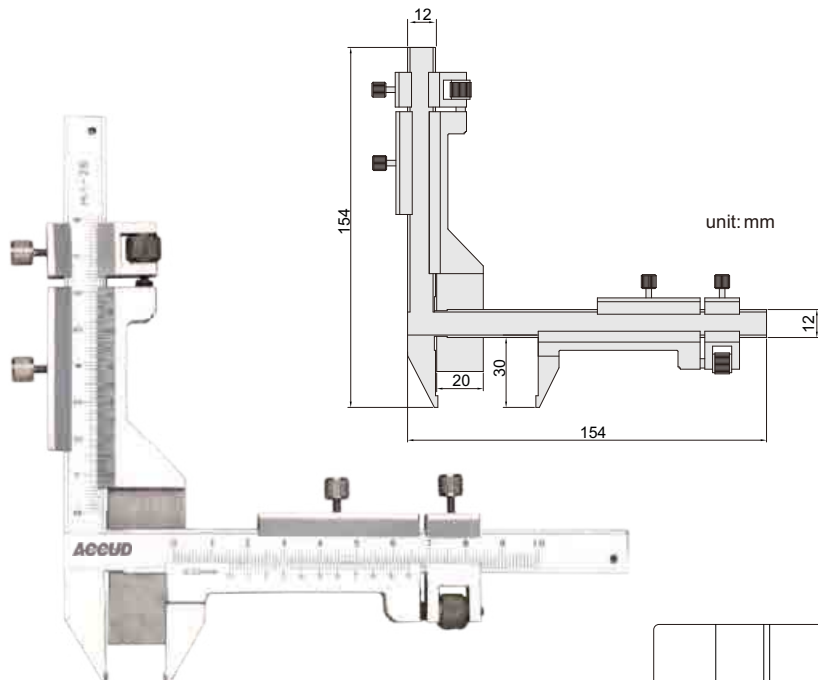
156-001-11

Code	Range	Accuracy	L1	L2	a	c	h
156-001-11	M1-25mm	±0.04mm	170	165.5	21	16	30.5
156-002-11	M5-50mm	±0.04mm	220	190	50.5	16	55



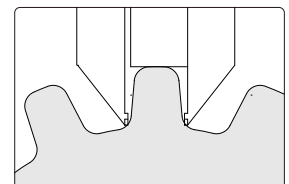
166

VERNIER GEAR TOOTH CALIPER



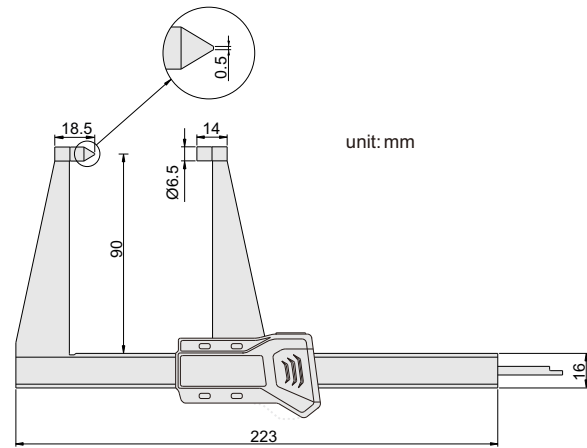
- ◆ Graduation: 0.02mm
- ◆ Made of stainless steel

Code	Range	Accuracy
166-001-11	M1-26mm	±0.04mm





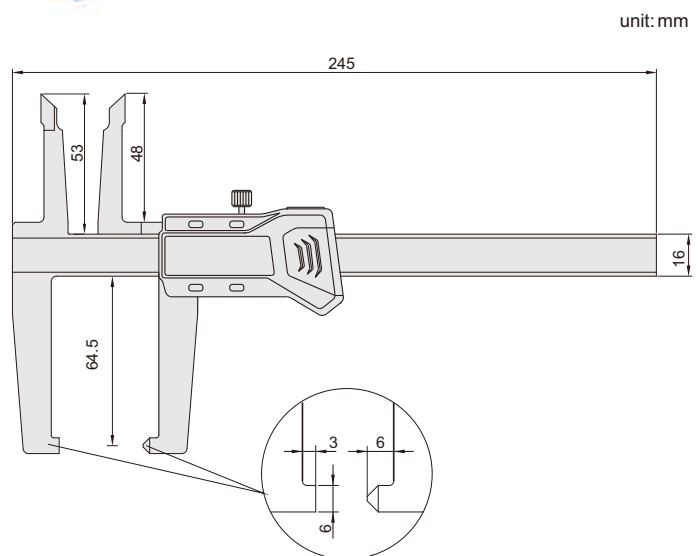
- ◆ Measure thickness of disk brakes
- ◆ Resolution: 0.01mm/0.0005"
- ◆ Buttons: on/off, zero, mm/in, INC
- ◆ Automatic power on/off
- ◆ Data output(cable code: 100-03 or 100-04)
- ◆ Made of stainless steel



Code	Range	Accuracy
157-005-11	0-125mm/0-5"	±0.05mm



- ◆ Measure thickness of disk brakes and pad wear
- ◆ Resolution: 0.01mm/0.0005"
- ◆ Buttons: on/off, zero, mm/in, INC
- ◆ Automatic power on/off
- ◆ Data output(cable code: 100-03 or 100-04)
- ◆ Made of stainless steel



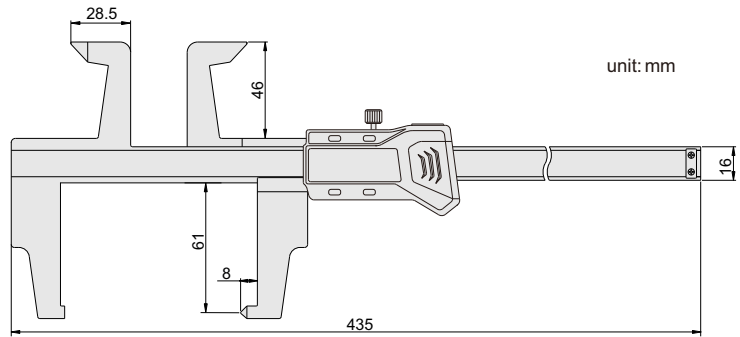
Code	Range	Accuracy
165-006-11	0-150mm/0-6"	±0.07mm

158

DIGITAL DRUM BRAKE CALIPER



- ◆ Measure internal and external diameter of drum brakes
- ◆ Resolution 0.01mm/0.0005"
- ◆ Buttons: on/off, zero, mm/in, INC
- ◆ Automatic power on/off
- ◆ Data output(cable code: 100-03 or 100-04)
- ◆ Made of stainless steel



Code	Range	Accuracy
158-012-11	0-300mm/0-12"	±0.07mm

880

CALIPER END GRINDING MACHINE

- ◆ Used for grinding the depth measuring surface of the end of calipers



Application



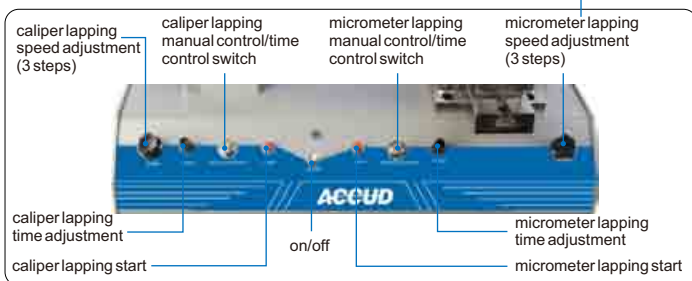
Code	Power supply	Dimension (LxWxH)	Weight
880-000-11	220V, 50/60Hz	370x200x 160mm	15kg



881

CALIPER/MICROMETER LAPPING MACHINE

- ◆ For lapping measuring surfaces of caliper lower jaws and outside micrometer
- ◆ Suitable for 0-300mm range calipers and 0-100mm range outside micrometers



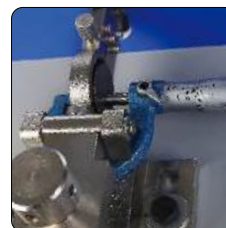
Caliper lapping block (included)



Micrometer lapping block (optional)



Lapping measuring surfaces of outside micrometer



lapping measuring surfaces of caliper lower jaws



Code	Power supply	Dimension (L x W x H)	Weight
881-002-11	220V, 50/60Hz	430x400x210mm	28kg

SERIES 179

ACCESSORY FOR CALIPER

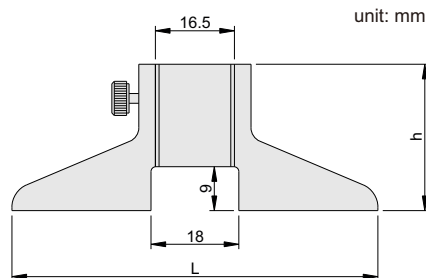


179-000-00



179-000-01

- ◆ For caliper to increase the stability of depth measurement
- ◆ For all calipers which range is 150mm and 200mm and beam width is 16mm
- ◆ Made of stainless steel



Application



Code	h	L
179-000-00	30	75
179-000-01	32	100