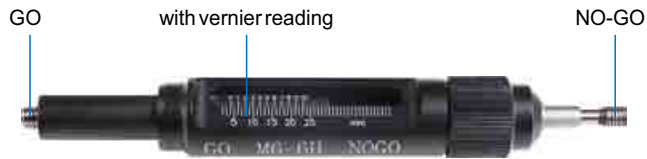


SERIES 559

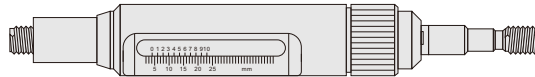
THREAD DEPTH GAUGE

CUSTOM-MADE
other sizes are available upon request

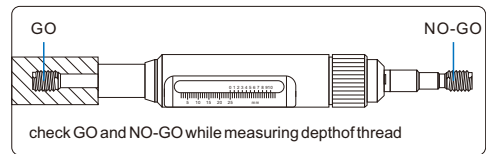
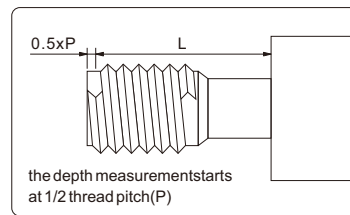
- ◆ Supplied with GO and NO-GO gages together
- ◆ Check GO and NO-GO while measuring the depth thread
- ◆ The GO gage can be replaced after wear
- ◆ Graduation: 0.1mm
- ◆ Accuracy: $\pm 0.1\text{mm}$



559-004-01



Code	Size	Depth range
559-003-01	M3x0.5-6H	4-25mm
559-004-01	M4x0.7-6H	4-25mm
559-005-01	M5x0.8-6H	4-25mm
559-006-01	M6x1-6H	4-25mm
559-008-01	M8x1.25-6H	5-45mm
559-010-01	M10x1.5-6H	5-45mm
559-012-01	M12x1.75-6H	5-45mm
559-014-01	M14x2-6H	5-45mm

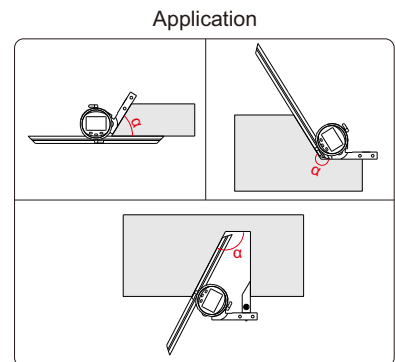
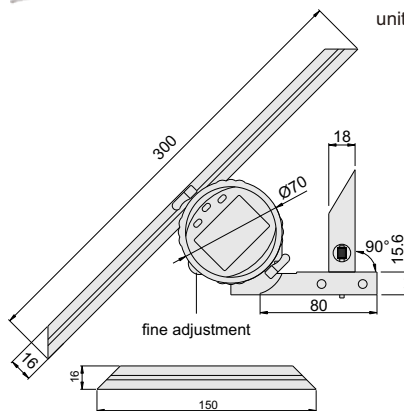
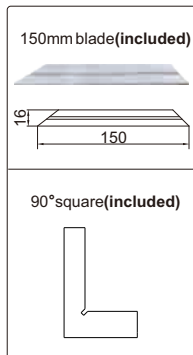
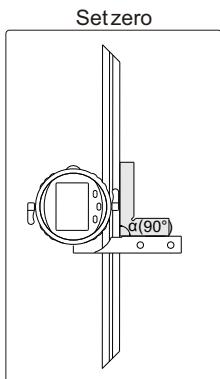


822

DIGITAL PROTRACTOR



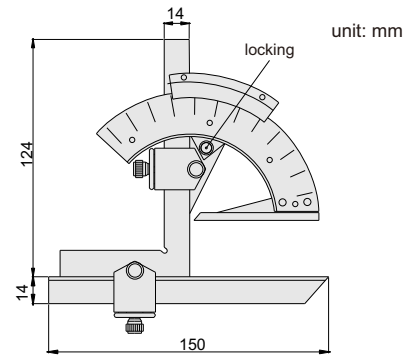
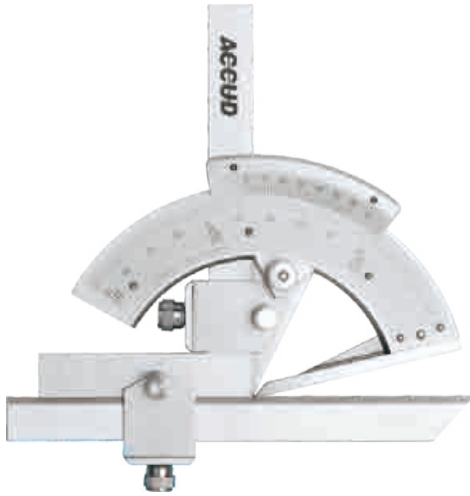
- ◆ Button function:
SET: preset the reading and change the measuring direction
MODE: choose range 90°, 180°, 360°
ZERO/ON/OFF: set zero and power on/off
- ◆ Data output
- ◆ With a 150mm blade and a 90° square
- ◆ Made of stainless steel



Code	Range	Resolution	Accuracy
822-360-01	0-360°	10"/0.005°	$\pm 5'$

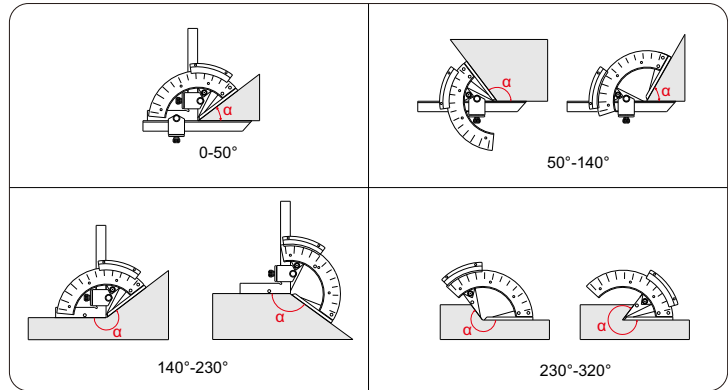
814

UNIVERSAL PROTRACTOR



- ◆ Graduation : 2'
- ◆ Made of stainless steel
- ◆ Satin chrome plated scale

Application

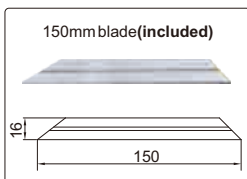
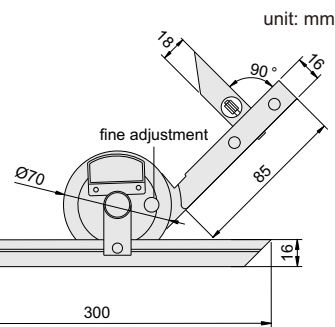


Code	Range	Accuracy
814-320-01	0 - 320°	±2'

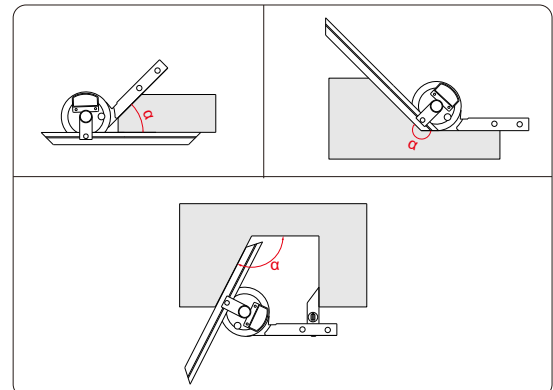
815

UNIVERSAL PROTRACTOR

- ◆ Graduation : 5'
- ◆ Parallax-free reading
- ◆ With one blade: 150mm
- ◆ Made of stainless steel
- ◆ Optional accessory: clamp for height gages



Application

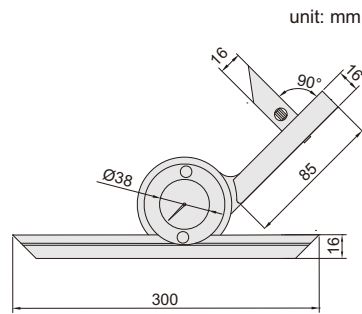
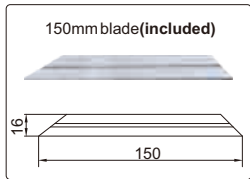


Code	Range	Accuracy
815-360-01	0 - 360°	±5'

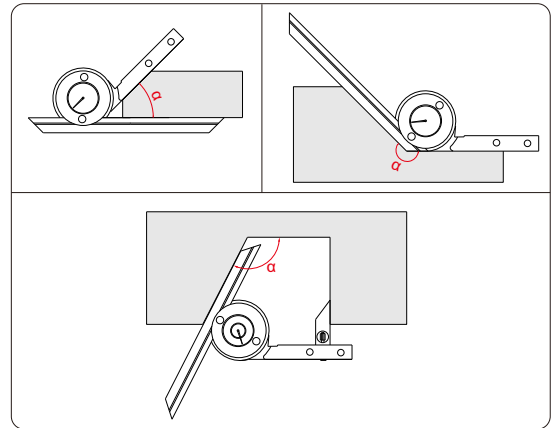
816

UNIVERSAL PROTRACTOR

- ◆ Graduation : 5'
- ◆ With one blade: 150mm
- ◆ Made of carbon steel
- ◆ Optional accessory: clamp for height gages



Application



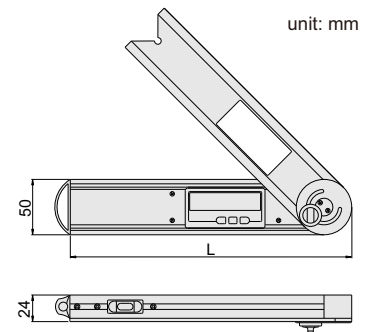
Code	Range	Accuracy
816-360-01	0 - 360°	±5'

726

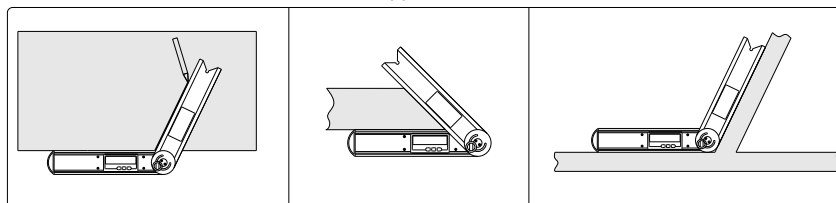
DIGITAL PROTRACTOR



- ◆ Buttons: ON/OFF, HOLD, ZERO, ABS
- ◆ Measuring ranges can be set 0°~225°, -225°~0°, -45°~180°, -180°~45°
- ◆ Remove the locking screw for 360° range
- ◆ With level vial
- ◆ Automatic power off



Application



Code	Range	Resolution	Accuracy	Size(L)
726-360-01	0 - 360°	0.05°	±0.15°	250mm

823

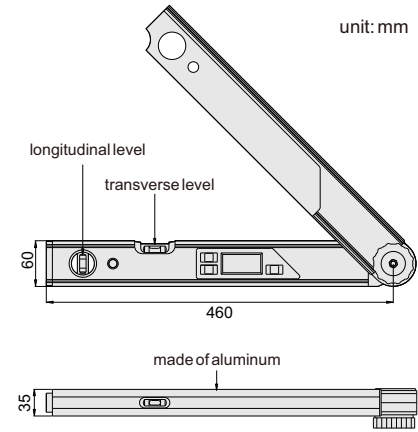
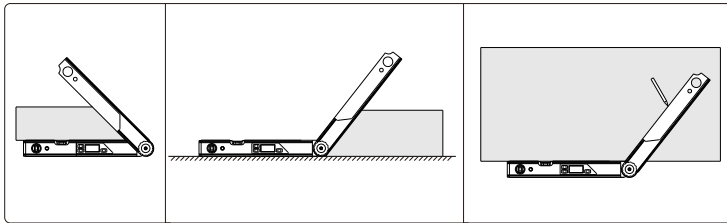
DIGITAL PROTRACTOR



- ◆ Suitable for setting horizontal and vertical mitre angles of cutting machines
- ◆ Buttons: on/off, HOLD/SUP, SPR/CNR/MTR/BVL
- ◆ IP54 dust/waterproof
- ◆ With transverse and longitudinal level
- ◆ Absolute level, zero setting is not needed when batteries are replaced
- ◆ Backlight turns off in one minute after reading is stable, automatic power off in 5 minutes



Application



Code	Range	Resolution	Accuracy
823-225-01	0 - 225°	0.05°	±0.10°

SERIES 824

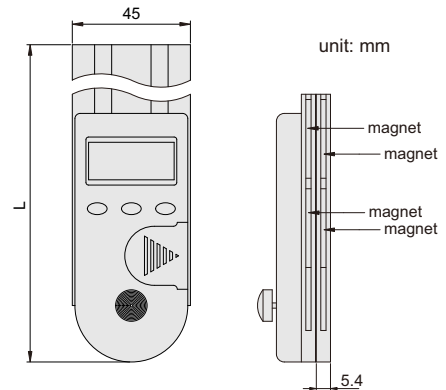
DIGITAL PROTRACTOR



- ◆ Button function:
Hold/Rev: hold/flip
ZERO: set zero
ON/OFF: power on/off
- ◆ With locking screw
- ◆ Side with magnetic force
- ◆ Resolution: 0.05°



824-004-11



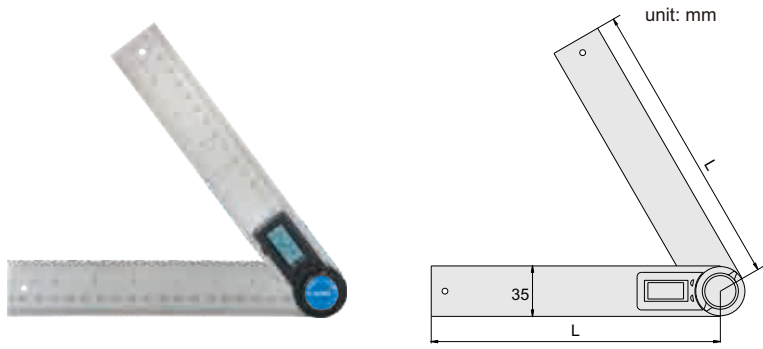
Code	Size	Range	Accuracy	L
824-004-11	100mm	0-360°	±0.2°	103
824-008-11	200mm	0-360°	±0.2°	205
824-012-11	300mm	0-360°	±0.2°	306

SERIES 821

DIGITAL PROTRACTOR

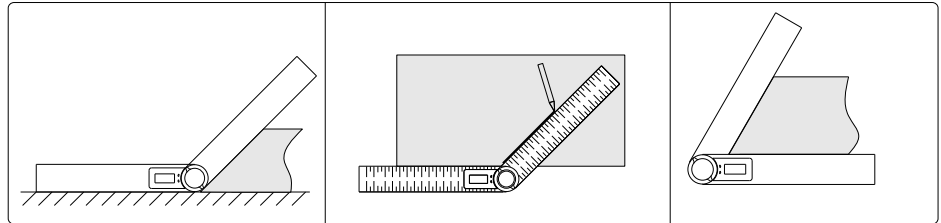


- ◆ Resolution: 0.1°
- ◆ Buttons: on/off, zero
- ◆ With locking attachment
- ◆ Rule graduation: 1mm and 1/32"
- ◆ Automatic power off



821-008-01

Application



Code	Size(L)	Range	Accuracy
821-008-01	200mm	0-360°	±0.3°
821-012-01	300mm	0-360°	±0.3°

SERIES 821

DIGITAL PROTRACTOR

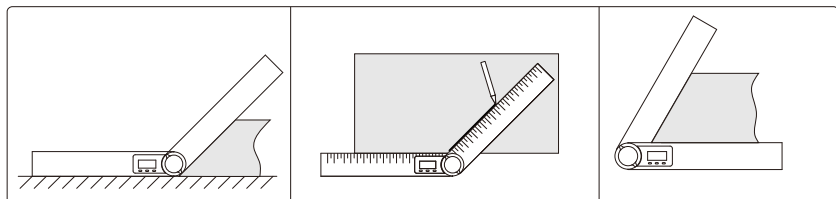


- ◆ Economic type
- ◆ Resolution: 0.1°
- ◆ Buttons: on/off, zero
- ◆ With locking attachment
- ◆ Rule graduation: 1mm and 1/32"
- ◆ Automatic power off



821-008-01N

Application



Code	Size(L)	Range	Accuracy
821-008-01N	200mm	0-360°	±0.3°
821-012-01N	300mm	0-360°	±0.3°

SERIES 817

COMBINATION SQUARE SET

- ◆ **Protractor (made of cast iron), only for 817-180-02:**
Used to set an angle or angle measurement, measuring range: 0-180°, accuracy: ±20'
- ◆ **Square (made of cast iron):**
Used as 90° square or 45° square
accuracy of 90° square: ±8',
accuracy of 45° square: ±10'
- ◆ **Blade (made of stainless steel):**
Used as rule, measuring range: 300mm/12"
front side graduation: 0.5mm and 1/32"
reverse side graduation: 1mm and 1/64"
Used as rule, measuring range: 600mm/24"
front side graduation: 0.5mm and 1/32"
reverse side graduation: 1mm and 1/64"
- ◆ **Center finder (made of cast iron), only for 817-090-13 and 817-180-02:**
To locate center of cylinders with diameter (Ød): 30-100mm, accuracy: ±0.15mm



817-090-12

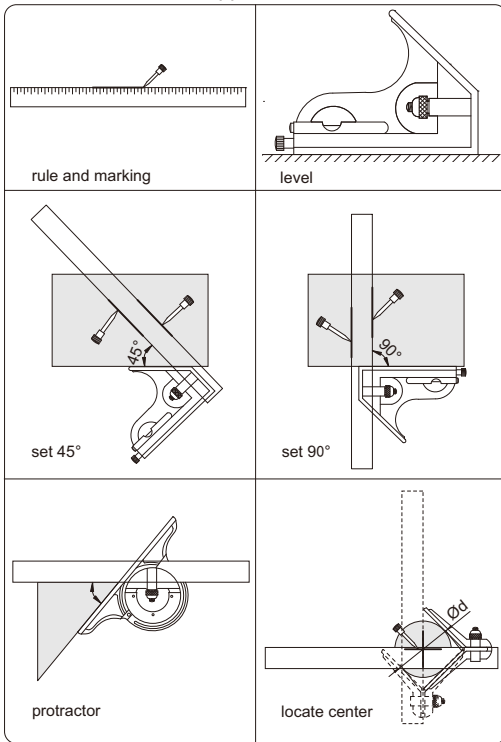


817-090-13



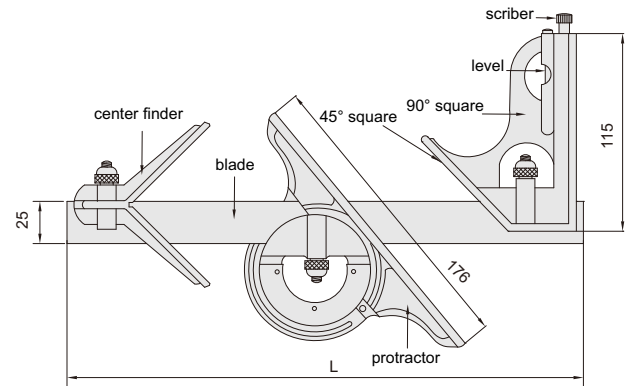
817-180-02

Application

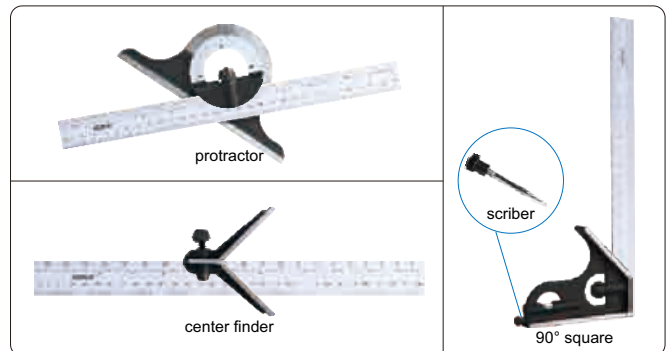


817-000-24

unit: mm



Application



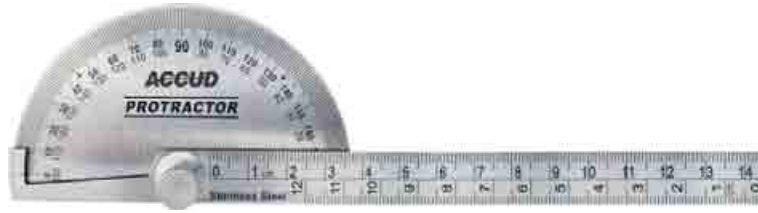
Code	L	Remark
817-090-12	305	2-piece set
817-090-13	305	3-piece set
817-180-02	305	4-piece set

Code	L
817-000-24	610

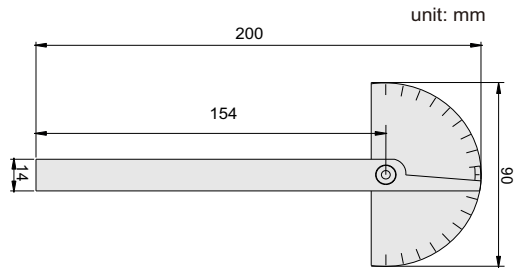
811

PROTRACTOR

- ◆ Economic type
- ◆ Made of stainless steel
- ◆ With locking screw



Package



Code	Size	Range	Graduation	Accuracy
811-180-11	90x52mm	0 - 180°	1°	±0.5°

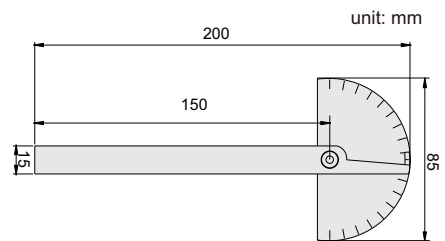
SERIES 811

PROTRACTOR

- ◆ Graduation : 1°
- ◆ Made of stainless steel
- ◆ Satin chrome plated scale
- ◆ With locking screw



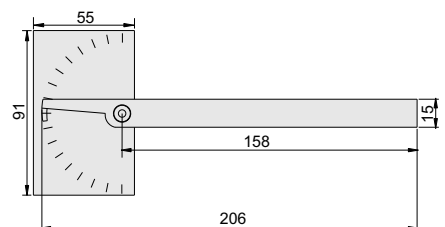
811-180-01



Package



811-180-02



Code	Size	Range	Accuracy
811-180-01	85x150mm	0 - 180°	±0.3°
811-180-02	91x158mm	0 - 180°	±0.3°

SERIES 812

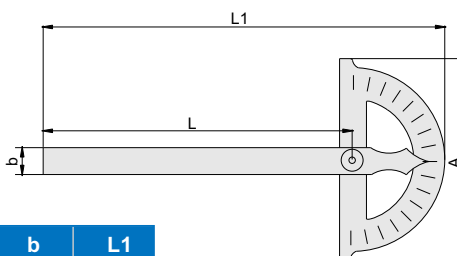
PROTRACTOR

- ◆ Graduation : 1°
- ◆ Made of stainless steel
- ◆ Satin chrome plated scale
- ◆ With locking screw



812-005-01

unit: mm

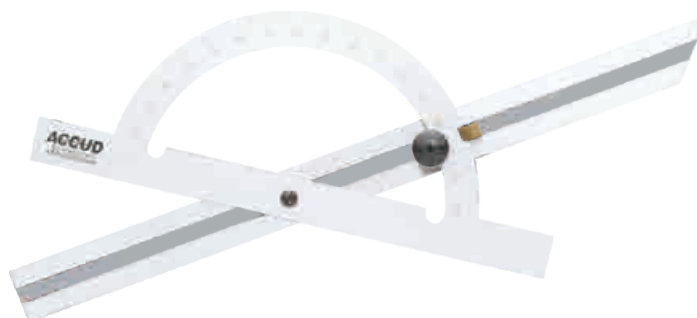


Code	Size(AxL)	Range	Accuracy	b	L1
812-003-01	80x120mm	0 - 180°	±0.3°	11	165
812-005-01	120x150mm	0 - 180°	±0.3°	13	215
812-006-01	150x200mm	0 - 180°	±0.3°	16	280
812-008-01	200x300mm	0 - 180°	±0.3°	20	410
812-012-01	300x500mm	0 - 180°	±0.3°	30	675

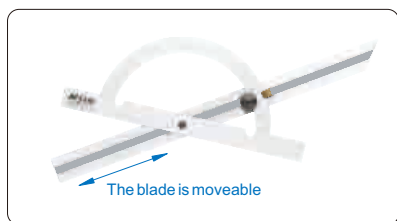
SERIES 813

PROTRACTOR

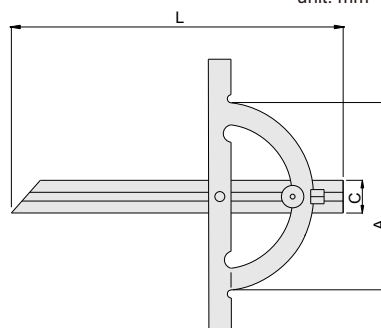
- ◆ Graduation : 1°
- ◆ Made of stainless steel
- ◆ Satin chrome plated scale
- ◆ The blade is moveable



813-012-01



unit: mm



Code	Size(AxL)	Range	Accuracy	C
813-006-01	100x150mm	10 - 170°	±0.3°	18
813-012-01	150x300mm	10 - 170°	±0.3°	18
813-016-01	200x400mm	10 - 170°	±0.3°	20
813-020-01	250x500mm	10 - 170°	±0.3°	20
813-024-01	300x600mm	10 - 170°	±0.3°	20

SERIES 832

90° BEVELED EDGE SQUARE

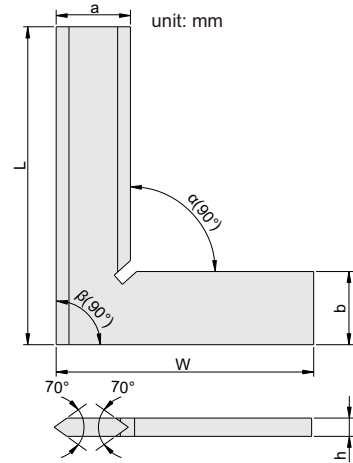
- ◆ Two beveled measuring faces
- ◆ Made of hardened stainless steel

Grade 00

Code	Size(LxW)	Squareness(α)	Squareness(β)	Chrome plating	a	b	h
832-002-00	50x40mm	2.4 μ m	2.5 μ m	With	13	13	4
832-003-00	75x50mm	2.6 μ m	2.8 μ m	With	15	15	4
832-004-00	100x70mm	2.8 μ m	3.0 μ m	With	20	20	5
832-006-00	150x100mm	3.2 μ m	3.5 μ m	With	30	30	6
832-008-00	200x130mm	3.7 μ m	4.0 μ m	With	34	34	7
832-010-00	250x165mm	4.2 μ m	4.5 μ m	Without	35	35	7
832-012-00	300x200mm	4.6 μ m	5.0 μ m	Without	40	40	8

Grade 0

Code	Size(LxW)	Squareness(α)	Squareness(β)	Chrome plating	a	b	h
832-002-10	50x40mm	6 μ m	6 μ m	With	13	13	4
832-003-10	75x50mm	6 μ m	7 μ m	With	15	15	4
832-004-10	100x70mm	7 μ m	7 μ m	With	20	20	5
832-006-10	150x100mm	7 μ m	8 μ m	With	30	30	6
832-008-10	200x130mm	8 μ m	9 μ m	With	34	34	7
832-010-10	250x165mm	9 μ m	10 μ m	Without	35	35	7
832-012-10	300x200mm	10 μ m	11 μ m	Without	40	40	8



SERIES 840

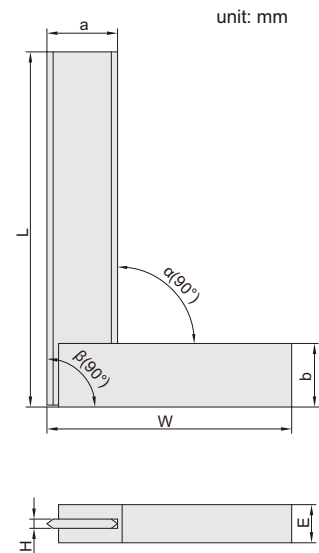
90° BEVELED EDGE SQUARE WITH WIDE BASE

- ◆ DIN875 grade 0
- ◆ Beveled edges for inside and outside measurement
- ◆ Made of hardened stainless steel



840-006-10

Code	Size(LxW)	Squareness		a	b	H	E
		Inside(α)	Outside(β)				
840-002-10	50x40mm	6 μ m	6 μ m	12	12	3	10
840-003-10	75x50mm	6 μ m	7 μ m	14	14	3	10
840-004-10	100x70mm	7 μ m	7 μ m	18	18	3	10
840-006-10	150x100mm	8 μ m	8 μ m	22	22	4	12
840-008-10	200x130mm	9 μ m	9 μ m	25	25	4	12



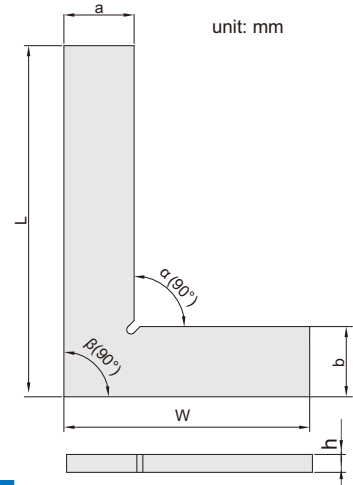
SERIES 841

90° FLAT EDGE SQUARE

- ◆ DIN875 grade 0
- ◆ Made of hardened stainless steel



841-004-10



Code	Size(LxW)	Squareness(α)	Squareness(β)	a	b	h
841-002-10	50x40mm	6 μ m	6 μ m	15	15	4
841-003-10	75x50mm	6 μ m	7 μ m	15	15	4
841-004-10	100x70mm	7 μ m	7 μ m	20	20	5
841-006-10	150x100mm	7 μ m	8 μ m	30	30	6
841-008-10	200x130mm	8 μ m	9 μ m	34	34	7
841-010-10	250x165mm	9 μ m	10 μ m	35	35	7
841-012-10	300x200mm	10 μ m	11 μ m	40	40	8

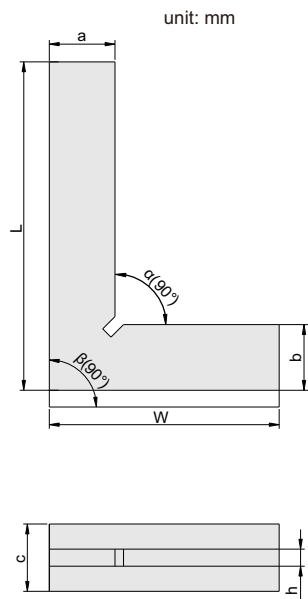
SERIES 842

90° FLAT EDGE SQUARE WITH WIDE BASE

- ◆ DIN875 grade 0
- ◆ Made of hardened stainless steel



842-004-10



Code	Size(LxW)	Squareness(α)	Squareness(β)	a	b	c	h
842-002-10	50x40mm	6 μ m	6 μ m	13	13	13	4
842-003-10	75x50mm	6 μ m	7 μ m	15	15	15	4
842-004-10	100x70mm	7 μ m	7 μ m	20	20	20	5
842-006-10	150x100mm	7 μ m	9 μ m	30	30	30	6
842-008-10	200x130mm	8 μ m	9 μ m	34	34	30	7
842-010-10	250x165mm	9 μ m	10 μ m	35	35	35	7
842-012-10	300x200mm	10 μ m	11 μ m	40	40	40	8

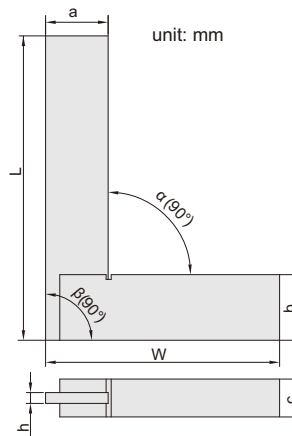
SERIES 843

90° FLAT EDGE SQUARE WITH WIDE BASE

- ◆ DIN875 grade 0
- ◆ Made of hardened stainless steel



843-004-10



Code	Size(LxW)	Squareness(α)	Squareness(β)	a	b	c	h
843-002-10	50x40mm	6 μ m	6 μ m	12	12	10	3
843-003-10	75x50mm	6 μ m	7 μ m	14	14	10	3
843-004-10	100x70mm	7 μ m	7 μ m	18	18	10	3
843-006-10	150x100mm	8 μ m	8 μ m	22	22	12	4
843-008-10	200x130mm	9 μ m	9 μ m	25	25	12	4

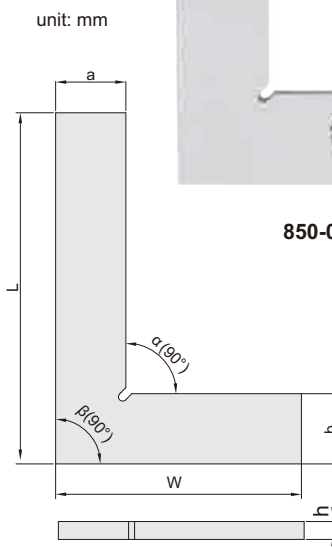
SERIES 850

MACHINIST SQUARE

- ◆ Made of carbon steel, no anti-rust treatment, not hardened



850-006-02



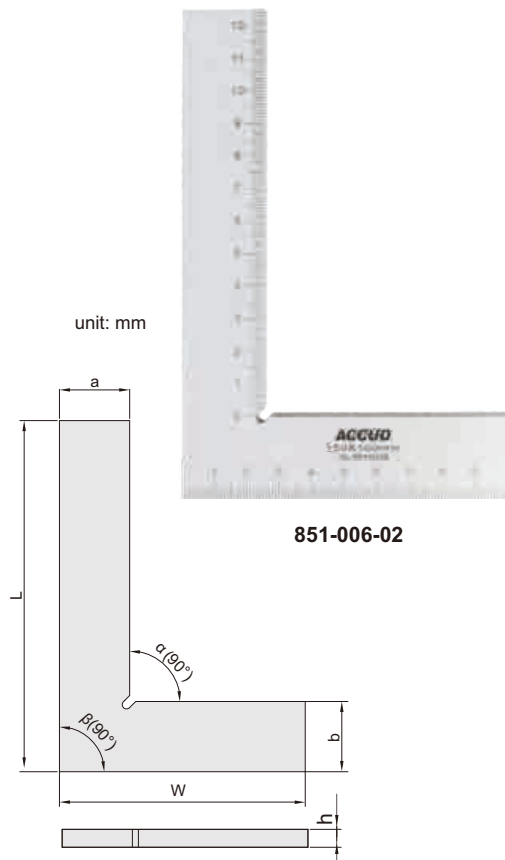
Code	Size(LxW)	Squareness		a	b	h
		Inside(α)	Outside(β)			
850-002-02	50x30mm	24 μ m	25 μ m	12	12	3
850-003-02	75x50mm	26 μ m	28 μ m	16	16	3
850-004-02	100x70mm	28 μ m	30 μ m	19	19	5
850-005-02	125x80mm	30 μ m	33 μ m	22	22	5
850-006-02	150x100mm	33 μ m	35 μ m	25	25	6
850-008-02	200x130mm	38 μ m	40 μ m	25	25	6
850-010-02	250x165mm	43 μ m	45 μ m	25	25	6
850-012-02	300x200mm	47 μ m	50 μ m	30	30	6
850-014-02	350x200mm	51 μ m	55 μ m	38	38	6
850-016-02	400x200mm	56 μ m	60 μ m	38	38	9
850-018-02	450x250mm	58 μ m	65 μ m	38	38	9
850-020-02	500x300mm	65 μ m	70 μ m	38	38	9

SERIES 851

MACHINIST SQUARE WITH SCALE

- ◆ Made of carbon steel, no anti-rust treatment, not hardened

Code	Size(LxW)	Squareness		a	b	h
		Inside(α)	Outside(β)			
851-002-02	50x30mm	24 μ m	25 μ m	12	12	3
851-003-02	75x50mm	26 μ m	28 μ m	16	16	3
851-004-02	100x70mm	28 μ m	30 μ m	19	19	5
851-005-02	125x80mm	30 μ m	33 μ m	22	22	5
851-006-02	150x100mm	33 μ m	35 μ m	25	25	6
851-008-02	200x130mm	38 μ m	40 μ m	25	25	6
851-010-02	250x165mm	43 μ m	45 μ m	25	25	6
851-012-02	300x200mm	47 μ m	50 μ m	30	30	6
851-014-02	350x200mm	51 μ m	55 μ m	38	38	6
851-016-02	400x200mm	56 μ m	60 μ m	38	38	9
851-018-02	450x250mm	58 μ m	65 μ m	38	38	9
851-020-02	500x300mm	65 μ m	70 μ m	38	38	9

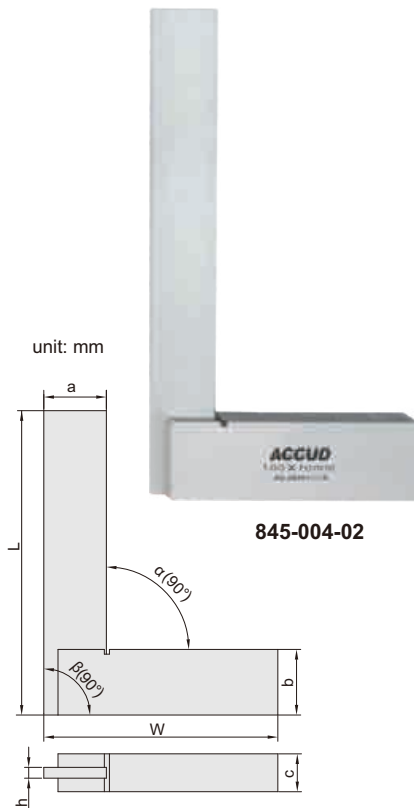


SERIES 845

MACHINIST SQUARE WITH WIDE BASE

- ◆ DIN875 grade 2
- ◆ Made of carbon steel

Code	Size(LxW)	Squareness(α)	Squareness(β)	a	b	c	h
845-002-02	50x40mm	24 μ m	25 μ m	16	12	9	3
845-003-02	75x50mm	26 μ m	28 μ m	16	16	9	3
845-004-02	100x70mm	28 μ m	30 μ m	19	19	12	3
845-006-02	150x100mm	33 μ m	35 μ m	25	25	16	3
845-008-02	200x130mm	37 μ m	40 μ m	30	32	16	4
845-010-02	250x165mm	42 μ m	45 μ m	30	32	19	4
845-012-02	300x200mm	47 μ m	50 μ m	32	32	19	4
845-016-02	400x250mm	56 μ m	60 μ m	38	38	22	5
845-020-02	500x300mm	65 μ m	70 μ m	45	50	25	6
845-024-02	600x350mm	75 μ m	80 μ m	50	50	30	6
845-030-02	750x400mm	90 μ m	95 μ m	55	55	50	6
845-036-02	900x500mm	103 μ m	110 μ m	65	75	50	9
845-040-02	1000x550mm	113 μ m	120 μ m	65	75	50	9

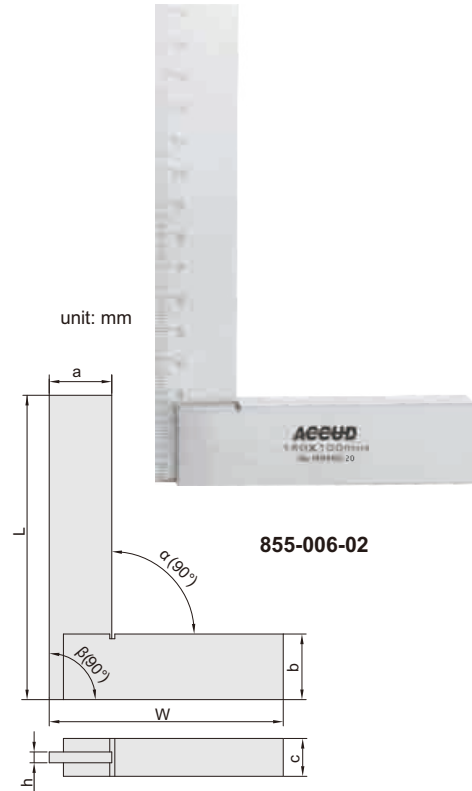


SERIES 855

MACHINIST SQUARE WITH WIDE BASE AND SCALE

- ◆ Made of carbon steel, no anti-rust treatment, not hardened

Code	Size(LxW)	Squareness		a	b	h	c
		Inside(α)	Outside(β)				
855-002-02	50x30mm	24 μ m	25 μ m	16	12	2.5	9
855-003-02	75x50mm	26 μ m	28 μ m	16	16	2.5	9
855-004-02	100x70mm	28 μ m	30 μ m	19	19	3	12
855-005-02	125x80mm	31 μ m	33 μ m	22	19	3	12
855-006-02	150x100mm	33 μ m	35 μ m	25	25	3	16
855-008-02	200x130mm	37 μ m	40 μ m	30	32	3	16
855-010-02	250x165mm	42 μ m	45 μ m	30	32	3	19
855-012-02	300x200mm	47 μ m	50 μ m	32	32	3	19
855-014-02	350x200mm	51 μ m	55 μ m	38	38	4.5	22
855-016-02	400x200mm	56 μ m	60 μ m	38	38	4.5	22
855-018-02	450x250mm	61 μ m	65 μ m	44	38	4.5	22
855-020-02	500x300mm	65 μ m	70 μ m	44	50	6	25
855-024-02	600x350mm	75 μ m	80 μ m	50	50	6	30
855-030-02	750x400mm	90 μ m	95 μ m	55	55	6	50
855-036-02	900x500mm	103 μ m	110 μ m	65	75	9	50
855-040-02	1000x550mm	113 μ m	120 μ m	65	75	9	50



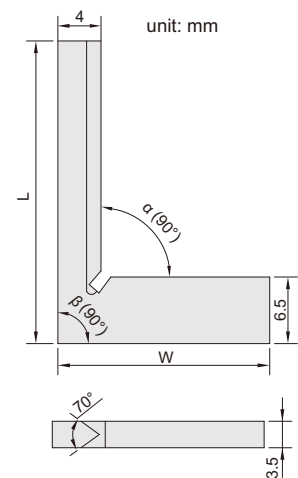
SERIES 833

90° TOOL MAKER SQUARE

- ◆ DIN875 grade 00
- ◆ Beveled edge for inside measurement
- ◆ Made of hardened stainless steel



833-040-00

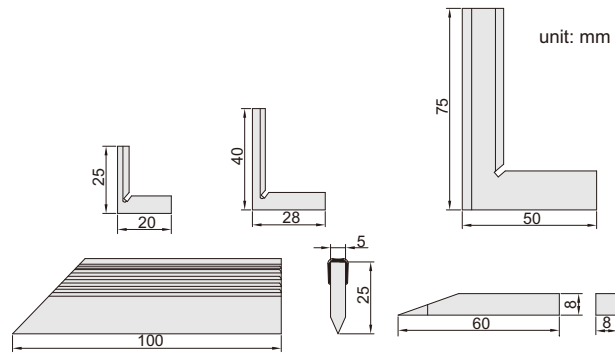
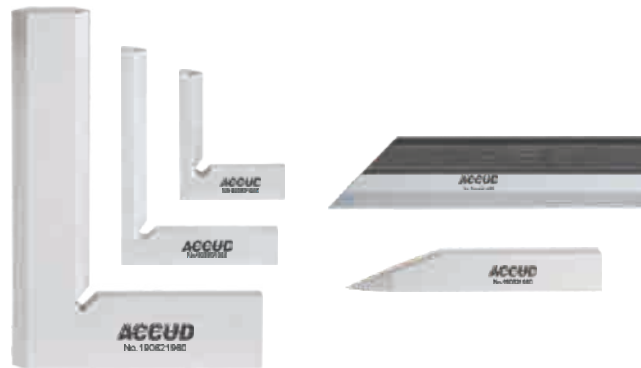


Code	Size(LxW)	Squareness	
		Inside(α)	Outside(β)
833-025-00	25x20mm	2.2 μ m	2.3 μ m
833-040-00	40x28mm	2.3 μ m	2.4 μ m

839

SQUARE SET

- ◆ Includes:
 - 90° tool maker square 25x20mm
DIN875 grade 00 (code 833-025-00)
 - 90° tool maker square 40x28mm
DIN875 grade 00 (code 833-040-00)
 - 90° beveled edge square 75x50mm
DIN875 grade 00 (code 832-003-00)
 - straight edge 100mm
DIN874 (code 994-004-01)
 - scriber
- ◆ Made of hardened stainless steel



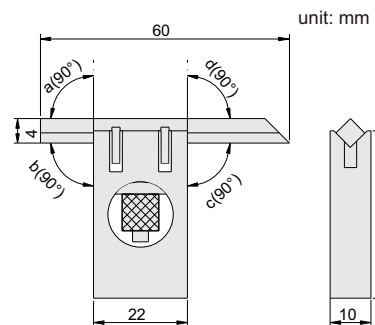
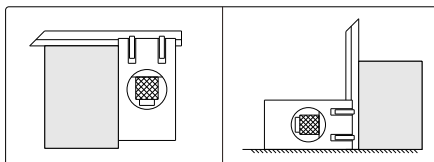
Code

839-000-05

831

ADJUSTABLE SQUARE

- ◆ The straight edge can move and can be locked by the screw
- ◆ Made of hardened stainless steel



Code

831-002-10

Squareness (a, b, c, d)

7µm



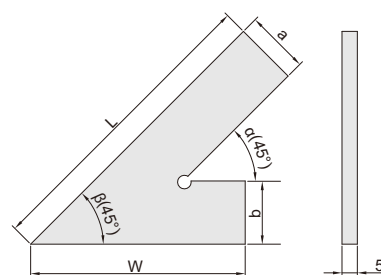
SERIES 846

45° SQUARE

◆ Made of hardened stainless steel



846-006-02



unit: mm

Code	Size(LxW)	Accuracy		a	b
		Inside(α)	Outside(β)		
846-005-02	120x80mm	29 μ m	32 μ m	20	20
846-006-02	150x100mm	32 μ m	35 μ m	20	20
846-008-02	200x130mm	36 μ m	40 μ m	25	25

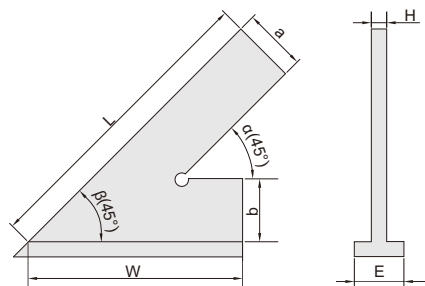
SERIES 856

45° SQUARE WITH WIDE BASE

◆ Made of hardened stainless steel



856-006-02



unit: mm

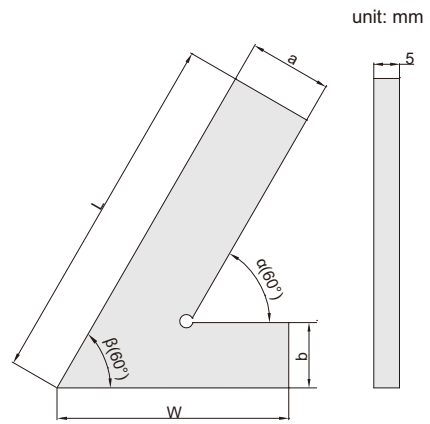
PROTRACTOR

Code	Size(LxW)	Accuracy		a	b	H	E
		Inside(α)	Outside(β)				
856-005-02	120x80mm	29 μ m	32 μ m	20	20	5	20
856-006-02	150x100mm	32 μ m	35 μ m	20	20	5	20
856-008-02	200x130mm	36 μ m	40 μ m	25	25	5	25

SERIES 847

60° SQUARE

◆ Made of hardened stainless steel



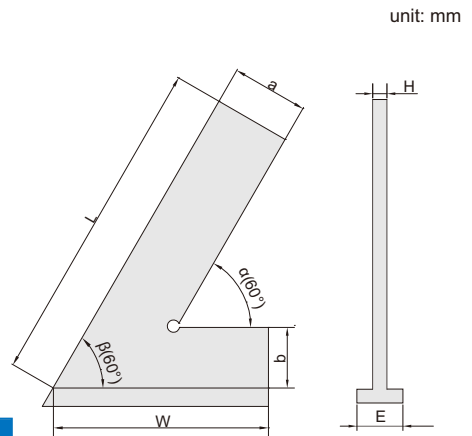
847-006-02

Code	Size(LxW)	Accuracy		a	b
		Inside(α)	Outside(β)		
847-004-02	100x70mm	28 μ m	30 μ m	20	20
847-005-02	120x80mm	30 μ m	32 μ m	20	20
847-006-02	150x100mm	32 μ m	35 μ m	20	20
847-008-02	200x130mm	37 μ m	40 μ m	25	25

SERIES 857

60° SQUARE WITH WIDE BASE

◆ Made of hardened stainless steel



857-006-02

Code	Size(LxW)	Accuracy		a	b	H	E
		Inside(α)	Outside(β)				
857-005-02	120x80mm	30 μ m	33 μ m	20	20	5	20
857-006-02	150x100mm	33 μ m	36 μ m	20	20	5	20
857-008-02	200x130mm	37 μ m	41 μ m	25	25	5	25



SERIES 848

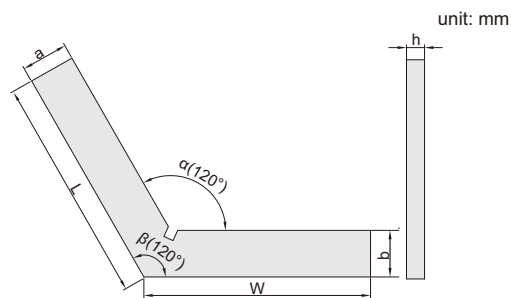
120° SQUARE

◆ Made of hardened stainless steel



848-004-02

Code	Size(LxW)	Accuracy		a	b	h
		Inside(α)	Outside(β)			
848-002-02	50x50mm	24 μ m	25 μ m	15	15	4
848-003-02	75x75mm	26 μ m	28 μ m	20	20	5
848-004-02	100x100mm	29 μ m	30 μ m	20	20	5
848-006-02	150x150mm	34 μ m	35 μ m	25	25	5
848-008-02	200x200mm	38 μ m	40 μ m	30	30	7



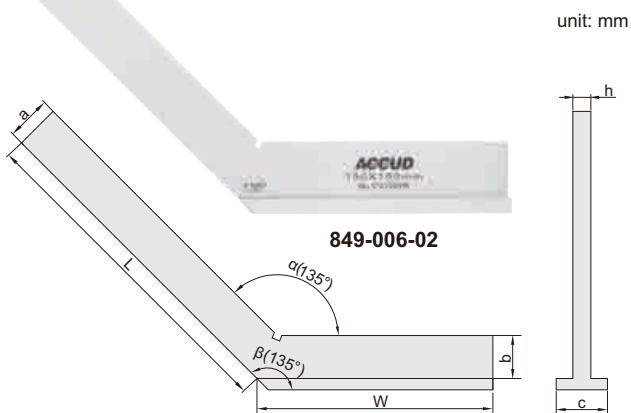
SERIES 849

135° SQUARE WITH WIDE BASE

◆ Made of hardened stainless steel



849-006-02



Code	Size(LxW)	Accuracy		a	b	c	h
		Inside(α)	Outside(β)				
849-005-02	120x80mm	31 μ m	33 μ m	20	20	20	5
849-006-02	150x100mm	34 μ m	36 μ m	20	20	20	5
849-008-02	200x130mm	39 μ m	41 μ m	30	30	30	7

SERIES 643

GRANITE SQUARE

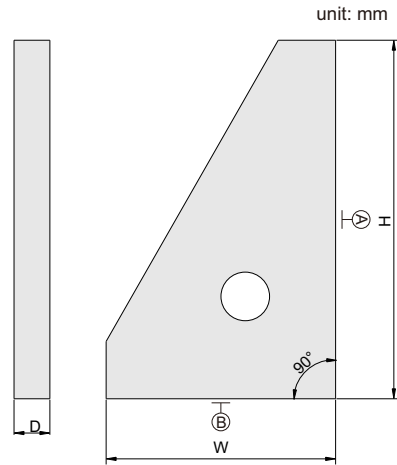


CUSTOM-MADE

other sizes are available upon request



643-010-01



Code	Size(HxW)	Flatness (A)	Flatness (B)	Squareness(A and B)	D
643-010-01	250x160mm	1µm	1µm	2µm	50mm
643-016-01	400x250mm	1.5µm	1µm	3µm	50mm
643-024-01	630x400mm	2µm	1.5µm	4µm	60mm

With manufacturer inspection certificate

SERIES 644

GRANITE SQUARE

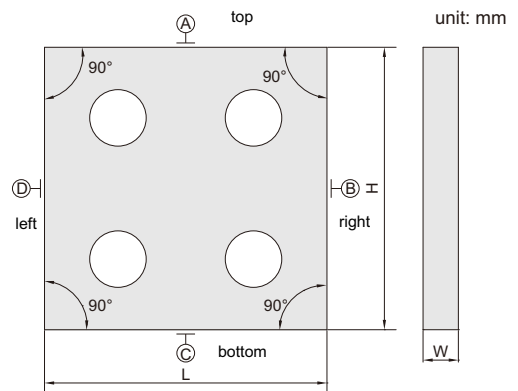


CUSTOM-MADE

other sizes are available upon request



644-012-01



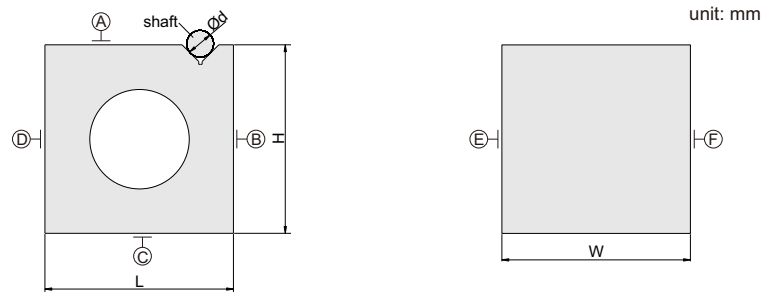
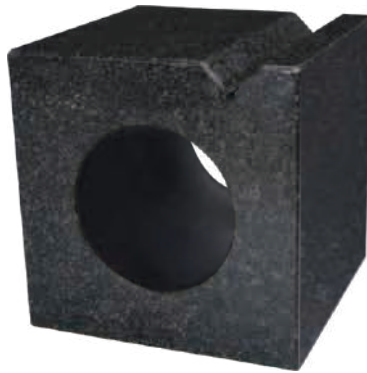
Code	Size(LxH)	Flatness (A, B, C and D)	Parallelism or squareness (A, B, C and D)	W
644-012-01	315x315mm	1.1µm	2.6µm	40
644-020-01	500x500mm	1.5µm	3.5µm	60

With manufacturer inspection certificate

645

GRANITE SQUARE AND V-BLOCK

◆ Thread holes: M8



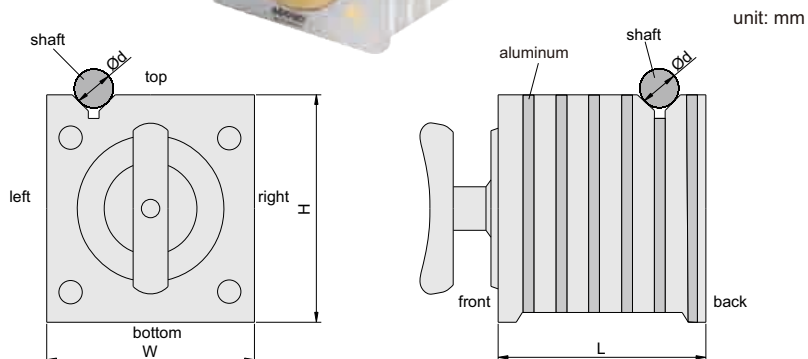
Code	Size(LxWxH)	Range of shafts (Ød)	Parallelism or squareness A, B, C, D, E and F	Parallelism or squareness of V grooves to A, B, C, D, E and F
645-006-01	160x160x160mm	6 - 42mm	6µm	6µm

SERIES 649

MAGNETIC SQUARE AND V-BLOCK



649-004-01



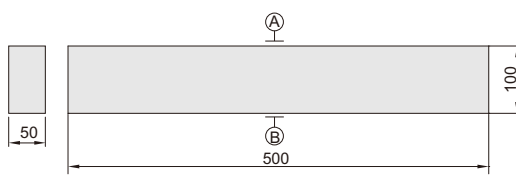
Code	Size(LxWxH)	Magnetic force		Range of shafts (Ød)	Parallelism or squareness between top, bottom, left, right and back sides	Parallelism or squareness of both V grooves to top, bottom, left, right and back sides
		V-groove	Surface			
649-004-01	100x100x100mm	25kgf	50kgf	6 - 36mm	20µm	20µm
649-006-01	150x150x150mm	50kgf	140kgf	6 - 44mm	25µm	25µm

SERIES 642

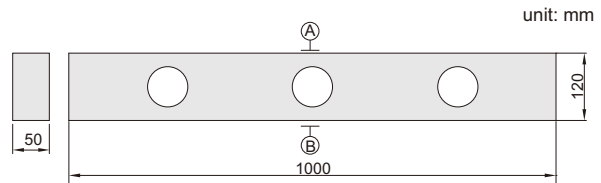
GRANITE STRAIGHT EDGE



642-020-01



642-020-01



642-040-01

unit: mm

Code	Length(L)	Flatness of A and B	Parallelism between A and B	W	H
642-020-01	500mm	2.1µm	3.2µm	50	100
642-040-01	1000mm	3µm	4.5µm	50	120

With manufacturer inspection certificate

SERIES 648

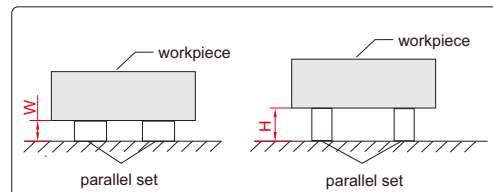
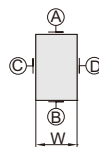
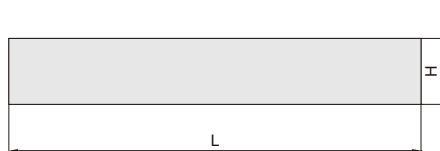
GRANITE PARALLEL SET



- ◆ Made of granite
- ◆ Two parallels per set



unit: mm



Code	Size(LxWxH)	Parallelism between A and B	Parallelism between C and D	Height difference of a matched pair
648-250-01	250x25x40mm	3µm	3µm	3µm

With manufacturer inspection certificate

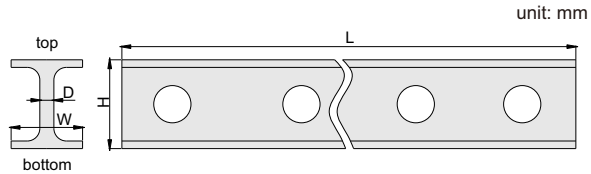
SERIES 647

MAGNALIUM STRAIGHT EDGES

- ◆ Made of magnalium, light weight, non-deform, no rusty



647-040-01



Code	Length(L)	Flatness of top and bottom	Parallelism between top and bottom	H	W	D
647-020-01	500mm	3µm	4µm	60	30	5
647-040-01	1000mm	5µm	8µm	60	30	5
647-060-01	1500mm	15µm	22µm	100	40	7
647-080-01	2000mm	18µm	27µm	100	40	7
647-100-01	2500mm	22µm	33µm	100	40	7
647-120-01	3000mm	48µm	72µm	150	80	8
647-140-01	3500mm	56µm	84µm	150	80	8
647-160-01	4000mm	64µm	110µm	150	80	10
647-200-01	5000mm	80µm	130µm	175	80	10
647-240-01	6000mm	100µm	150µm	175	80	10

SERIES 994

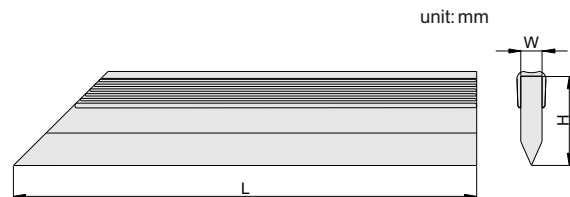
STRAIGHT EDGE

- ◆ Beveled edge to check the flatness
- ◆ DIN874
- ◆ Made of stainless steel
- ◆ Stain chrome plating



994-004-01

Code	Size (L)	Straightness	W	H
994-002-01	50mm	1.0µm	5	20
994-003-01	75mm	1.0µm	5	25
994-004-01	100mm	1.0µm	5	25
994-005-01	125mm	1.0µm	5	25
994-006-01	150mm	1.0µm	6	30
994-008-01	200mm	2.0µm	6	30
994-010-01	250mm	2.0µm	8	40
994-012-01	300mm	3.0µm	8	40
994-016-01	400mm	3.0µm	10	50
994-020-01	500mm	4.0µm	10	50



PARALLEL

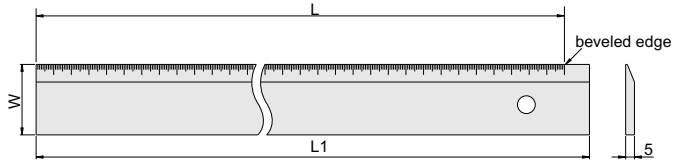
SERIES 991

STRAIGHT EDGE RULE



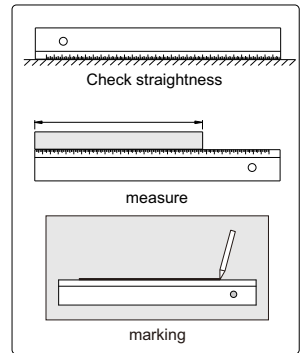
991-012-01

unit: mm



- ◆ Check straightness, as well as for measurement
- ◆ Made of hardened tool steel, chrome plated
- ◆ Graduation: 1mm

Application



Code	Range(L)	Straightness	W	L1
991-012-01	300mm	0.02mm	40	310
991-020-01	500mm	0.03mm	40	510
991-040-01	1000mm	0.04mm	50	1010

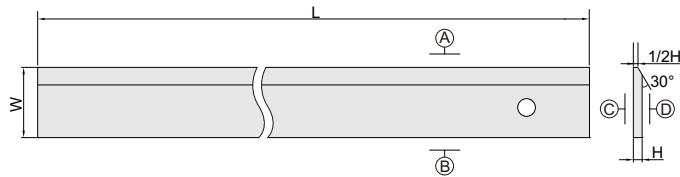
SERIES 907

PRECISION STRAIGHT EDGE WITH BEVELED EDGE



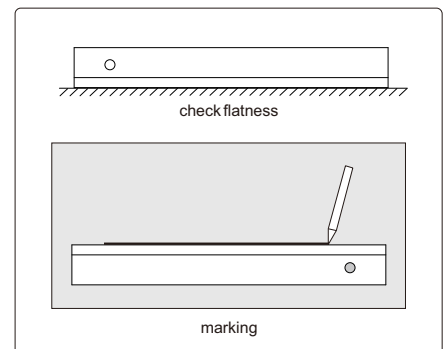
907-012-11

unit: mm



- ◆ Check flatness and for marking
- ◆ Made of tool steel

Application



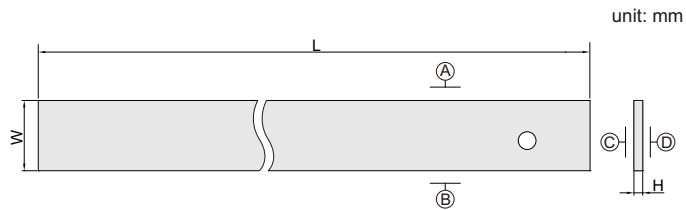
Code	Range(L)	Flatness of A and B	Flatness of C and D	W	H
907-012-11	305mm	0.005mm	0.05mm	41	6.3
907-024-11	610mm	0.006mm	0.06mm	51	7.9
907-036-11	914mm	0.007mm	0.06mm	64	9.5

SERIES 906

PRECISION STRAIGHT EDGE



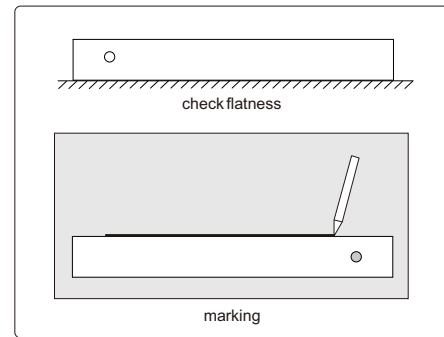
906-012-11



unit: mm

- ◆ Check flatness and for marking
- ◆ Made of tool steel

Application



Code	Range(L)	Flatness of A and B	Flatness of C and D	W	H
906-012-11	305mm	0.005mm	0.05mm	41	6.3
906-024-11	610mm	0.006mm	0.06mm	51	7.9
906-036-11	914mm	0.007mm	0.06mm	64	9.5

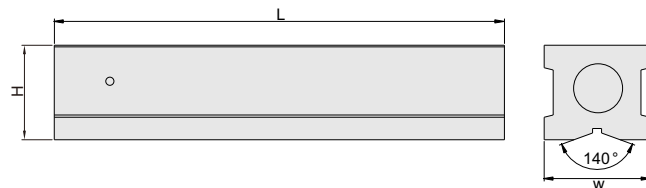
SERIES 713

BLOCK LEVEL

- ◆ For use in setting machined surfaces precisely horizontal
- ◆ Sensibility: 0.02mm/m per division
- ◆ Vee angle : 140°



713-006-02



unit: mm

Code	Size (L)	H	W
713-006-02	150mm	42	47
713-008-02	200mm	45	47
713-012-02	300mm	45	49

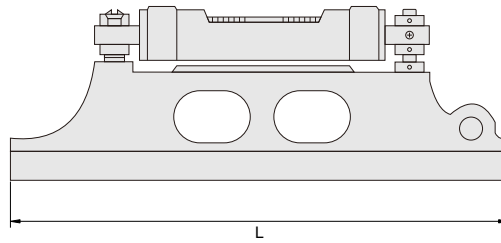
SERIES 715

BLOCK LEVEL

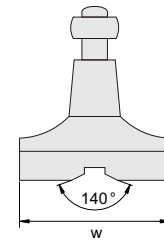
- ◆ For use in setting machined surfaces precisely horizontal
- ◆ Vee angle : 140°



715-008-05



unit: mm



Sensibility 0.05mm/m

Code	Size (L)	W
715-006-05	150mm	38
715-008-05	200mm	44
715-012-05	300mm	44

Sensibility 0.1mm/m

Code	Size (L)	W
715-006-10	150mm	38
715-008-10	200mm	44
715-012-10	300mm	44

SERIES 711

FRAME LEVEL

- ◆ For using setting machined surfaces precisely horizontal and vertical
- ◆ Sensibility: 0.02mm/m per division
- ◆ V-groove on the bottom and left for shafts (711-004-02 only has v-groove on the bottom)

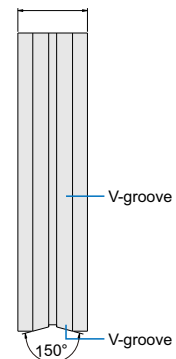
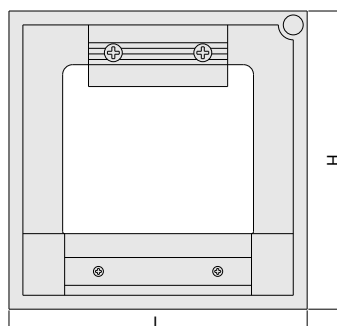


711-006-02



711-004-02

unit: mm



Code	Size (LxHxW)
711-004-02	100x100x32mm
711-006-02	150x150x38mm
711-008-02	200x200x40mm
711-012-02	300x300x45mm

712

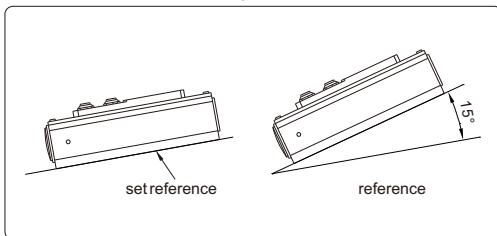
DIGITAL LEVEL



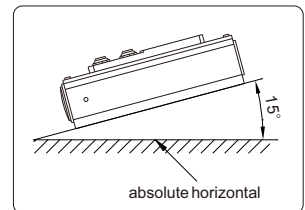
- ◆ Sensibility: 0.01mm/m(0.001°)
- ◆ Accuracy: 10mm range $\leq \pm 0.01$ mm/m
10mm-50mm range $\leq \pm 0.02$ mm/m
- ◆ For use in setting machined surfaces precisely horizontal
- ◆ With longitudinal level
- ◆ Buttons: on/off, zero, mm/inch, save/mode, ABS
- ◆ 3.6V li-ion battery for 15 hours working
- ◆ Memory: 6



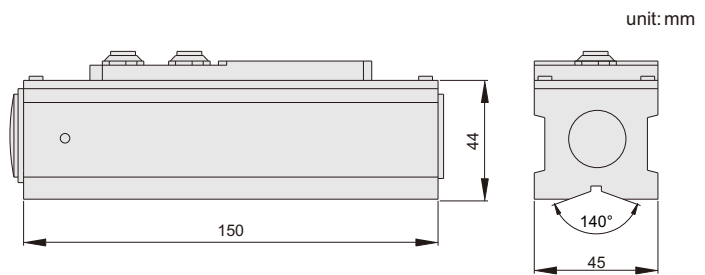
Use as protractor



Use as level



Code	Range	Graduation
712-006-01	± 50 mm/m	0.01mm/m

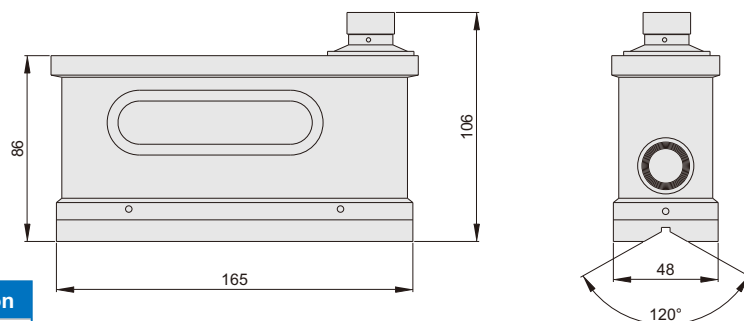


unit: mm

714

OPTICAL IMAGE LEVEL

- ◆ Sensibility: 0.01mm/m(0.001°)
- ◆ Accuracy: ± 0.01 mm/m(range: ± 1 mm)
 ± 0.02 mm/m(other)
- ◆ For use in setting machined surfaces precisely horizontal



unit: mm

Code	Range	Graduation
714-006-01	0-10mm/m(± 5 mm/m)	0.01mm/m



- ◆ Measures flatness, parallelism and straightness
- ◆ Built-in bluetooth, can be connected to computers, transmission distance is 50m
- ◆ The LCD can be rotated for easy observation in different directions
- ◆ V-groove on bottom for shafts
- ◆ Supplied with measuring software



Rechargeable battery



Lithium battery socket



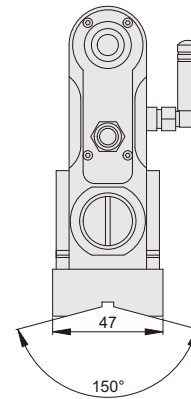
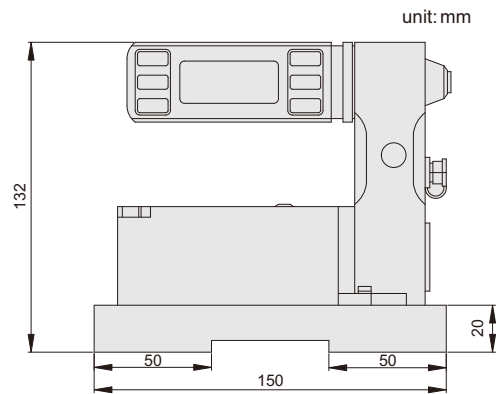
Charging cable



Control box



Wireless transmitter



SPECIFICATION

Code	720-250-01	
Resolution(adjustable)	10µm/m	1µm/m
Range	±5000µm/m	±500µm/m
Display range	0-±500(numbers)	0-±2500(numbers)
Accuracy	±(1+A×2%)note: A is the absolute value of the nominal value of the identification location	
Response time	<3 sec	
Data output	433	
Repeatability	≤1 number	
Working temperature	20°C±2°C	
Working humidity	<75%	
Power supply	rechargeable battery	
Size	150x47x170mm	
Weight	1.8kg	

INCLUDED ACCESSORIES

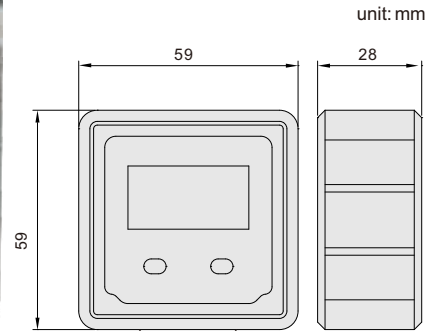
Charging cable	1pc
Control box	1pc
Rechargeable battery	2pcs
Wireless transmitter	1pc
Lithium battery socket	1pc
Measuring software	1pc

721

DIGITAL LEVEL



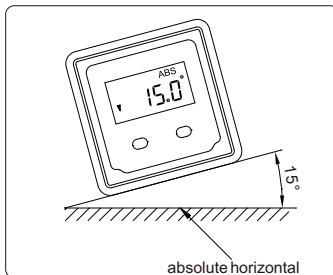
- ◆ Use as level or protractor
- ◆ Accuracy : $\pm 0.1^\circ$ (vertical and horizontal), $\pm 0.2^\circ$ (other direction)
- ◆ Absolute horizontal reference can save in memory for ever
- ◆ Button: on/off, zero
- ◆ Magnetic base
- ◆ Use in 4 directions
- ◆ Automatic power off



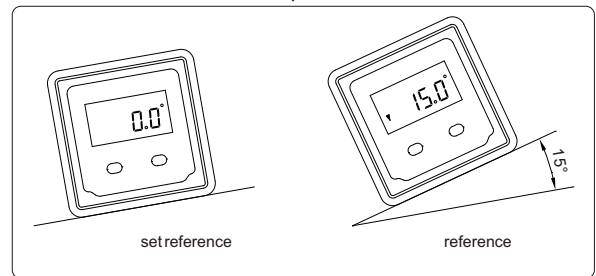
unit: mm

use as magnet

Use as level



Use as protractor



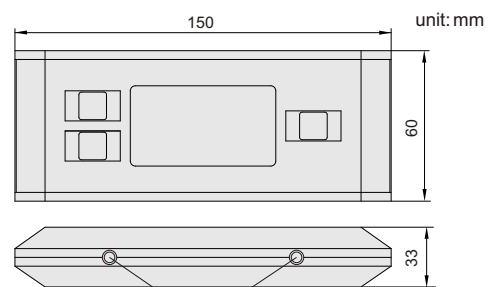
Code	Range	Resolution
721-180-01	0 - 360° (90°x4)	0.05°

722

DIGITAL LEVEL



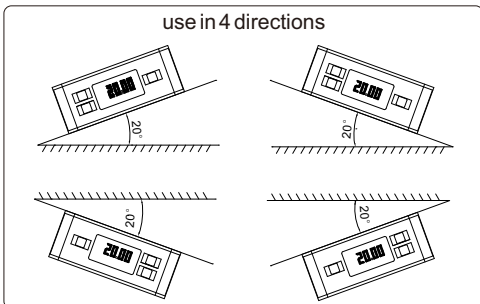
- ◆ Use as level or protractor
- ◆ Resolution: 0.05°
- ◆ Accuracy : $\pm 0.1^\circ$ (vertical and horizontal), $\pm 0.2^\circ$ (other direction)
- ◆ Magnetic base, with groove
- ◆ Aluminum frame provides with high rigidity and low weight
- ◆ Absolute horizonation reference can save in memory for ever



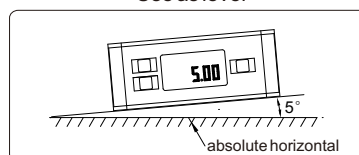
unit: mm

Magnetic base

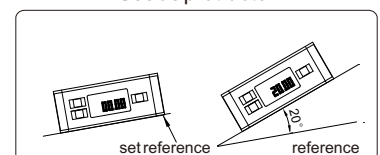
use in 4 directions



Use as level



Use as protractor



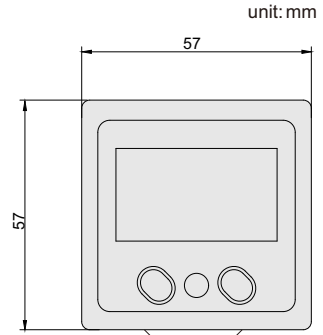
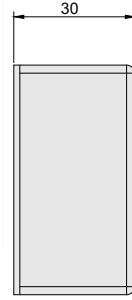
Code	Range	Dimension(LxWxH)
722-360-01	0 - 360° (90°x4)	150x60x33mm

723

DIGITAL LEVEL



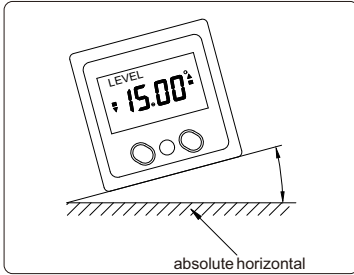
- ◆ Use as level or protractor
- ◆ Use in 4 directions
- ◆ Magnetic base
- ◆ Accuracy : $\pm 0.1^\circ$ (vertical and horizontal), $\pm 0.2^\circ$ (other direction)
- ◆ Metal cover
- ◆ Adjust the display direction automatically



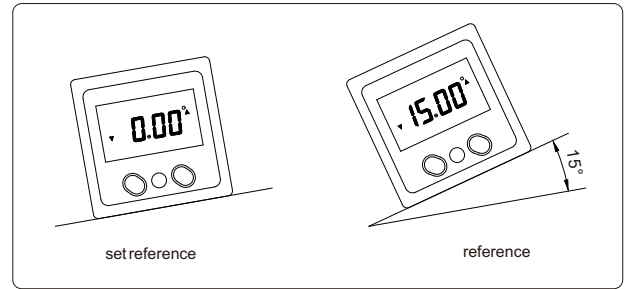
unit: mm

Magnetic base

Use as level



Use as protractor



Code	Range	Resolution
723-360-01	0 - 360° (4x90°)	0.05°

725

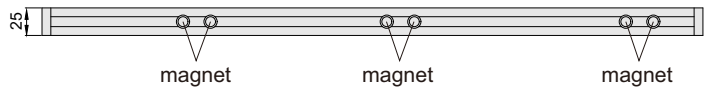
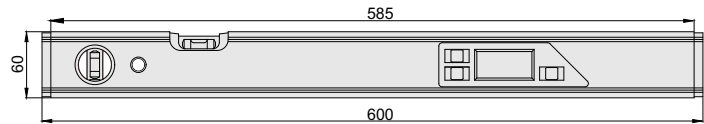
DIGITAL LEVEL



- ◆ Use as level or protractor
- ◆ Accuracy : $\pm 0.1^\circ$ (vertical and horizontal), $\pm 0.2^\circ$ (other direction)
- ◆ Buttons: on/off, ABS, hold, alarm unit, backlight
- ◆ With vertical and horizontal vials
- ◆ Absolute horizontion reference can save in memory for ever
- ◆ Magnetic base
- ◆ Adjust the display direction automatically



unit: mm

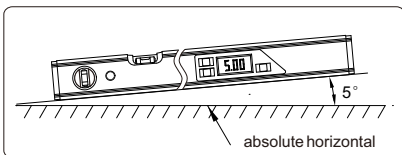


magnet

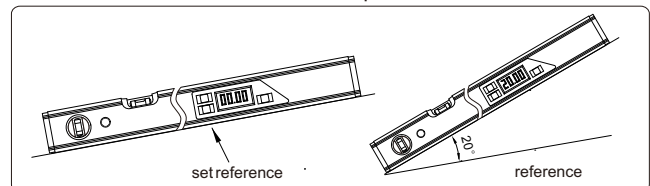
magnet

magnet

Use as level



Use as protractor



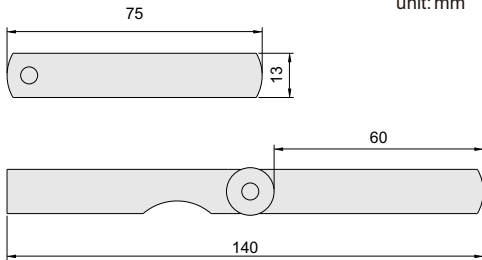
Code	Range	Resolution
725-360-01	0 - 360° (4x90°)	0.05°



911

FEELER

- ◆ Meets DIN2275
- ◆ Accuracy: $\pm(3+T/80)\mu\text{m}$, T is the thickness of leaves, unit: μm
- ◆ Made of hardened spring steel

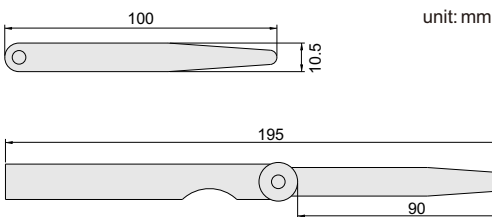


Code	Range	Quantity	Leaves thickness (mm)
911-100-25	0.04 - 1.00mm	25	0.04, 0.05, 0.06, 0.07, 0.08, 0.09, 0.10, 0.15, 0.20, 0.25, 0.30, 0.35, 0.40, 0.45, 0.50, 0.55, 0.60, 0.65, 0.70, 0.75, 0.80, 0.85, 0.90, 0.95, 1.00

SERIES 912

FEELER

- ◆ Meets DIN2275
- ◆ Accuracy: $\pm(3+T/80)\mu\text{m}$, T is the thickness of leaves, unit: μm
- ◆ Made of hardened spring steel



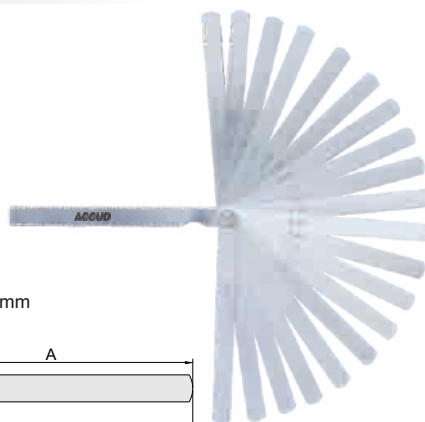
912-100-20

Code	Range	Quantity	Leaves thickness (mm)
912-050-13	0.03 - 0.50mm	13	0.03, 0.04, 0.05, 0.06, 0.07, 0.08, 0.09, 0.10, 0.15, 0.20, 0.30, 0.40, 0.50
912-100-13	0.05 - 1.00mm	13	0.05, 0.10, 0.15, 0.20, 0.25, 0.30, 0.40, 0.50, 0.60, 0.70, 0.80, 0.90, 1.00
912-100-17	0.02 - 1.00mm	17	0.02, 0.03, 0.04, 0.05, 0.06, 0.07, 0.08, 0.09, 0.10, 0.15, 0.20, 0.25, 0.30, 0.40, 0.50, 0.75, 1.00
912-100-20	0.05 - 1.00mm	20	0.05, 0.10, 0.15, 0.20, 0.25, 0.30, 0.35, 0.40, 0.45, 0.50, 0.55, 0.60, 0.65, 0.70, 0.75, 0.80, 0.85, 0.90, 0.95, 1.00
912-100-32	0.03 - 1.00mm	32	0.03, 0.04, 0.05, 0.06, 0.07, 0.08, 0.09, 0.10, 0.13, 0.15, 0.18, 0.20, 0.23, 0.25, 0.28, 0.30, 0.33, 0.35, 0.38, 0.40, 0.45, 0.50, 0.55, 0.60, 0.63, 0.65, 0.70, 0.75, 0.80, 0.85, 0.90, 1.00

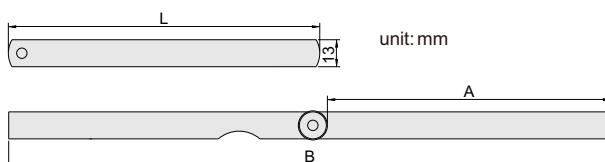
SERIES 913/914/915 FEELER

- ◆ Meets DIN2275
- ◆ Accuracy: $\pm(3+T/80)\mu\text{m}$, T is the thickness of leaves, unit: μm
- ◆ Made of hardened spring steel

913-100-20



L	A	B
150	135	295
200	185	395
300	285	590



Code	Range	Quantity	Leaves thickness (mm)	L
913-100-13	0.05 - 1.00mm	13	0.05, 0.10, 0.15, 0.20, 0.25, 0.30, 0.40, 0.50, 0.60, 0.70, 0.80, 0.90, 1.00	150
914-100-13	0.05 - 1.00mm	13		200
915-100-13	0.05 - 1.00mm	13		300
913-100-17	0.02 - 1.00mm	17	0.02, 0.03, 0.04, 0.05, 0.06, 0.07, 0.08, 0.09, 0.10, 0.15, 0.20, 0.25, 0.30, 0.40, 0.50, 0.75, 1.00	150
914-100-17	0.02 - 1.00mm	17		200
915-100-17	0.02 - 1.00mm	17		300
913-100-20	0.05 - 1.00mm	20	0.05, 0.10, 0.15, 0.20, 0.25, 0.30, 0.35, 0.40, 0.45, 0.50, 0.55, 0.60, 0.65, 0.70, 0.75, 0.80, 0.85, 0.90, 0.95, 1.00	150
914-100-20	0.05 - 1.00mm	20		200
915-100-20	0.05 - 1.00mm	20		300

SERIES 916 FEELER TAPE

- ◆ Used to check the spacing thickness
- ◆ Made of hardened alloy steel
- ◆ Length 5m
- ◆ Width 13mm



916-010-01

Code	Thickness	Accuracy
916-001-01	0.01mm	$\pm 3\mu\text{m}$
916-002-01	0.02mm	$\pm 4\mu\text{m}$
916-003-01	0.03mm	$\pm 4\mu\text{m}$
916-004-01	0.04mm	$\pm 4\mu\text{m}$
916-005-01	0.05mm	$\pm 4\mu\text{m}$
916-006-01	0.06mm	$\pm 4\mu\text{m}$
916-007-01	0.07mm	$\pm 5\mu\text{m}$
916-008-01	0.08mm	$\pm 5\mu\text{m}$
916-009-01	0.09mm	$\pm 5\mu\text{m}$
916-010-01	0.10mm	$\pm 5\mu\text{m}$

Code	Thickness	Accuracy
916-015-01	0.15mm	$\pm 5\mu\text{m}$
916-018-01	0.18mm	$\pm 7\mu\text{m}$
916-020-01	0.20mm	$\pm 8\mu\text{m}$
916-025-01	0.25mm	$\pm 9\mu\text{m}$
916-030-01	0.30mm	$\pm 9\mu\text{m}$
916-035-01	0.35mm	$\pm 11\mu\text{m}$
916-040-01	0.40mm	$\pm 12\mu\text{m}$
916-045-01	0.45mm	$\pm 12\mu\text{m}$
916-050-01	0.50mm	$\pm 14\mu\text{m}$
916-055-01	0.55mm	$\pm 14\mu\text{m}$

Code	Thickness	Accuracy
916-060-01	0.60mm	$\pm 14\mu\text{m}$
916-065-01	0.65mm	$\pm 14\mu\text{m}$
916-070-01	0.70mm	$\pm 17\mu\text{m}$
916-075-01	0.75mm	$\pm 17\mu\text{m}$
916-080-01	0.80mm	$\pm 19\mu\text{m}$
916-085-01	0.85mm	$\pm 19\mu\text{m}$
916-090-01	0.90mm	$\pm 22\mu\text{m}$
916-095-01	0.95mm	$\pm 22\mu\text{m}$
916-100-01	1.00mm	$\pm 24\mu\text{m}$



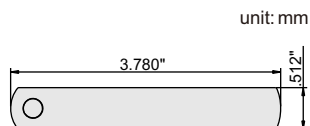
917

INCH FEELER GAUGE

- ◆ .010" is made of brass, others are made of hardened alloy steel
- ◆ Each blade is marked with inch/metric size

Code	Range	Quantity of leaves
917-035-31	.0015" ~ .035"	32

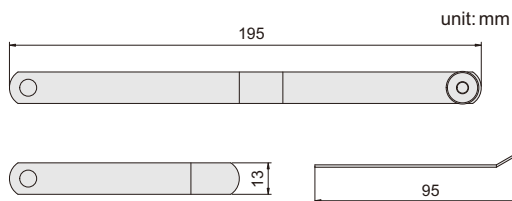
Thickness of leaves included	Accuracy
.010" (brass)	±.00039"
.0015", .002"	±.0002"
.0025"~ .007"	±.00028"
.008", .009"	±.00035"
.010", .011"	±.00039"
.012", .013"	±.00047"
.014", .015"	±.00051"
.016", .017"	±.00055"
.018", .019"	±.00059"
.020", .021"	±.00067"
.022", .023"	±.00071"
.024", .025", .026"	±.00075"
.028"	±.00091"
.030"	±.00094"
.032", .035"	±.00102"



919

OFFSET DUAL SCALE FEELER GAUGE

- ◆ Bend end
- ◆ Blade: length 4"
- ◆ Each blade is marked with imperial/metric size
- ◆ Made of hardened spring steel

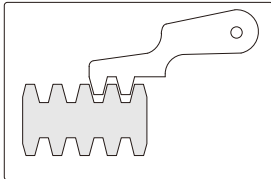


Code	Range	Quantity	Leaves thickness
919-030-26	0.005-0.020"	26	.005(.127mm), .006(.152mm), .007(.178mm), .008(.203mm), .009(.229mm), .010(.254mm), .011(.279mm), .012(.305mm), .013(.330mm), .014(.356mm), .015(.381mm), .016(.406mm), .017(.432mm), .018(.457mm), .019(.483mm), .020(.508mm), .021(.533mm), .022(.559mm), .023(.584mm), .024(.610mm), .025(.635mm), .026(.660mm), .027(.686mm), .028(.711mm), .029(.737mm), .030(.762mm)

SERIES 921

PITCH GAUGE

- ◆ Measure the pitch of thread
- ◆ Accuracy: ±0.07mm
- ◆ Made of medium carbon steel



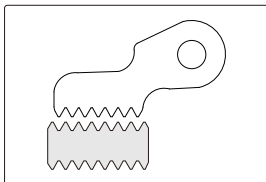
921-012-16

Code	Range	Thread	Quantity	Leaves pitch(mm)
921-020-12	2 - 20mm	Tr30°	12	2, 3, 4, 5, 6, 7, 8, 9, 10, 12, 16, 20mm
921-012-16	1 - 12TPI	ACME29°	16	1, 1-1/3, 1-1/2, 1-3/4, 2, 2-1/2, 3, 3-1/2, 4, 5, 6, 7, 8, 9, 10, 12TPI

SERIES 922/923/924/925

PITCH GAUGE

- ◆ Measure the pitch of thread
- ◆ Accuracy: ±0.07mm
- ◆ Made of medium carbon steel



922-007-22

METRIC 60° SCREW

Code	Range	Quantity	Leaves pitch
922-007-22	0.4 - 7.0mm	22	0.4, 0.5, 0.6, 0.7, 0.75, 0.8, 0.9, 1, 1.25, 1.5, 1.75, 2, 2.5, 3, 3.5, 4, 4.5, 5, 5.5, 6, 6.5, 7mm
922-007-24	0.25 - 7.0mm	24	0.25, 0.3, 0.35, 0.4, 0.5, 0.7, 0.75, 0.8, 0.9, 1, 1.25, 1.5, 1.75, 2, 2.5, 3, 3.5, 4, 4.5, 5, 5.5, 6, 6.5, 7mm
922-006-24	0.25 - 6.0mm	24	0.25, 0.3, 0.35, 0.4, 0.45, 0.5, 0.6, 0.7, 0.75, 0.8, 0.9, 1, 1.25, 1.5, 1.75, 2, 2.5, 3, 3.5, 4, 4.5, 5, 5.5, 6mm
922-025-28	0.25 - 2.5mm	28	0.25, 0.3, 0.35, 0.4, 0.45, 0.5, 0.55, 0.6, 0.65, 0.7, 0.75, 0.8, 0.85, 0.9, 1.0, 1.1, 1.2, 1.25, 1.3, 1.4, 1.5, 1.6, 1.7, 1.75, 1.8, 1.9, 2.0, 2.5mm

UNIFIED 60° SCREW

Code	Range	Quantity	Leaves pitch
923-042-30	4 - 42TPI	30	4, 4-1/2, 5, 5-1/2, 6, 7, 8, 9, 10, 11, 11-1/2, 12, 13, 14, 15, 16, 18, 20, 22, 24, 26, 27, 28, 30, 32, 34, 36, 38, 40, 42TPI

WHITWORTH 55° SCREW

Code	Range	Quantity	Leaves pitch
924-042-30	4 - 42TPI	30	4, 4-1/2, 5, 5-1/2, 6, 7, 8, 9, 10, 11, 12, 13, 14, 15, 16, 18, 19, 20, 22, 24, 26, 27, 28, 30, 32, 34, 36, 38, 40, 42TPI
924-062-28	4 - 62TPI	28	4, 4-1/2, 5, 6, 7, 8, 9, 10, 11, 12, 13, 14, 16, 18, 19, 20, 22, 24, 25, 26, 28, 30, 32, 36, 40, 48, 60, 62TPI

METRIC 60° AND WHITWORTH 55° SCREW

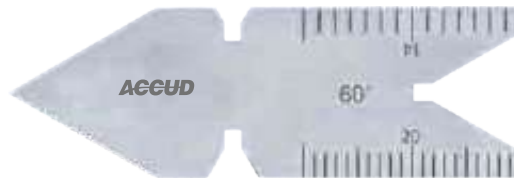
Code	Range	Quantity	Leaves pitch
925-062-52	0.25 - 6.0mm and 4 - 62TPI	52	pitch of 922-006-24 and 924-062-28



SERIES 926

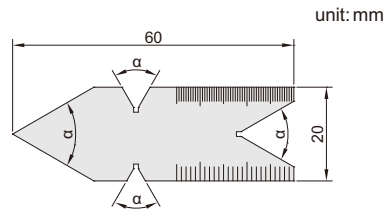
CENTER GAUGE

- ◆ Check the screw angle and pitch
- ◆ Accuracy: $\pm 30'$
- ◆ Made of stainless steel

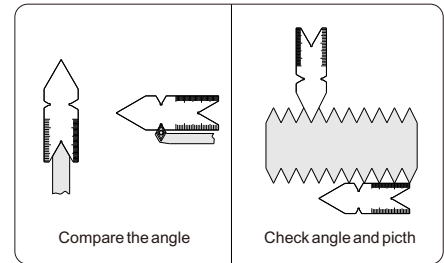


926-060-02

Package



Code	Screw type	Angle(α)	Graduation
926-060-01	metric 60°	60°	0.5mm and 1mm
926-060-02	unified 60°	60°	front side: 1/14" and 1/20", reverse side: 1/24" and 1/32"
926-055-01	whitworth 55°	55°	front side: 1/14" and 1/20", reverse side: 1/24" and 1/32"



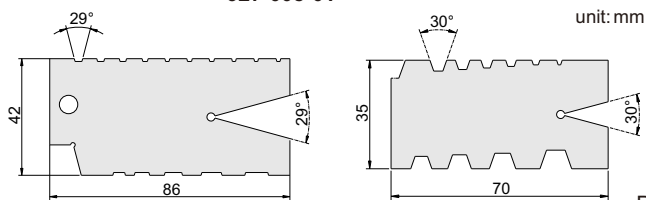
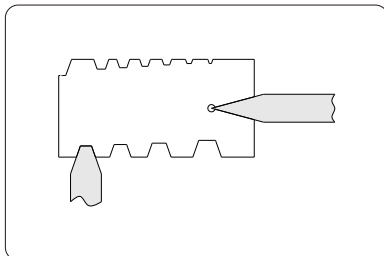
SERIES 927

THREAD GAUGE

- ◆ To check and set screw cutting tools
- ◆ Angle accuracy: $\pm 10\text{min}$.
- ◆ Made of medium carbon steel



927-008-01



927-008-01

927-012-01

Package

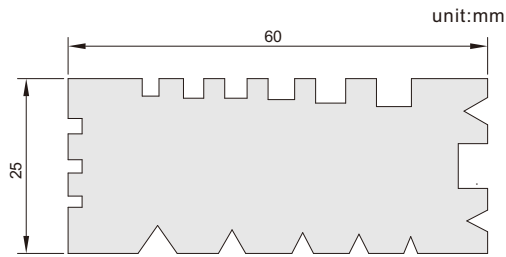
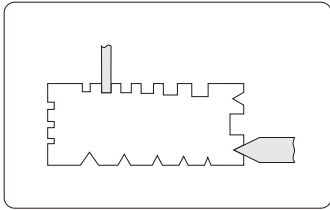


Code	Range	Thread type	Pitch
927-008-01	1 - 10TPI	ACME 29°	1, 1-1/3, 1-1/2, 1-3/4, 2, 2-1/2, 3, 4, 5, 6, 7, 8, 9, 10TPI
927-012-01	2 - 12mm	Tr 30°	2, 3, 4, 5, 6, 7, 8, 9, 10, 12mm

933

ANGLE GAUGE

- ◆ To check and set screw cutting tools
- ◆ Angle accuracy: $\pm 10\text{min}$.
- ◆ Made of medium carbon steel



Package



Code	Pitch	Angle(α)
933-008-11	2, 2.5, 3, 3.5, 4, 4.5, 5, 6, 7, 8TPI	45°, 53.8°, 55°, 60°, 70°

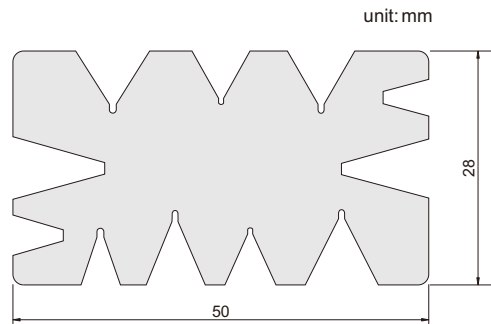
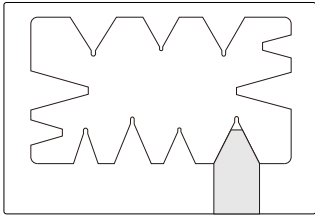
930

ANGLE GAUGE

- ◆ Made of stainless steel



Check the angle of screw cutting tools



Code	Range	Accuracy
930-001-01	29°, 30°, 40°, 45°, 50°, 55°, 60°, 65°	$\pm 10'$



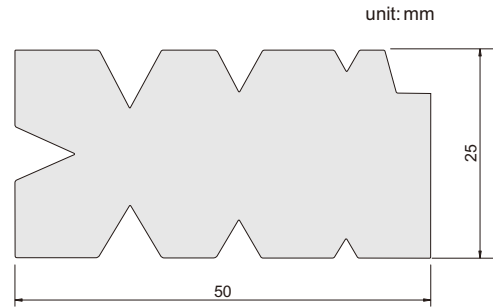
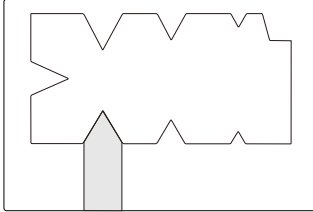
934

ANGLE GAUGE

- ◆ Made of stainless steel



Check the angle of screw cutting tools

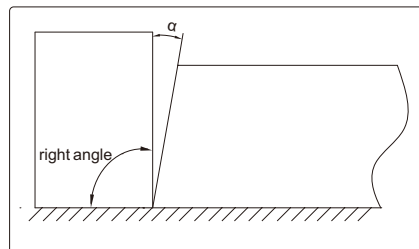


Code	Range	Accuracy
934-001-11	55°, 60°, 47 1/2° BA, 14 1/2° ACME	±10'

931

ANGLE GAUGE

- ◆ Check the coangle
- ◆ Accuracy: ±30'



Code	Range	Quantity	Leaves angle(α)
931-045-20	1°-45°	20	1°, 2°, 3°, 4°, 5°, 6°, 7°, 8°, 9°, 10°, 12°, 14°, 16°, 18°, 20°, 25°, 30°, 35°, 40°, 45°

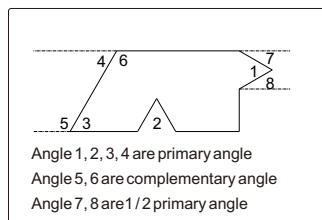
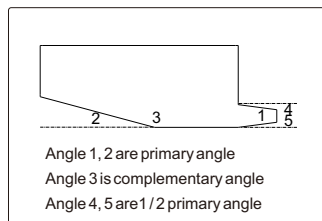
932

ANGLE GAUGE SET

- ◆ Each blade checks primary, 1/2 primary and complementary angles

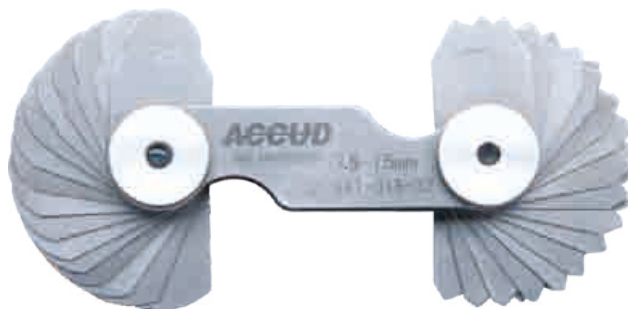
Code	Quantity of leaves	Accuracy
932-018-01	18	±10'

Primary angle	1/2 primary angle	Complementary angle
5°	2°30'	175°
10°	5°	170°
15°	7°30'	165°
20°	10°	160°
25°	12°30'	155°
30°	15°	150°
35°	17°30'	145°
40°	20°	140°
45°	22°30'	135°
50°	25°	130°
55°	27°30'	125°
60°	30°	120°
65°	32°30'	115°
70°	35°	110°
75°	37°30'	105°
80°	40°	100°
85°	42°30'	95°
90°	45°	90°



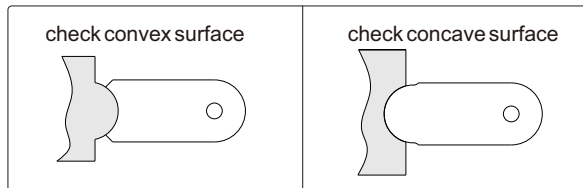
SERIES 941

RADIUS GAUGE



941-015-32

- ◆ Check the radius
- ◆ With concave and convex surface in each size



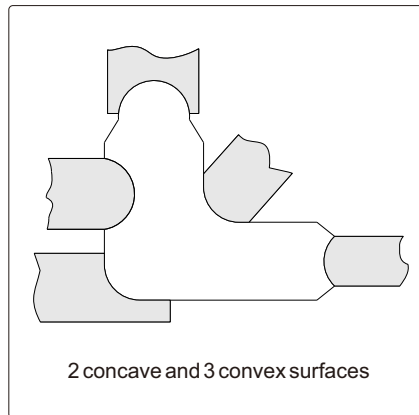
Code	Range	Quantity	Accuracy	Leaves radius (mm)
941-007-34	1-7mm	17x2	±0.03mm	1, 1.25, 1.5, 1.75, 2, 2.25, 2.5, 2.75, 3, 3.5, 4, 4.5, 5, 5.5, 6, 6.5, 7
941-015-32	7.5-15mm	16x2	±0.035mm	7.5, 8, 8.5, 9, 9.5, 10, 10.5, 11, 11.5, 12, 12.5, 13, 13.5, 14, 14.5, 15
941-025-30	15.5-25mm	15x2	±0.042mm	15.5, 16, 16.5, 17, 17.5, 18, 18.5, 19, 19.5, 20, 21, 22, 23, 24, 25



942

RADIUS GAUGE

- ◆ Each piece has 2 concave and 3 convex surfaces
- ◆ With handle
- ◆ Accuracy: $\pm 0.05\text{mm}$



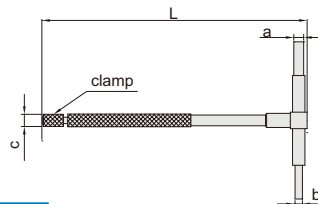
Code	Range	Quantity	Included radius(mm)
942-013-26	0.5-13mm	26	0.5, 1, 1.5, 2, 2.5, 3, 3.5, 4, 4.5, 5, 5.5, 6, 6.5, 7, 7.5, 8, 8.5, 9, 9.5, 10, 10.5, 11, 11.5, 12, 12.5, 13

951

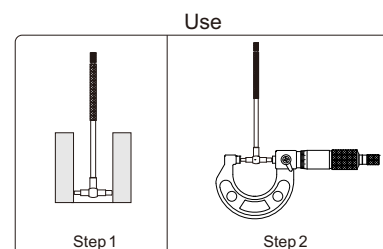
TELESCOPING GAUGE SET



- ◆ 6 gauges per set
- ◆ For quick measurement of inside diameter of holes and width of slots
- ◆ Satin chrome finish



Code	Each gauge range	L	a	b	c
951-006-01	8-12.7mm	115mm	Ø3.9mm	Ø2.9mm	Ø6.2mm
	12.7-19mm	115mm	Ø5.3mm	Ø3.8mm	Ø6.2mm
	19-32mm	115mm	Ø5.3mm	Ø3.8mm	Ø6.2mm
	32-54mm	137mm	Ø7.6mm	Ø6.1mm	Ø7.2mm
	54-90mm	137mm	Ø7.6mm	Ø6.1mm	Ø7.2mm
	90-150mm	137mm	Ø7.6mm	Ø6.1mm	Ø7.2mm



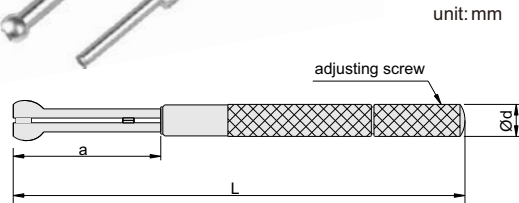
952

SMALL HOLE GAUGE SET

- ◆ 4 gauges per set
- ◆ For small holes, slots and grooves, etc.
- ◆ Satin chrome finish

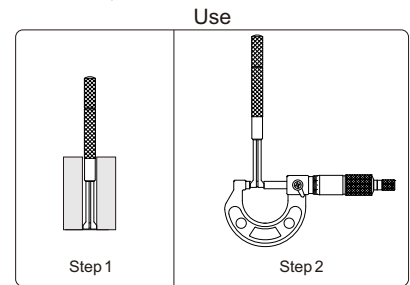


Ball type



unit: mm

Code	Range	L	a	Ød
952-004-01	3-5mm	77	24	6
	5-7.5mm	77	25	6
	7.5-10mm	87	28.5	7
	10-13mm	92	32	7



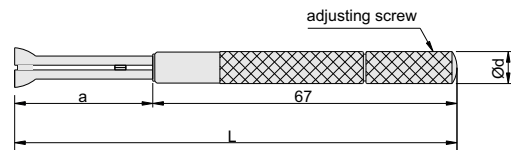
952

SMALL HOLE GAUGE SET

- ◆ 4 gauges per set
- ◆ For small holes, slots and grooves, etc.
- ◆ Satin chrome finish

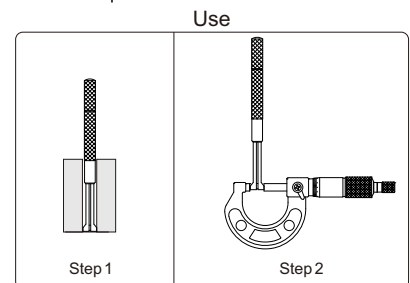


Flat type



unit: mm

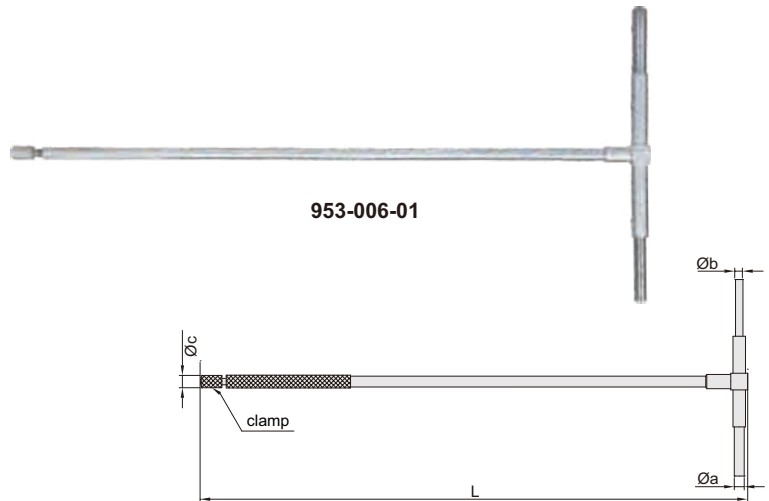
Code	Range	L	a	Ød
952-004-02	3-5mm	91	24	6
	5-7.5mm	98	31	6
	7.5-10mm	108	41	7
	10-13mm	109	42	7



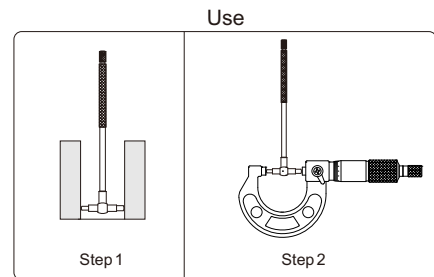
SERIES 953

LONG HANDLE TELESCOPING GAUGE

- ◆ For quick measuring inside diameter of deep holes and width of slots
- ◆ Satin chrome finish



Code	Range	L	Øa	Øb	Øc
953-001-01	8-12.7mm	250mm	3.9mm	2.9mm	6.2mm
953-002-01	12.7-19mm	250mm	5.3mm	3.8mm	6.2mm
953-003-01	19-32mm	250mm	5.3mm	3.8mm	6.2mm
953-004-01	32-54mm	300mm	7.6mm	6.1mm	7.2mm
953-005-01	54-90mm	300mm	7.6mm	6.1mm	7.2mm
953-006-01	90-150mm	300mm	7.6mm	6.1mm	7.2mm

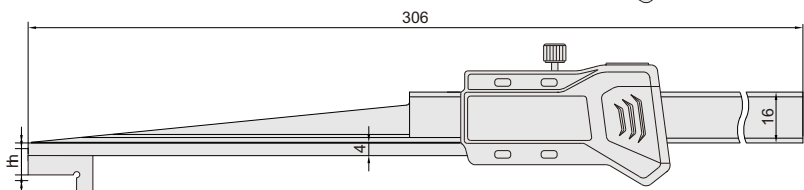
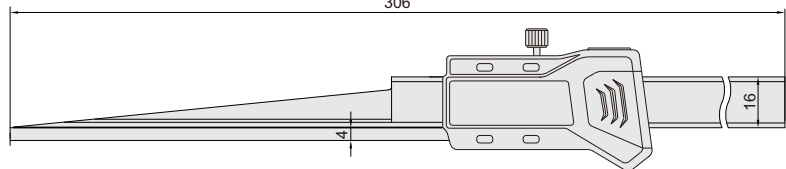


SERIES 963

DIGITAL TAPER GAUGE



963-010-11 unit: mm

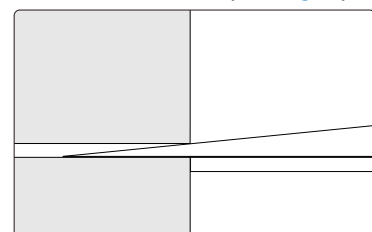


963-020-11, 963-030-11 and 963-040-11

- ◆ Measuring opening, slot width
- ◆ Resolution: 0.01mm/0.0005"
- ◆ Buttons: on/off, zero, mm/in, INC
- ◆ Data output (cable code: 100-03 or 100-04)
- ◆ Automatic power on/off
- ◆ Made of stainless steel

Code	Range	Accuracy	h
963-010-11	0.2-10mm/0.01-0.39"	±0.03mm	-
963-020-11	10-20mm/0.39-0.79"	±0.05mm	10
963-030-11	20-30mm/0.79-1.18"	±0.05mm	20
963-040-11	30-40mm/1.18-1.58"	±0.05mm	30

Measure slot width (reading/10)



MEASURING TOOL
SIMPLE

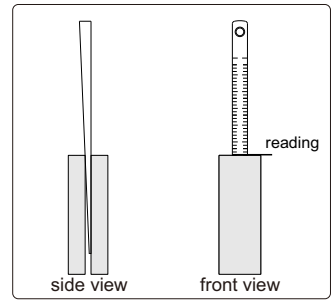
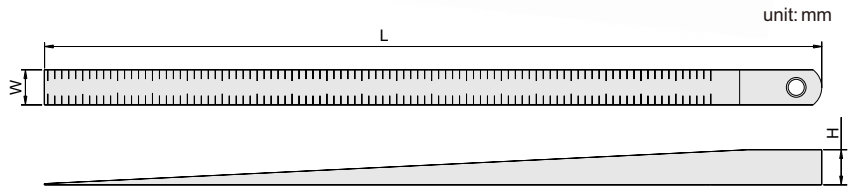
SERIES 961

TAPER GAUGE

- ◆ Measure the gap width
- ◆ Stain chrome plated reading surface
- ◆ Made of the stainless steel



961-010-05



Code	Range	Graduation	Accuracy	L	W	H
961-004-05	0.2 - 4mm	0.05mm	±0.05mm	120	12	4.3
961-006-05	0.4 - 6mm	0.05mm	±0.05mm	166	11.5	6.5
961-010-05	0.5 - 10mm	0.05mm	±0.05mm	225	12.5	10.5
961-015-05	0.5 - 15mm	0.1mm	±0.05mm	184	11	16

SERIES 962

TAPER GAUGE

- ◆ Measure the groove width and hole size
- ◆ Made of the stainless steel

Package

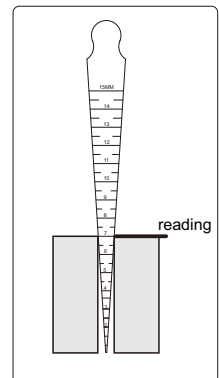
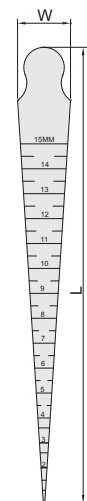


962-015-05

front side

reverse side

unit: mm



Code	Range	Graduation	Accuracy	L	W
962-015-05	0.8-15mm	0.1mm	±0.1mm	146	17
962-030-05	15-30mm	0.1mm	±0.1mm	159	30.4
962-045-05	30-45mm	0.1mm	±0.1mm	166	45.4
962-060-05	45-60mm	0.1mm	±0.1mm	170	60.5



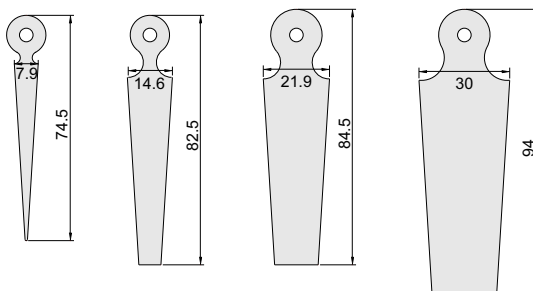
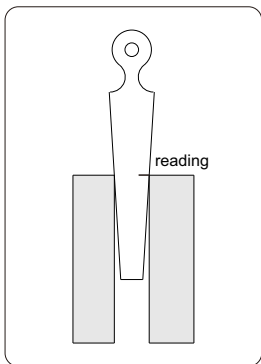
962

TAPER GAUGE SET

- ◆ Include 4 pcs (1-7.5mm, 7.5-14.5mm, 14.5-21.5mm, 21.5-29mm)
- ◆ Measure opening slot width
- ◆ Made of stainless steel



unit: mm



Code	Range	Graduation	Accuracy
962-029-41	1-29mm	0.1mm	±0.05mm

962

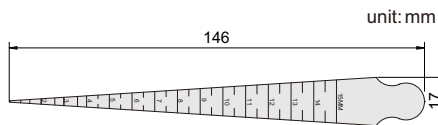
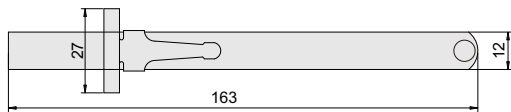
TAPER GAUGE SET



front side



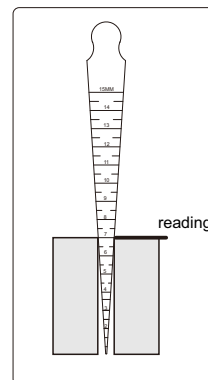
reverse side



unit: mm

- ◆ Made of stainless steel

Code	Tool	Range	Graduation	Accuracy
962-909-02	taper gage	0.8-15mm	0.1mm	±0.1mm
	steel ruler	150mm/6"	1mm/1/64"	±0.15mm

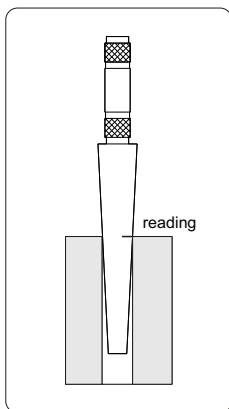


MEASURING TOOL
SIMPLE

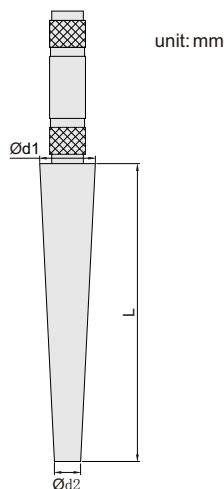
SERIES 964

TAPER BORE GAUGE

- ◆ Quick measuring diameter of the bore
- ◆ Graduation: 0.1 mm
- ◆ Hardened steel, HRC50-58
- ◆ Satin chrome plated surface
- ◆ Aluminium oxidized handle



964-015-11

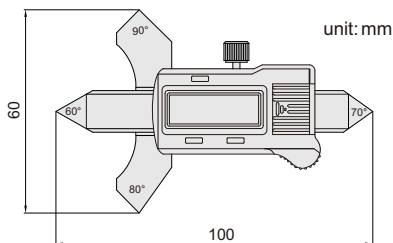
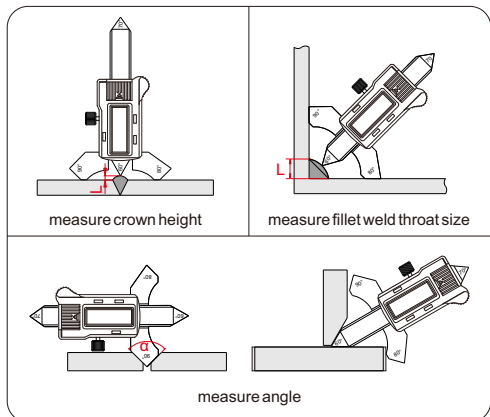


Code	Range	Accuracy	L	Ød1	Ød2
964-006-11	1-6.5mm	±0.05mm	62.5	7	0.8
964-015-11	3-15mm	±0.05mm	143	17	2.8
964-030-11	15-30mm	±0.05mm	165	31	14.7
964-045-11	30-45mm	±0.05mm	165	46	29.6
964-060-11	45-60mm	±0.05mm	167	61	44

970

DIGITAL WELDING GAUGE

- ◆ Buttons: zero, mm/inch, on/off
- ◆ Made of stainless steel



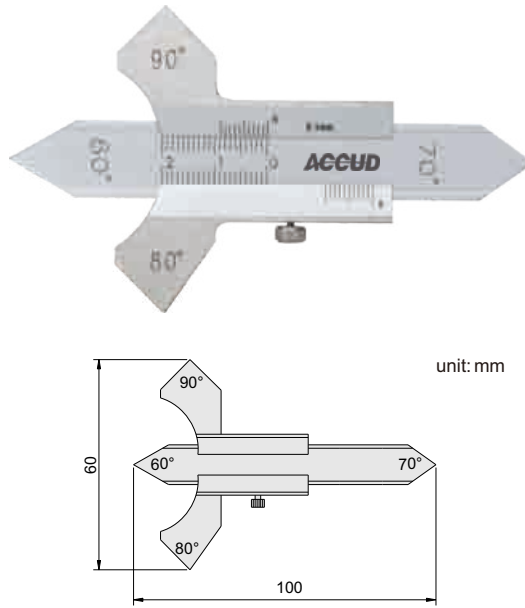
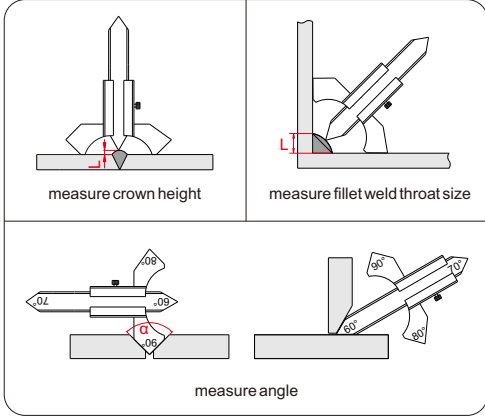
Code	Range	Accuracy	Resolution	Application
970-010-11	0 - 10mm	±0.03mm	0.01mm/0.0005"	measure crown height
	0 - 20mm	±0.1mm	0.01mm/0.0005"	measure fillet weld throat size
	60°, 70°, 80°, 90°	±1°	—	measure angle



971

WELDING GAUGE

- ◆ Made of stainless steel
- ◆ Stain chrome plated reading surface



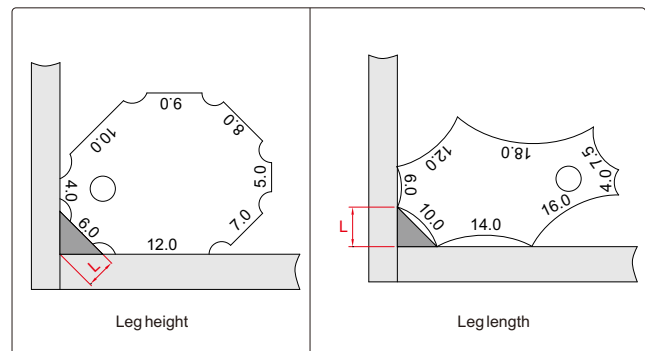
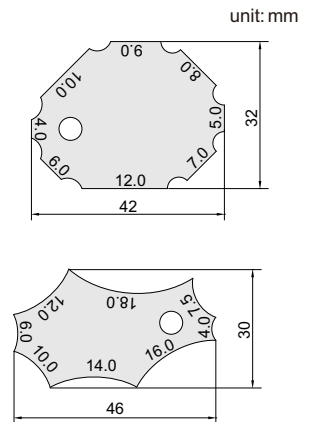
Code	Range	Graduation	Accuracy	Application
971-008-01	0 - 8mm	0.1mm	±0.1mm	measure crown height
	0 - 20mm	0.1mm	±0.3mm	measure fillet weld throat size
	60°, 70°, 80°, 90°	—	±1°	measure angle

972

WELDING GAUGE

- ◆ Double printing in front and reverse side
- ◆ Made of the stainless steel

Package



Code	Leg height	Leg length	Accuracy
972-012-01	4, 5, 6, 7, 8, 9, 10, 12mm	4, 6, 7.5, 10, 12, 14, 16, 18mm	±0.5mm

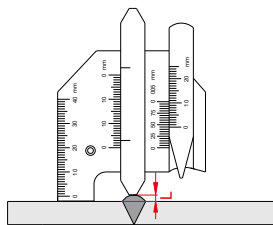
◆ Made of stainless steel



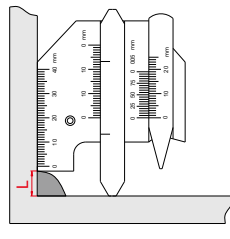
front side



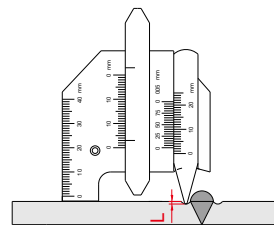
reverse side



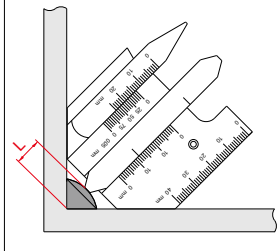
measure crown height



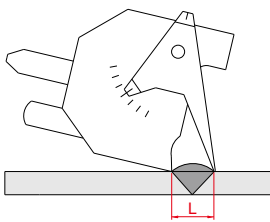
measure leg height



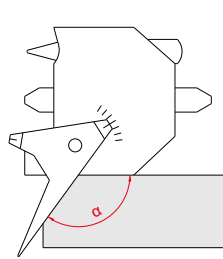
measure undercut depth



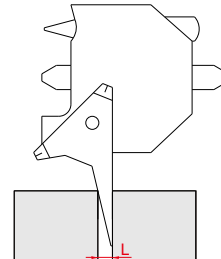
measure throat size



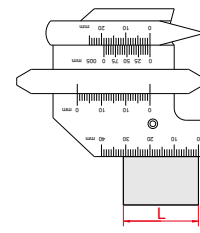
measure weld length



measure angle



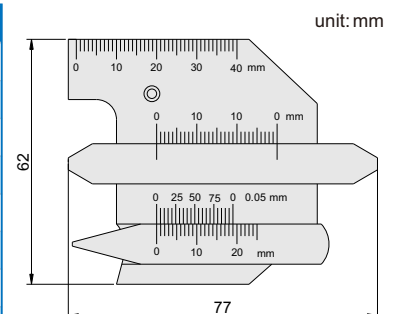
measure gap



measure length

SIMPLE
MEASURING TOOL

Code	Application	Range	Graduation	Accuracy
973-014-01	measure crown height	0 - 10mm	1mm	±0.5mm
	measure leg height	0 - 14mm	1mm	±0.5mm
	measure undercut depth	0 - 5mm	0.05mm	±0.05mm
	measure throat size	0 - 13mm	1mm	±0.5mm
	measure weld length	0 - 40mm	1mm	±1mm
	measure angle	90° - 150°	5°	±1°
	measure gap	0.5 - 5mm	1mm	±0.5mm
	measure length	0 - 40mm	1mm	±0.5mm

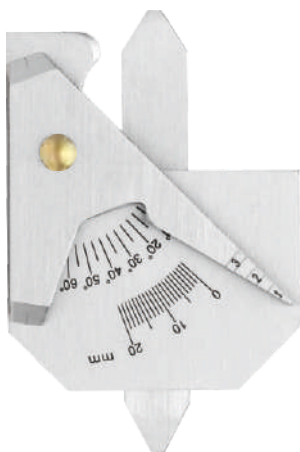




974

WELDING GAUGE

- ◆ Made of stainless steel
- ◆ Stain chrome plated surface

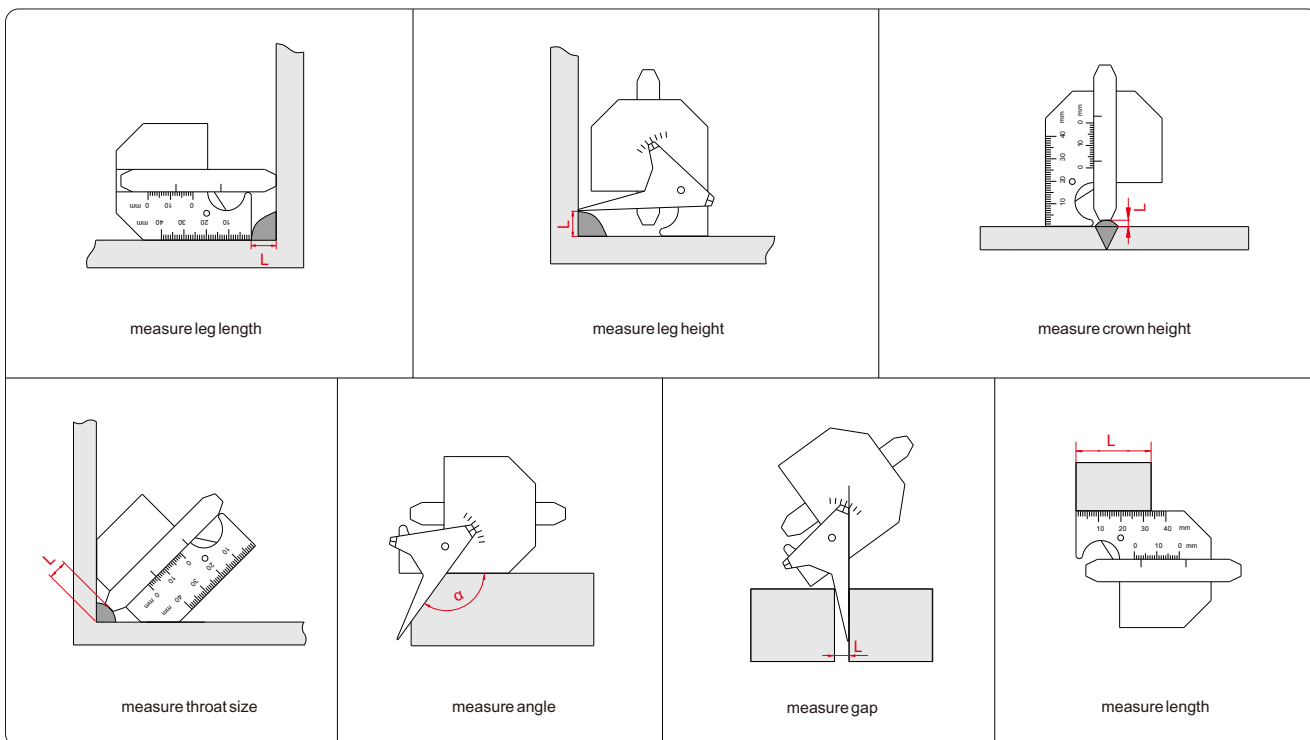


reverse side

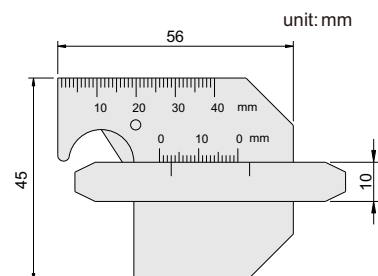


front side

MEASURING TOOL
SIMPLE



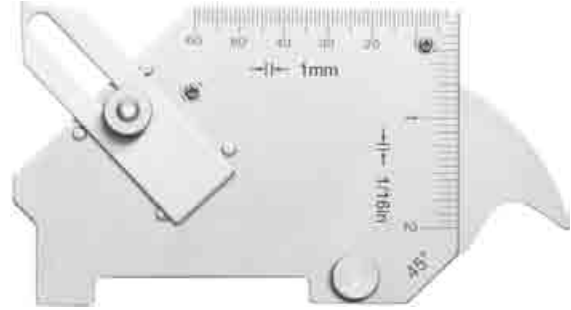
Code	Application	Range	Graduation	Accuracy
974-013-01	measure leg length	0 - 10mm	0.1mm	±0.1mm
	measure leg height	0 - 20mm	1mm	±0.5mm
	measure crown height	0 - 10mm	0.1mm	±0.1mm
	measure throat size	0 - 10mm	0.1mm	±0.1mm
	measure angle	0° - 60°	5°	±1°
	measure gap	1 - 3.5mm	0.5mm	±0.5mm
	measure length	0 - 40mm	1mm	±0.5mm



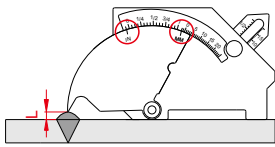
- ◆ Adjustable scale to compensate pointer wear
- ◆ Made of stainless steel



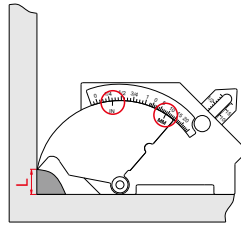
front side



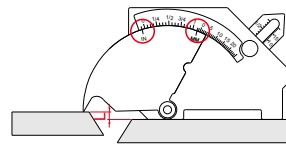
reverse side



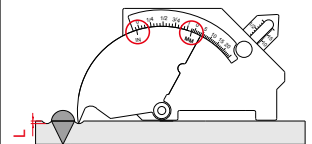
measure crown height



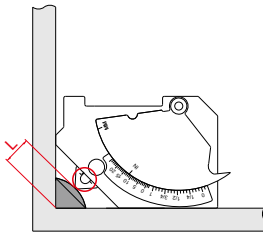
measure fillet weld leg height



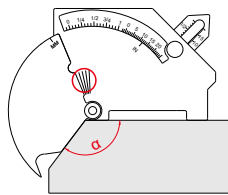
measure misalignment



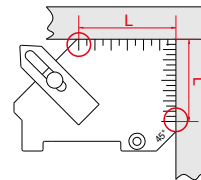
measure undercut depth



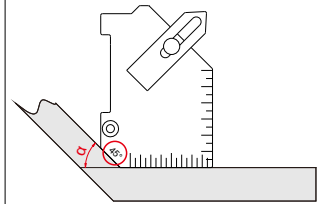
measure fillet weld throat size



measure angle of preparation



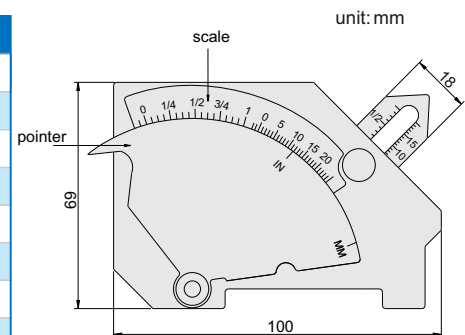
measure length



measure 45° angle

SIMPLE MEASURING TOOL

Code	Application	Range	Graduation	Accuracy
975-025-01	measure crown height	0 - 25mm (0 - 1")	1mm (1/16")	±0.5mm
	measure fillet weld leg height	0 - 25mm (0 - 1")	1mm (1/16")	±0.5mm
	measure misalignment	0 - 25mm (0 - 1")	1mm (1/16")	±0.5mm
	measure undercut depth	0 - 2mm (0 - 1/8")	1mm (1/16")	±0.5mm
	measure fillet weld throat size	0 - 20mm (0 - 3/4")	1mm (1/16")	±0.5mm
	measure angle of preparation	0 - 60°	5°	±1°
	measure length	0 - 60mm (0-2")	1mm (1/16")	±0.5mm
	measure 45° angle	—	—	±1°





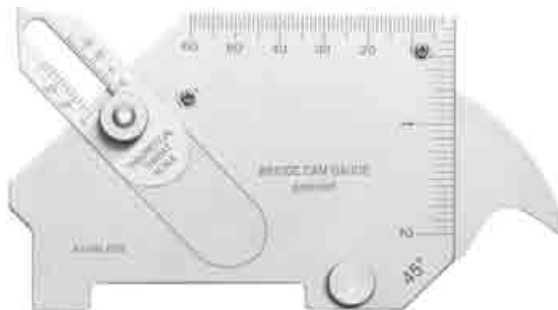
975

WELDING GAUGE

- ◆ Adjustable scale to compensate pointer wear
- ◆ Made of stainless steel



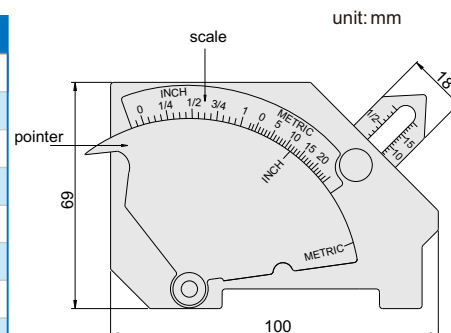
front side



reverse side

measure crown height	measure fillet weld leg height	measure misalignment	measure undercut depth
measure fillet weld throat size	measure angle of preparation	measure length	measure 45° angle

Code	Application	Range	Graduation	Accuracy
975-025-02	measure crown height	0 - 25mm (0 - 1")	1mm (1/16")	±0.5mm
	measure fillet weld leg height	0 - 25mm (0 - 1")	1mm (1/16")	±0.5mm
	measure misalignment	0 - 25mm (0 - 1")	1mm (1/16")	±0.5mm
	measure undercut depth	0 - 2mm (0 - 1/8")	1mm (1/16")	±0.5mm
	measure fillet weld throat size	0 - 20mm (0 - 3/4")	1mm (1/16")	±0.5mm
	measure angle of preparation	0 - 60°	5°	±1°
	measure length	0 - 60mm (0-2")	1mm (1/16")	±0.5mm
	measure 45° angle	—	—	±1°



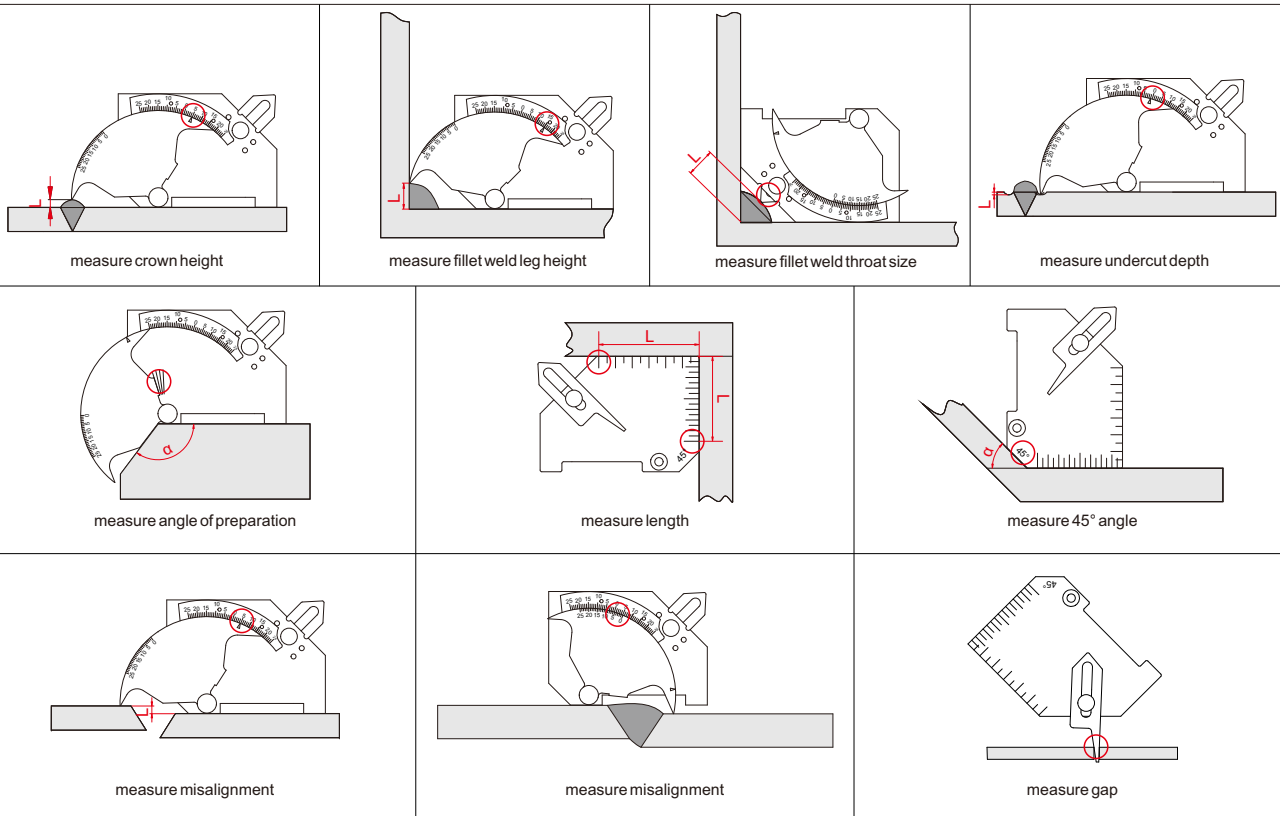
- ◆ Adjustable scale to compensate pointer wear
- ◆ Made of stainless steel



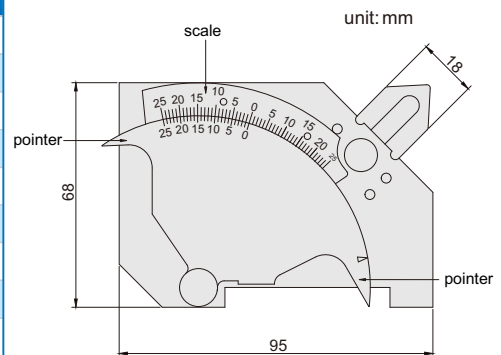
front side



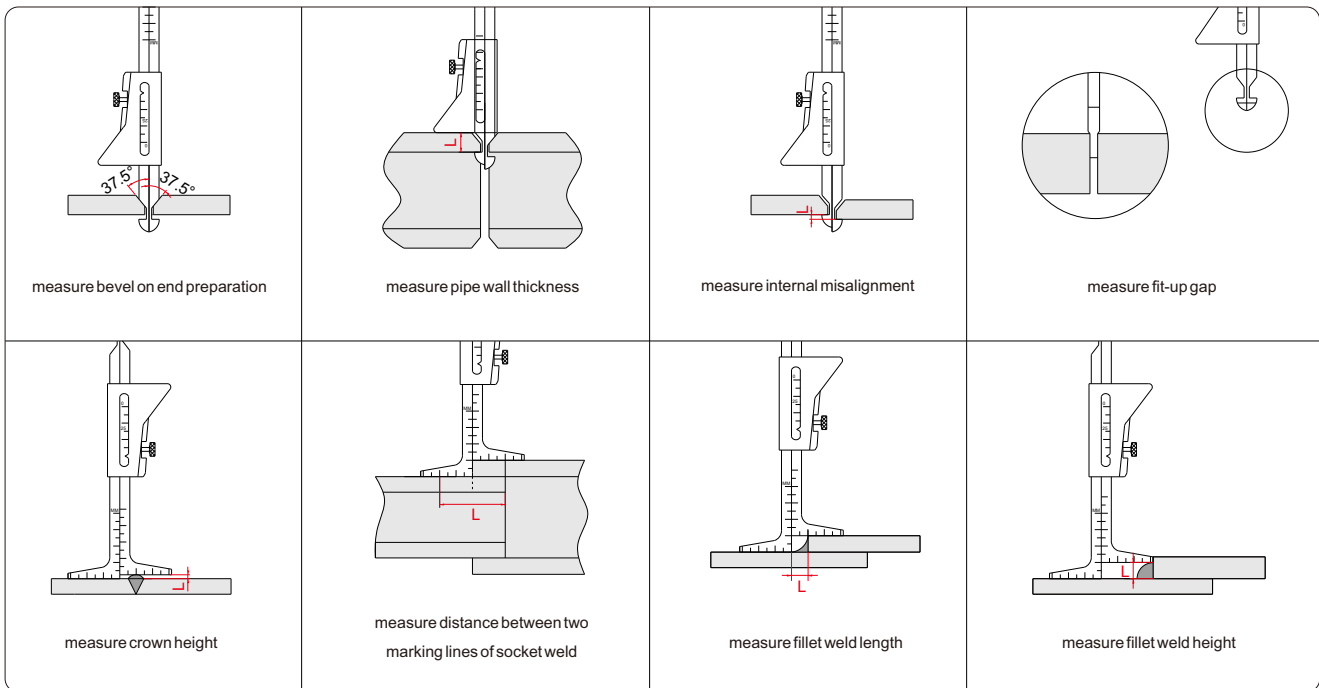
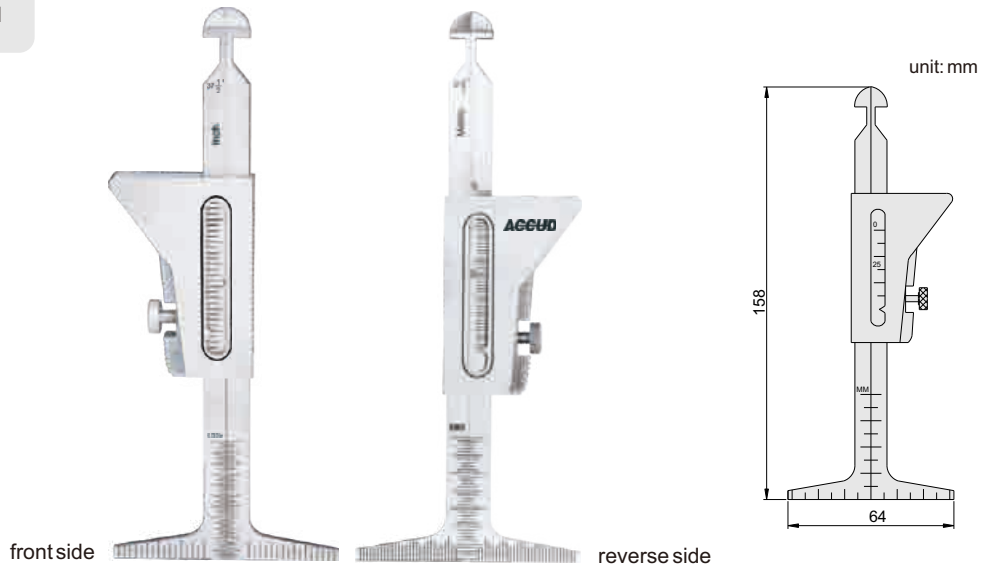
reverse side



Code	Application	Range	Graduation	Accuracy
975-025-21	measure crown height	0 - 25mm	1mm	±0.5mm
	measure fillet weld leg height	0 - 25mm	1mm	±0.5mm
	measure fillet weld throat size	0 - 15mm	1mm	±0.5mm
	measure undercut depth	0 - 25mm	1mm	±0.5mm
	measure angle of preparation	0 - 60°	5°	±1°
	measure length	0 - 60mm	1mm	±0.5mm
	measure 45° angle	—	—	±1°
	measure misalignment	0 - 25mm	1mm	±0.5mm
	measure gap	2-5mm	1mm	±0.5mm



◆ Made of stainless steel



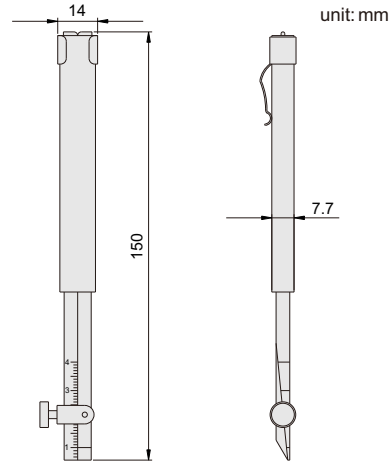
MEASURING TOOL
SIMPLE

Code	Application	Range	Graduation	Accuracy
976-045-01	measure bevel on end preparation	37.5°	—	±1°
	measure pipe wall thickness	0 - 45mm (0 - 1-3/4")	1mm (1/16")	±0.5mm
	measure internal misalignment	0 - 35mm (0 - 1-3/8")	1mm (1/32")	±0.5mm
	measure fit-up gap	1.6mm, 2.2mm	—	±0.1mm
	measure crown height	0 - 35mm (0 - 1-3/8")	1mm (1/32")	±0.5mm
	measure distance between two marking lines of socket weld	0 - 60mm (0 - 2-3/8")	1mm (1/16")	±0.5mm
	measure fillet weld length	0 - 30mm (0 - 1-1/4")	1mm (1/16")	±0.5mm
	measure fillet weld height	0 - 35mm (0 - 1-3/8")	1mm (1/32")	±0.5mm

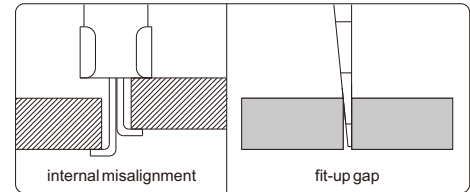
960

PIP WELDING GAUGE

- ◆ Made of stainless steel



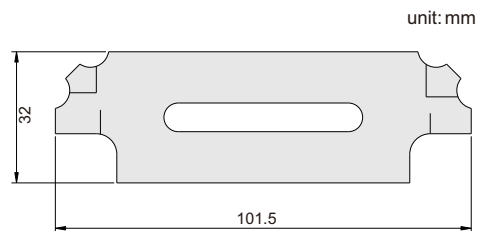
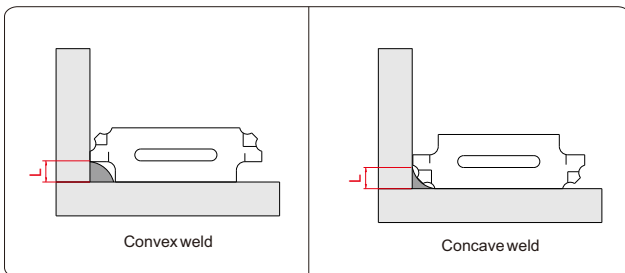
Code	Measurement	Range	Graduation	Accuracy
960-030-01	internal misalignment	0-30mm	1mm	±0.5mm
	fit-up gap	0.7-4mm	0.1mm	±0.1mm



SERIES 977

FILLET WELD GAUGE

- ◆ Measure concave and convex weld sizes
- ◆ 7 blades are included
- ◆ Each blade measures two sizes of concave and convex weld
- ◆ Made of stainless steel



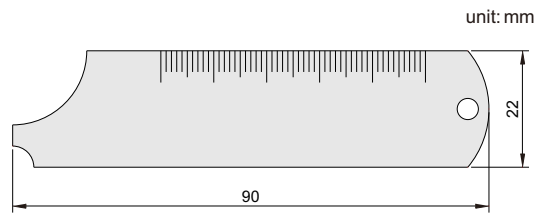
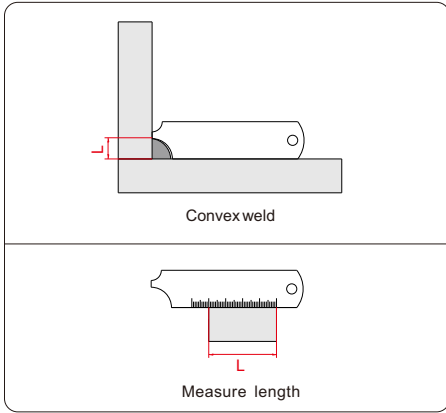
Code	Accuracy	Size
977-025-01	±0.5mm	3, 4, 5, 6, 8, 9, 10, 11, 12, 14, 16, 19, 22, 25
977-025-02	±0.02"	1/8", 3/16", 1/4", 5/16", 3/8", 7/16", 1/2", 5/8", 3/4", 7/8", 1"



745

FILLET WELDING GAUGE

- ◆ Measure convex weld sizes
- ◆ 3 blades are included
- ◆ Made of stainless steel



Code	Measurement	Range	Graduation	Accuracy
745-050-03	convex weld size	4, 6, 8, 10, 12, 14mm	—	±0.5mm
	length	0-50mm	1mm	±0.5mm

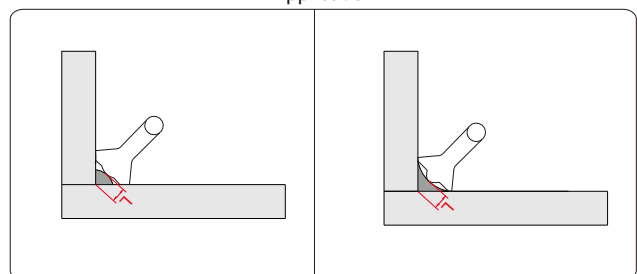
749

WELDING GAUGE

- ◆ Made of stainless steel



Application

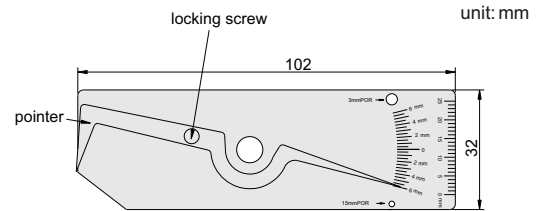
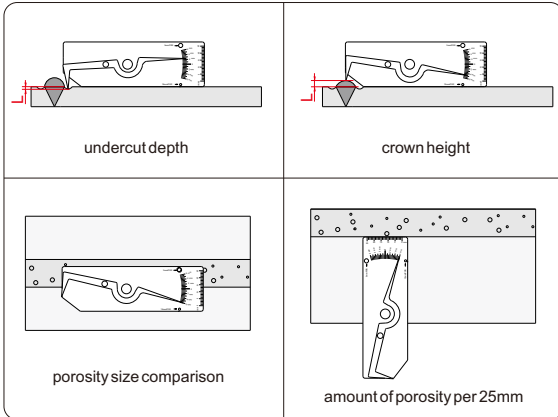


Code	Size
749-012-01	3, 3.5, 4, 4.5, 5, 5.5, 6, 6.5, 7, 8, 10, 12mm

978

WELDING GAUGE

- ◆ Pointer can be locked for later reference
- ◆ Made of stainless steel

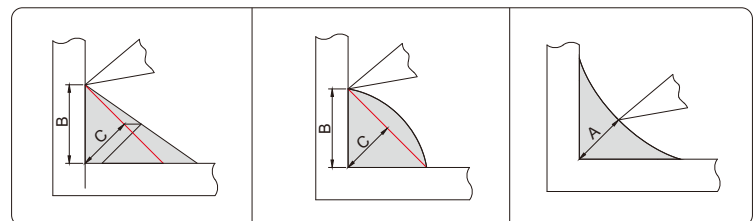
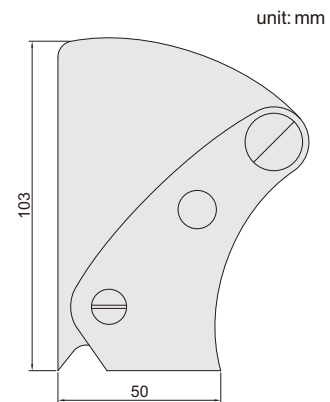
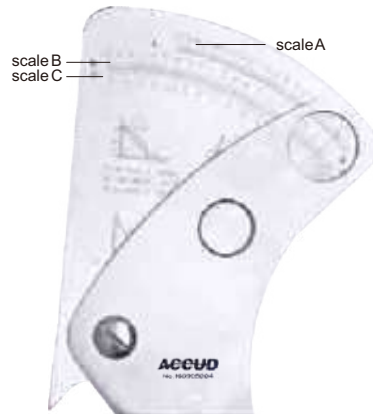


Code	Measurement	Range	Graduation	Accuracy
978-006-01	undercut depth	0 - 6mm	0.5mm	±0.5mm
	crown height	0 - 6mm	0.5mm	±0.5mm
	porosity size comparison	1.5mm, 3mm	—	±0.2mm
	amount of porosity per 25mm	25mm	1mm	—

966

WELDING GAUGE

- ◆ Made of stainless steel



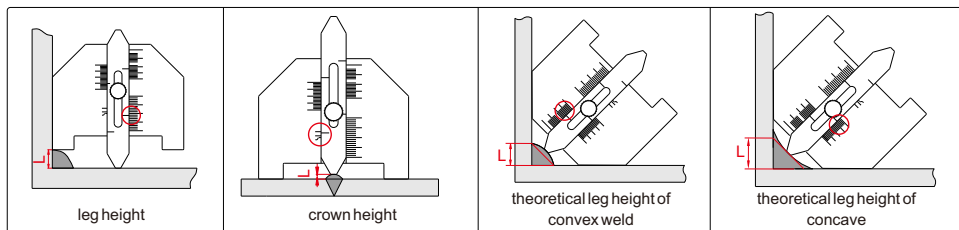
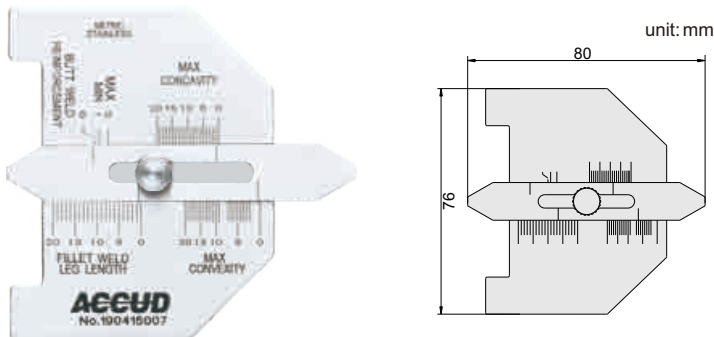
Code	Graduation	Accuracy
966-001-01	0.2mm	±0.3mm



979

WELDING GAUGE

◆ Made of stainless steel

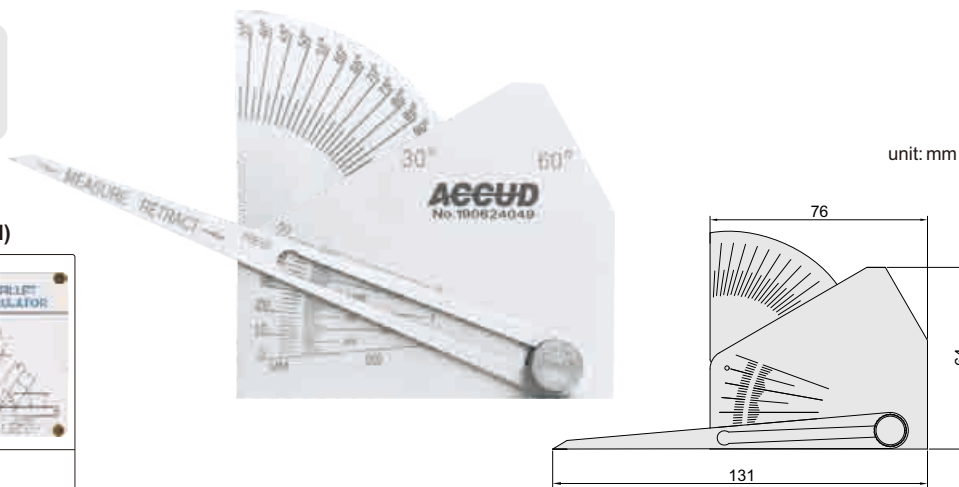


Code	Range	Graduation	Accuracy	Measurement
979-020-01	0-20mm	1mm	±0.5mm	leg height
	0-3mm	—	±0.5mm	crown height
	0-20mm	1mm	±0.5mm	theoretical leg height of convex weld
	0-20mm	1mm	±0.5mm	theoretical leg height of concave

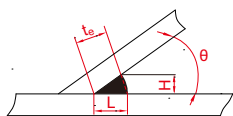
969

FILLET WELDING GAUGE

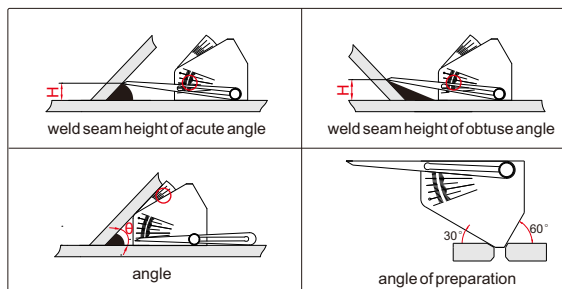
◆ Calculating card is included
◆ Made of stainless steel



Calculating card (included)



measure weld seam height H and angle θ , calculate theoretical throat size t and leg height L according to H and θ .

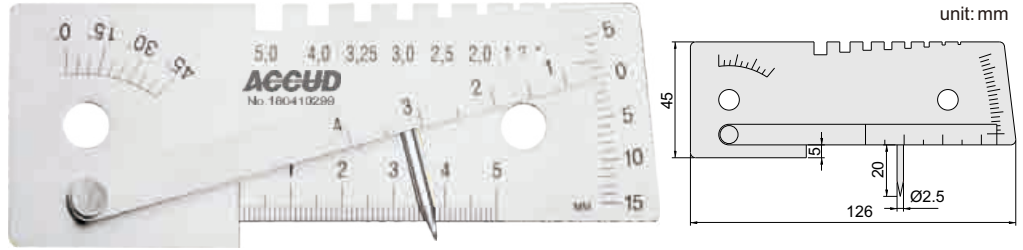


Code	Measurement	Range	Graduation	Accuracy
969-050-01	weld seam height H	0 - 50mm / 0-2"	2mm/.050"	±1mm
	angle θ	30° - 90°	2.5°	±1°
	90° angle	—	—	±0.5°

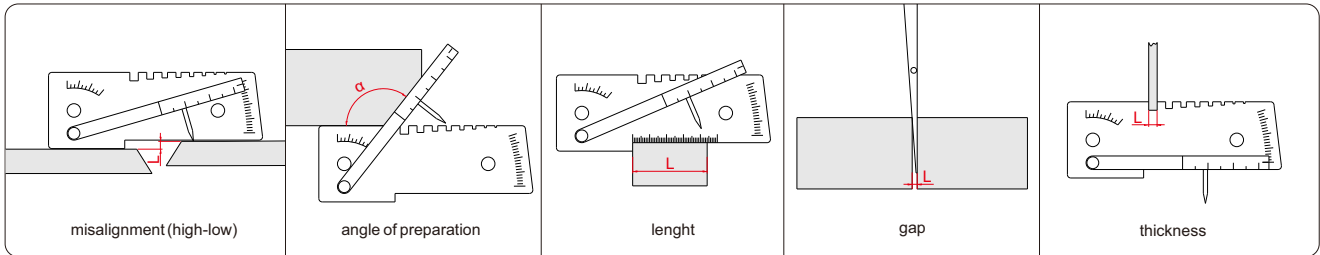
746

WELDING GAUGE

◆ Made of stainless steel



unit: mm

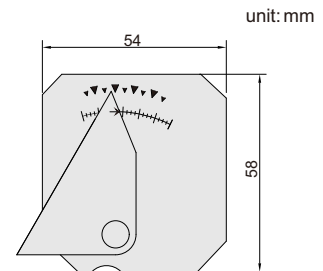
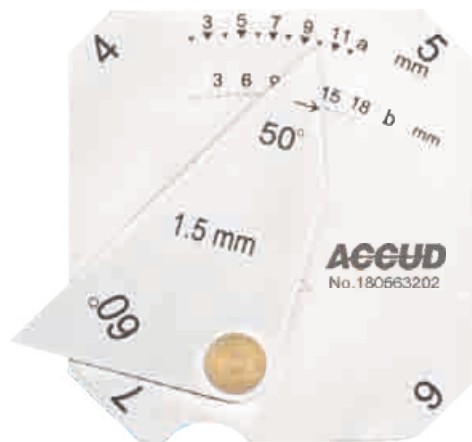


Code	Measurement	Range	Graduation	Accuracy
746-050-01	misalignment (high-low)	-5mm-15mm	1mm	±0.5mm
	angle of preparation	0°-45°	5°	±2.5°
	length	0-50mm	1mm	±0.5mm
	gap	1-4mm	0.5mm	±0.25mm
	thickness	1, 1.2, 2.0, 2.5, 3.0, 3.25, 4.0, 5.0mm	—	±0.1mm

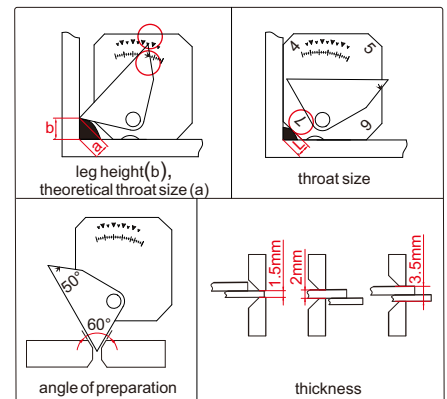
747

WELDING GAUGE

◆ Made of stainless steel



unit: mm



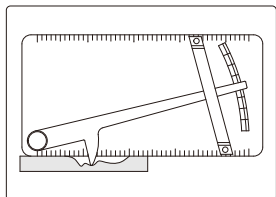
Code	Measurement	Range	Graduation	Accuracy
747-018-01	theoretical throat size (a)	2-12mm	1mm	±0.5mm
	leg height (b)	0-18mm	1mm	±0.5mm
	throat size	4, 5, 6, 7mm	—	±0.5mm
	angle of preparation	50°, 60°	—	±1°
	thickness	1.5, 2, 3.5mm	—	±0.2mm

748

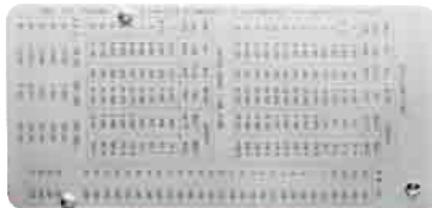
PIPE PIT GAUGE

- ◆ Made of stainless steel

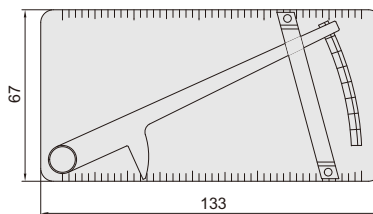
Application



front side



reverse side

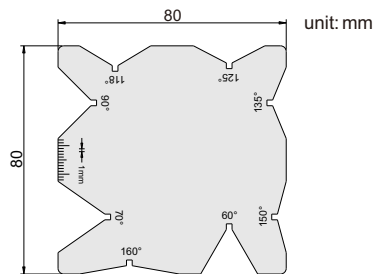
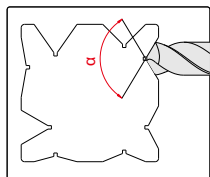


Code	Range	Graduation	Accuracy
748-012-01	0-0.5"(0-1/2")	0.01"(1/16")	±0.02"

968

DRILL ANGLE GAUGE

- ◆ Check drills with angle 60°, 70°, 90°, 118°, 125°, 135°, 150° or 160°
- ◆ Made of stainless steel



unit: mm

Code	Accuracy
968-001-01	±0.5°

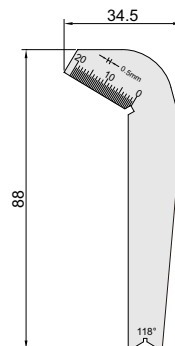
965

DRILL POINT GAUGE

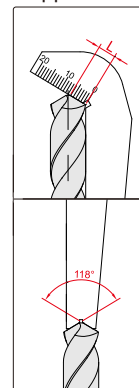
- ◆ For twist drills with 118° angle, to check if the center of tip is concentric with the drill body
- ◆ Made of stainless steel



unit: mm



Application



Code	Accuracy	
	Angle	Length
965-005-01	±0.5°	±0.5mm

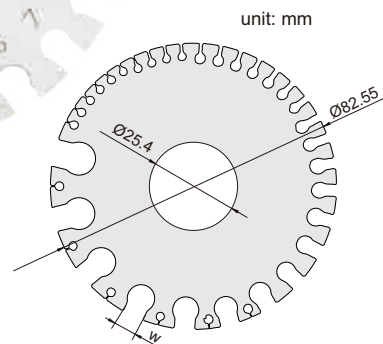
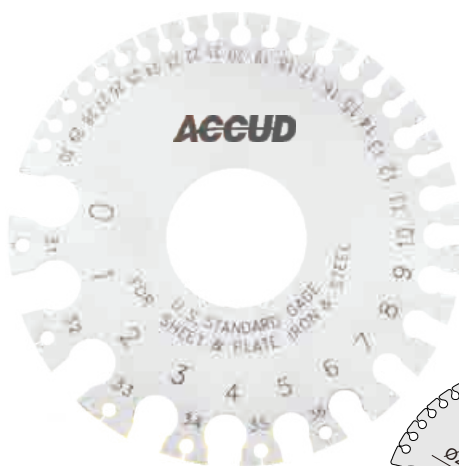
SERIES 741

U.S. STANDARD SHEET METAL GAUGE

Code	Range
741-036-12	0-36(7.938-0.179mm/.3125-.0070")

NO.	W
0	7.938mm(.3125")
1	7.144mm(.2813")
2	6.747mm(.2656")
3	6.350mm(.2500")
4	5.953mm(.2344")
5	5.556mm(.2188")
6	5.159mm(.2031")
7	4.763mm(.1875")
8	4.366mm(.1719")
9	3.969mm(.1563")
10	3.572mm(.1406")
11	3.175mm(.1250")
12	2.778mm(.1094")
13	2.381mm(.0938")
14	1.984mm(.0781")
15	1.786mm(.0703")
16	1.588mm(.0625")
17	1.429mm(.0563")
18	1.270mm(.0500")

NO.	W
19	1.111mm(.0438")
20	0.953mm(.0375")
21	0.873mm(.0344")
22	0.794mm(.0313")
23	0.714mm(.0281")
24	0.635mm(.0250")
25	0.556mm(.0219")
26	0.476mm(.0188")
27	0.437mm(.0172")
28	0.397mm(.0156")
29	0.357mm(.0141")
30	0.318mm(.0125")
31	0.278mm(.0109")
32	0.258mm(.0102")
33	0.238mm(.0094")
34	0.218mm(.0086")
35	0.198mm(.0078")
36	0.179mm(.0070")



- ◆ For gaging sheet metal, plate iron and steel
- ◆ Hardened

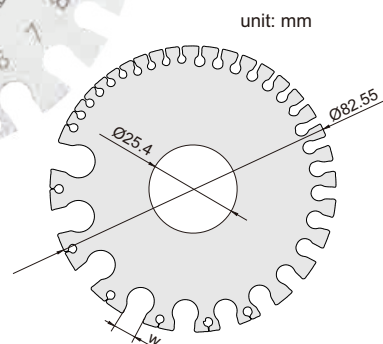
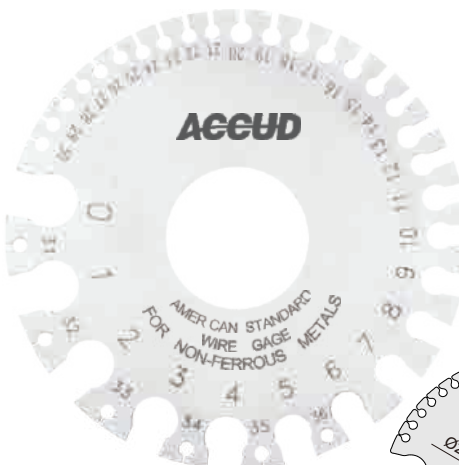
SERIES 741

AMERICAN STANDARD WIRE GAUGE

Code	Range
741-036-11	0-36(8.250-0.127mm/.3249-.0050")

NO.	W
0	8.250mm(.3249")
1	7.350mm(.2893")
2	6.540mm(.2576")
3	5.830mm(.2294")
4	5.190mm(.2043")
5	4.620mm(.1819")
6	4.110mm(.1620")
7	3.670mm(.1443")
8	3.260mm(.1285")
9	2.910mm(.1144")
10	2.590mm(.1019")
11	2.300mm(.0907)
12	2.050mm(.0808")
13	1.820mm(.0720")
14	1.630mm(.0641")
15	1.450mm(.0571")
16	1.290mm(.0508")
17	1.150mm(.0453")
18	1.020mm(.0403")

NO.	W
19	0.912mm(.0359")
20	0.813mm(.0320")
21	0.724mm(.0285")
22	0.643mm(.0253")
23	0.574mm(.0226")
24	0.511mm(.0201")
25	0.440mm(.0179")
26	0.404mm(.0159")
27	0.361mm(.0142")
28	0.320mm(.0126")
29	0.287mm(.0113")
30	0.254mm(.0100")
31	0.226mm(.0089")
32	0.203mm(.0080")
33	0.180mm(.0071")
34	0.160mm(.0063")
35	0.142mm(.0056")
36	0.127mm(.0050")



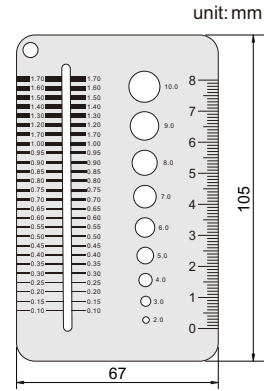
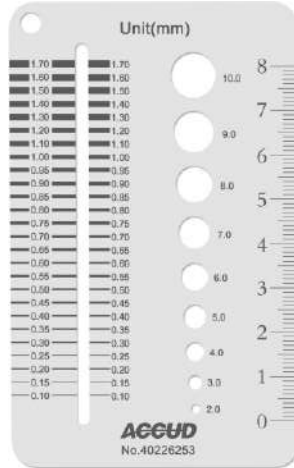
- ◆ For gaging non-ferrous wire and metals such as copper, brass and aluminum
- ◆ Hardened



940

GAP/DIAMETER GAUGE

◆ Made of stainless steel

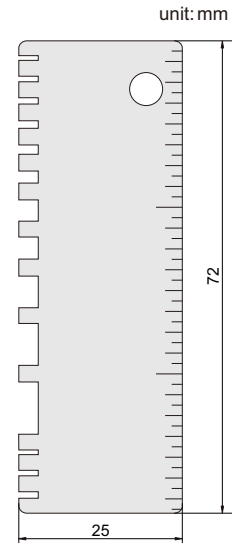
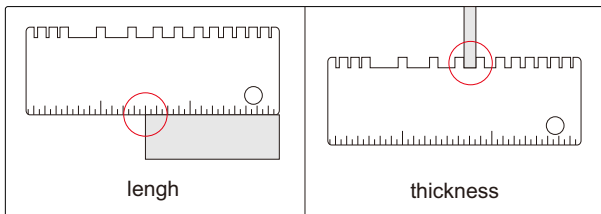


Code	Standard diameter	Gap
940-010-01	2, 3, 4, 5, 6, 7, 8, 9, 10mm	0.1-1.7mm

742

THICKNESS GAUGE

◆ Made of stainless steel

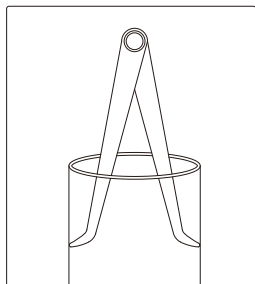


Code	Application	Range	Graduation	Accuracy
742-003-11	length	0-2 3/4"	1/16"	1/32"
	thickness	24GA.(.0239"), 22GA.(.0299"), 20GA.(.0359")	—	±0.002"
		18GA.(.0478"), 16GA.(.0598"), 14GA.(.0747"), 1/8"(0.125"), 10GA.(0.1345"), 3/16"(0.1875"), 1/4"(0.250"), 5/16"(0.3125")	—	±0.004"
		0.024", 0.030", 0.035"	—	±0.002"

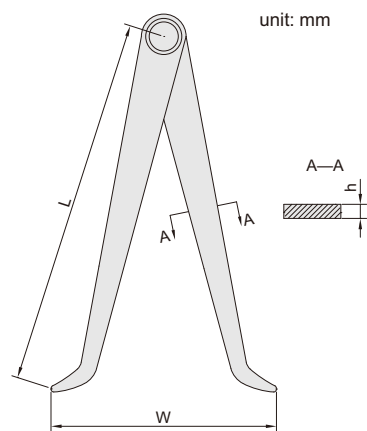
SERIES 981

INSIDE CALIPER

◆ Made of carbon steel



981-006-01



unit: mm

Code	Size(L)	Range(W)	h
981-006-01	150mm	15-150mm	2
981-008-01	200mm	15-200mm	2
981-010-01	250mm	15-250mm	3
981-012-01	300mm	15-300mm	3
981-016-01	400mm	30-400mm	3
981-020-01	500mm	30-500mm	3
981-024-01	600mm	30-600mm	3
981-032-01	800mm	30-800mm	4
981-040-01	1000mm	30-1000mm	4

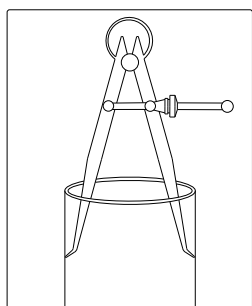
Package (size ≤ 300mm)



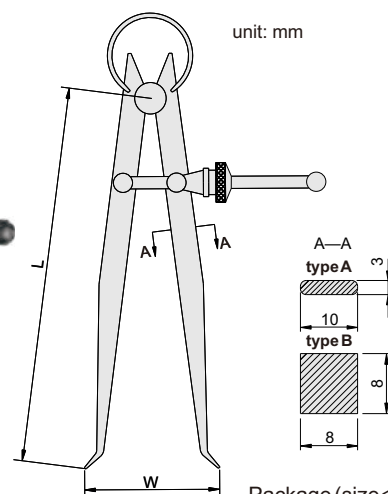
SERIES 982

INSIDE SPRING CALIPER

◆ Made of carbon steel



982-006-01



unit: mm

Code	Size(L)	Range(W)	Type
982-005-01	125mm	15-115mm	A
982-006-01	150mm	15-140mm	A
982-008-01	200mm	18-190mm	A
982-010-01	250mm	20-240mm	A
982-012-01	300mm	20-290mm	A
982-016-01	400mm	20-390mm	B
982-020-01	500mm	25-490mm	B
982-024-01	600mm	25-590mm	B

Package (size ≤ 300mm)

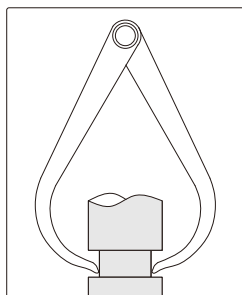




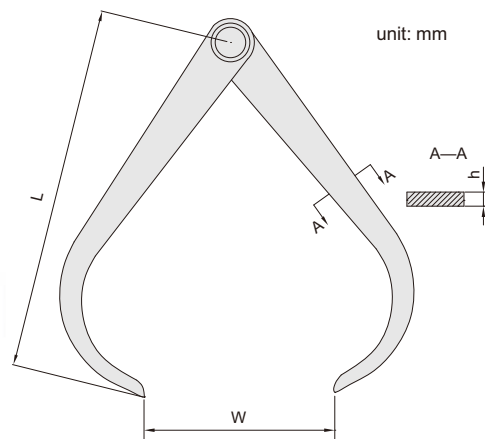
SERIES 983

OUTSIDE CALIPER

◆ Made of carbon steel



983-006-01



unit: mm

Code	Size(L)	Range(W)	h
983-006-01	150mm	0 - 150mm	2
983-008-01	200mm	0 - 200mm	2
983-010-01	250mm	0 - 250mm	3
983-012-01	300mm	0 - 300mm	3
983-016-01	400mm	0 - 400mm	3
983-020-01	500mm	0 - 500mm	3
983-024-01	600mm	0 - 600mm	3
983-032-01	800mm	0 - 800mm	4
983-040-01	1000mm	0 - 1000mm	4

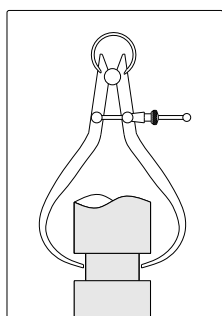
Package (size ≤ 300mm)



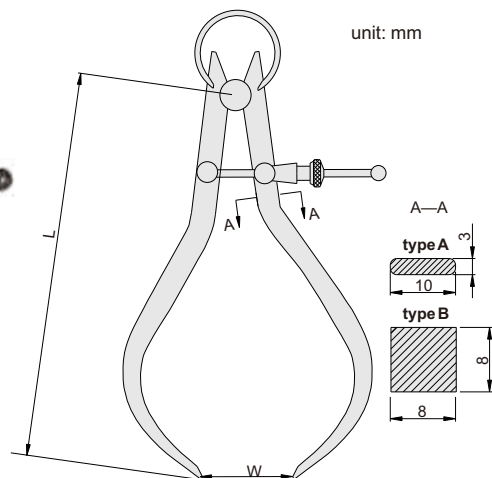
SERIES 984

OUTSIDE SPRING CALIPER

◆ Made of carbon steel



984-005-01



unit: mm

Code	Size(L)	Range(W)	Type
984-005-01	125mm	0 - 115mm	A
984-006-01	150mm	0 - 140mm	A
984-008-01	200mm	0 - 190mm	A
984-010-01	250mm	0 - 240mm	A
984-012-01	300mm	0 - 290mm	A
984-016-01	400mm	0 - 390mm	B
984-020-01	500mm	0 - 490mm	B
984-024-01	600mm	0 - 590mm	B

Package (size ≤ 300mm)



SERIES 985

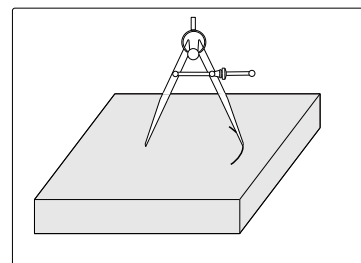
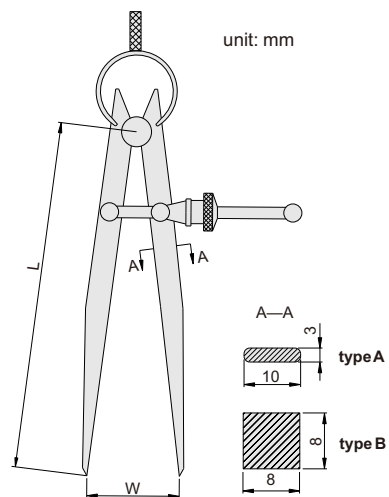
SPRING DIVIDER

- ◆ Made of carbon steel
- ◆ Hardened points

Package (size ≤ 300mm)



985-005-01



Code	Size(L)	Range(W)	Type
985-005-01	125mm	0 - 115mm	A
985-006-01	150mm	0 - 140mm	A
985-008-01	200mm	0 - 190mm	A
985-010-01	250mm	0 - 240mm	A
985-012-01	300mm	0 - 290mm	B
985-016-01	400mm	0 - 390mm	B
985-020-01	500mm	0 - 490mm	B
985-024-01	600mm	0 - 590mm	B

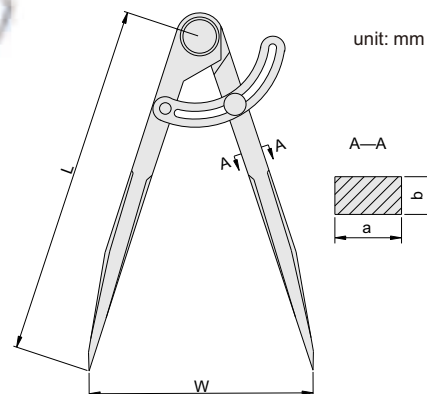
SERIES 986

DIVIDER

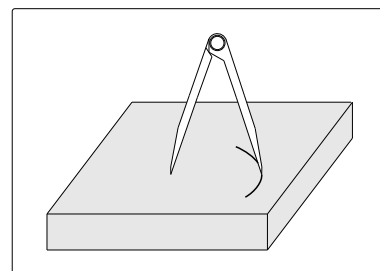
- ◆ Made of carbon steel
- ◆ Hardened points



986-005-01



Package (size ≤ 300mm)



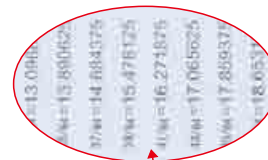
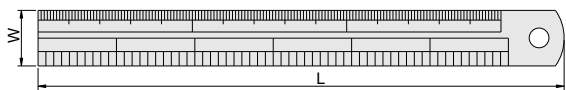
Code	Size(L)	Range(W)	a	b
986-005-01	125mm	0 - 115mm	8.5	7
986-006-01	150mm	0 - 140mm	8.5	7
986-008-01	200mm	0 - 190mm	10	7
986-010-01	250mm	0 - 240mm	11	7
986-012-01	300mm	0 - 290mm	12	7
986-016-01	400mm	0 - 390mm	12	7
986-020-01	500mm	0 - 490mm	12	7
986-024-01	600mm	0 - 590mm	12	7
986-032-01	800mm	0 - 790mm	16	11
986-040-01	1000mm	0 - 990mm	16	11

SERIES 990

STEEL RULE



990-006-11



Range >1000mm



- ◆ Graduation: 0.5mm, 1mm, 1/64", 1/32", 1/16"
- ◆ Made of stainless steel

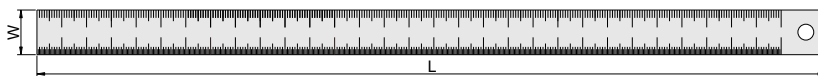
Code	Range	Accuracy	T	L	W	Remark
990-006-11	150mm/6"	±0.18mm	1	170	18	graduation on front and back
990-008-11	200mm/8"	±0.18mm	1	220	18	graduation on front and back
990-012-11	300mm/12"	±0.27mm	1	330	25	graduation on front and back
990-020-11	500mm/20"	±0.27mm	1	530	30	graduation on front and back
990-040-11	1000mm/40"	±0.45mm	1.5	1040	32	graduation on front and back
990-060-11	1500mm/60"	±0.63mm	1.5	1550	38	graduation on front
990-080-11	2000mm/80"	±0.80mm	2	2065	38	graduation on front

SERIES 990

STEEL RULE



990-012-11H



- ◆ Graduation: 0.5mm, 1mm, 1/64", 1/50", 1/32", 1/20", 1/16", 1/10"
- ◆ Matt finished
- ◆ Made of stainless steel

Code	Range	Accuracy	T	L	W
990-006-11H	150mm/6"	±0.08mm	1	170	14
990-012-11H	300mm/12"	±0.11mm	1	334	25
990-020-11H	500mm/20"	±0.14mm	1.2	534	28.5
990-024-11H	600mm/24"	±0.16mm	1.2	638	28.5
990-040-11H	1000mm/40"	±0.24mm	1.2	1043	35

909

POCKET RULE WITH SLIDING CLIP

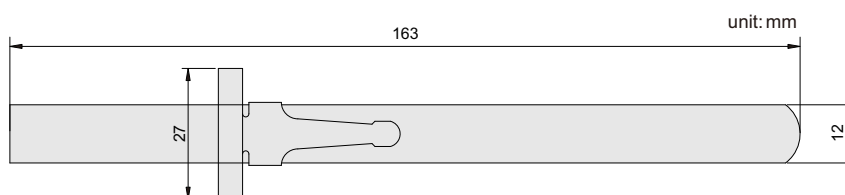
- ◆ With sliding clip, clip can be inserted in the pocket, also can be used as depth gage base
- ◆ Inch/metric conversion table on the back
- ◆ Made of stainless steel



front side



reverse side



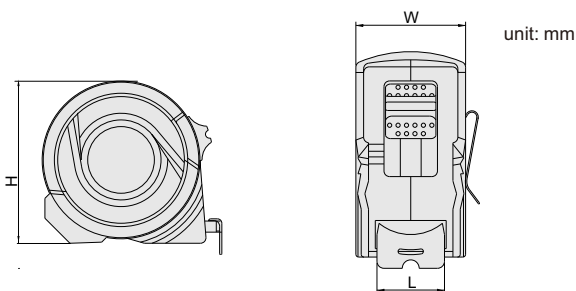
Code	Range	Graduation	Accuracy
909-006-11	150mm/6"	1mm, 1/64"	±0.15mm

SERIES 989

MEASURING TAPE



989-005-01



- ◆ Matt Nylon coating tape, wear resistance

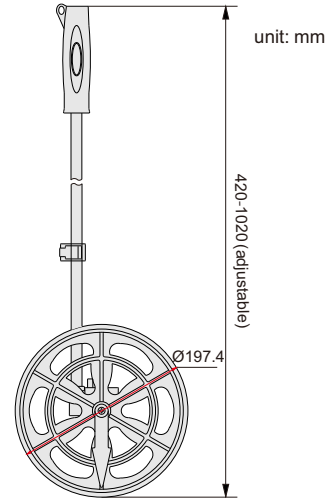
Code	Range	Graduation	Width of tape L	W	H
989-003-01	0-3m	1mm	16mm	33	60
989-005-01	0-5m	1mm	19mm	33	68



988

MEASURING WHEEL

- ◆ ABS plastic frame, wear-resistant PU tire
- ◆ Three-section adjustable handle



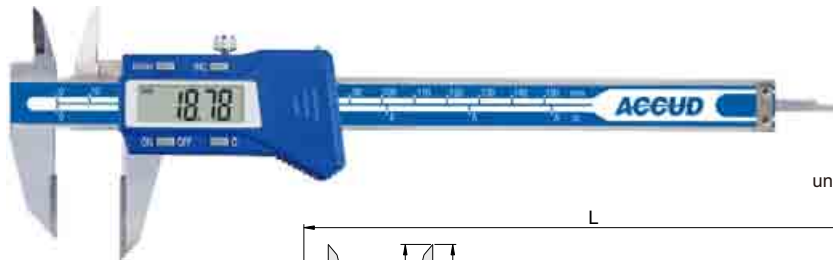
Code	Range	Resolution
988-100-11	0.1-9999.9m	0.1m

SERIES 155

DIGITAL SCRIBING CALIPER



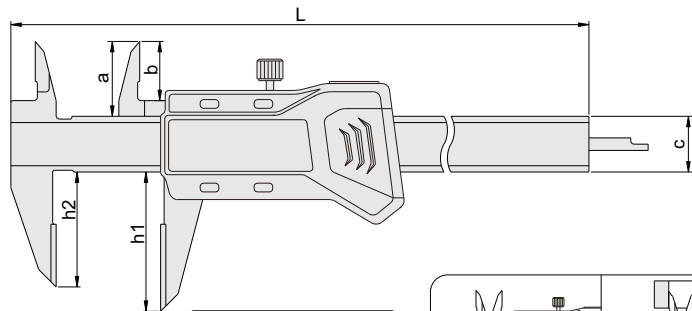
MEASURING TOOL
SIMPLE



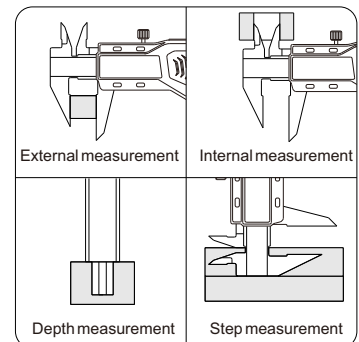
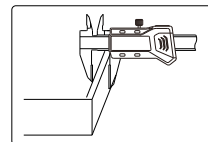
Carbide tipped jaws

155-006-11

unit: mm



- ◆ Carbide -tipped jaws facilitate fine scribing on workpiece
- ◆ Resolution:0.01mm/0.0005"
- ◆ Automatic power on/off
- ◆ Buttons: on/off, zero, mm/in, INC
- ◆ Data output(cable code:100-03 or 100-04)
- ◆ Made of stainless steel



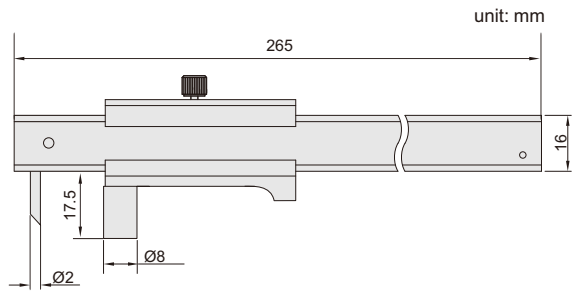
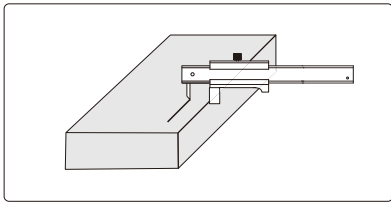
Code	Range	Accuracy	a	b	c	h1	h2	L
155-006-11	0-150mm/0-6"	±0.03mm	21	16.5	16	40	33	236
155-008-11	0-200mm/0-8"	±0.03mm	24	19.5	16	50	43	286
155-012-11	0-300mm/0-12"	±0.04mm	25	20.5	17	60	53	386

900

SCRIBING CALIPER



- ◆ Made of stainless steel
- ◆ Satin chrome plated reading surface
- ◆ Carbide scriber tip
- ◆ With accessory: carbide scriber tip

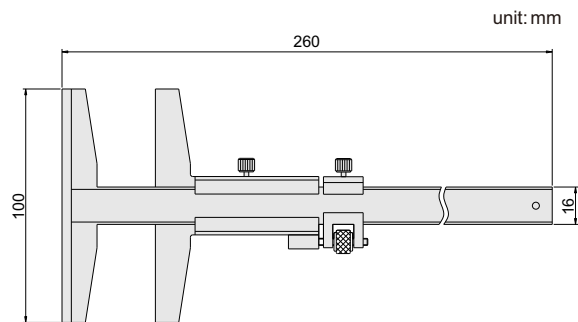
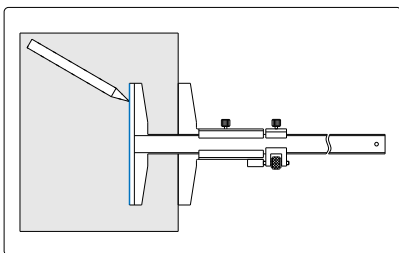


Code	Range	Graduation	Accuracy
900-008-11	0-200mm/0-8"	0.1mm, 1/128"	±0.1mm

902

T-SHAPE MARKING GAUGE

- ◆ Made of stainless steel
- ◆ Satin chrome plated reading surface

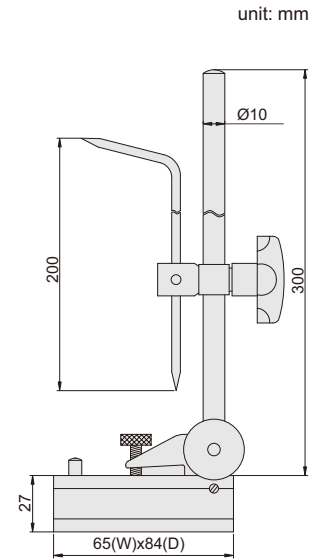
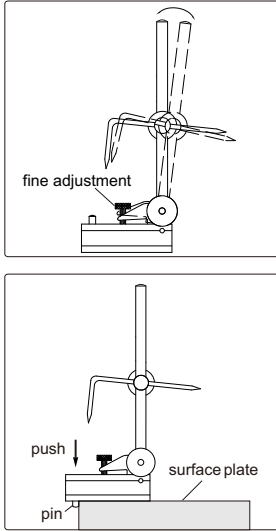


Code	Range	Graduation	Accuracy
902-006-51	0-150mm	0.05mm	±0.05mm

903

HEIGHT SCRIBER

- ◆ Grooved bottom for cylinder
- ◆ Two pins to be set against the edge of surface plate



Code

903-012-11

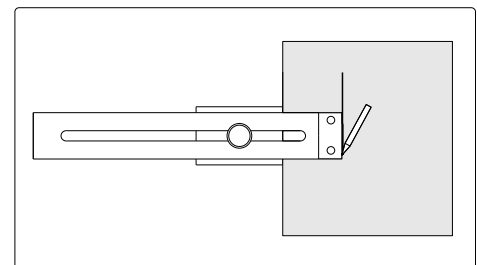
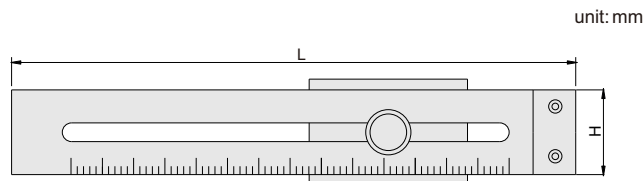
SERIES 992

MARKING GAUGE

- ◆ Made of stainless steel
- ◆ Stain chrome finish



992-008-01



Code	Range	Accuracy	Graduation	H	L
992-008-01	0 - 200mm	±0.1mm	0.1mm	40	250
992-010-01	0 - 250mm	±0.1mm	0.1mm	40	300
992-012-01	0 - 300mm	±0.1mm	0.1mm	40	350

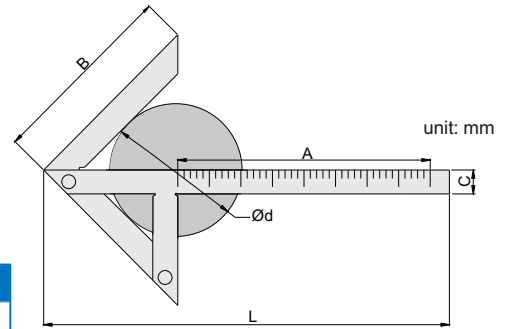
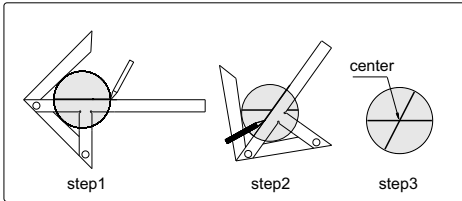
SERIES 993

CENTER MARKING GAUGE

- ◆ Find the center of round plates and shafts
- ◆ Made of stainless steel
- ◆ Stain chrome plated



993-004-01



Code	Size (AxB)	Diameter(Ød)	Accuracy	C	L
993-004-01	100x70mm	4 - 90mm	±0.15mm	12	153
993-006-01	150x130mm	4 - 190mm	±0.15mm	15	245
993-008-01	200x150mm	6 - 220mm	±0.15mm	15	310
993-012-01	300x180mm	6-270mm	±0.15mm	20	435

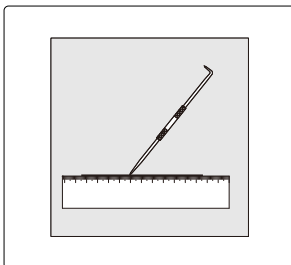
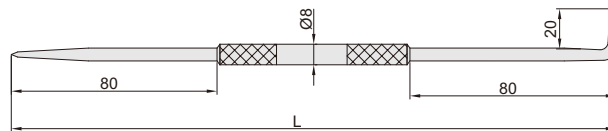
995

SCRIBER

- ◆ Nickel plated



unit: mm



Package



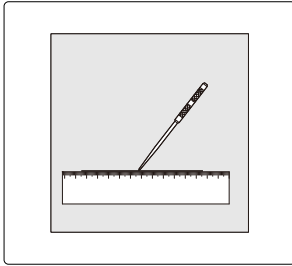
Code	Tips	L
995-009-01	hardened tips	235



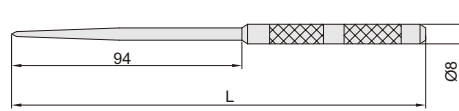
995

SCRIBER

◆ Nickel plated



unit: mm



Package



Code	Tips	L
995-007-01	hardened tips	167

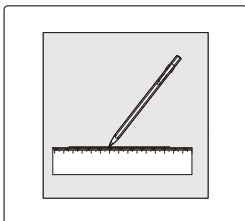
995

SCRIBER

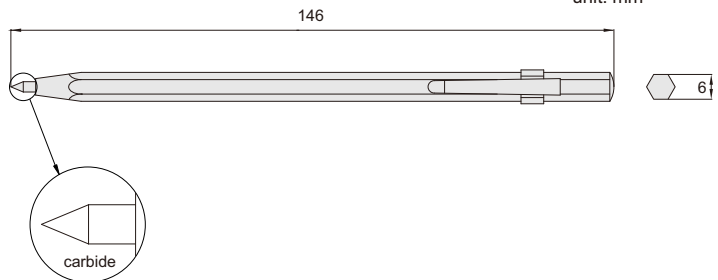
◆ Nickel plated



clip



unit: mm



Code	Tips
995-006-11	carbide

SERIES 996

DIGITAL HORIZONTAL SCALE



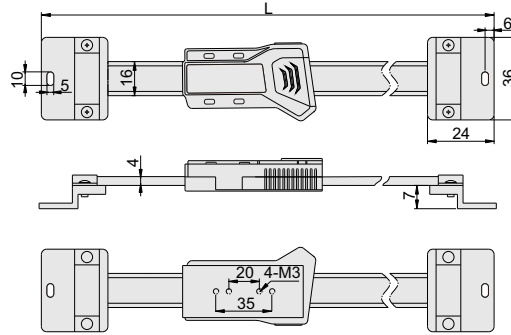
Type A

- ◆ Resolution: 0.01mm/0.0005"
- ◆ Buttons: on/off, zero, mm/inch
- ◆ Automatic power off
- ◆ Data output(cable code:100-03 or 100-04)
- ◆ Made of stainless steel
- ◆ Supplied with bracket
- ◆ Optional accessory: SPC cable



996-006-11

unit: mm



Type A

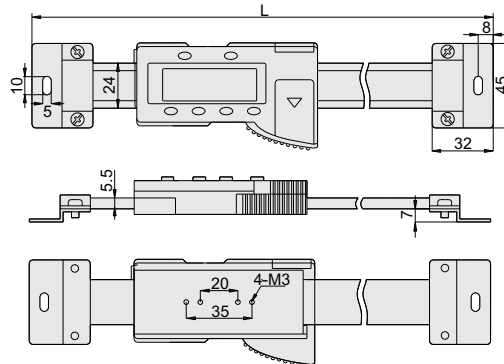
Type B

- ◆ Resolution: 0.01mm/0.0005"
- ◆ Absolute and incremental measurement
- ◆ Data output
- ◆ Made of stainless steel
- ◆ Supplied with bracket



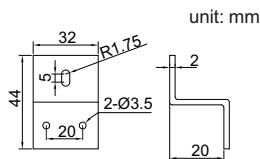
996-020-11

unit: mm



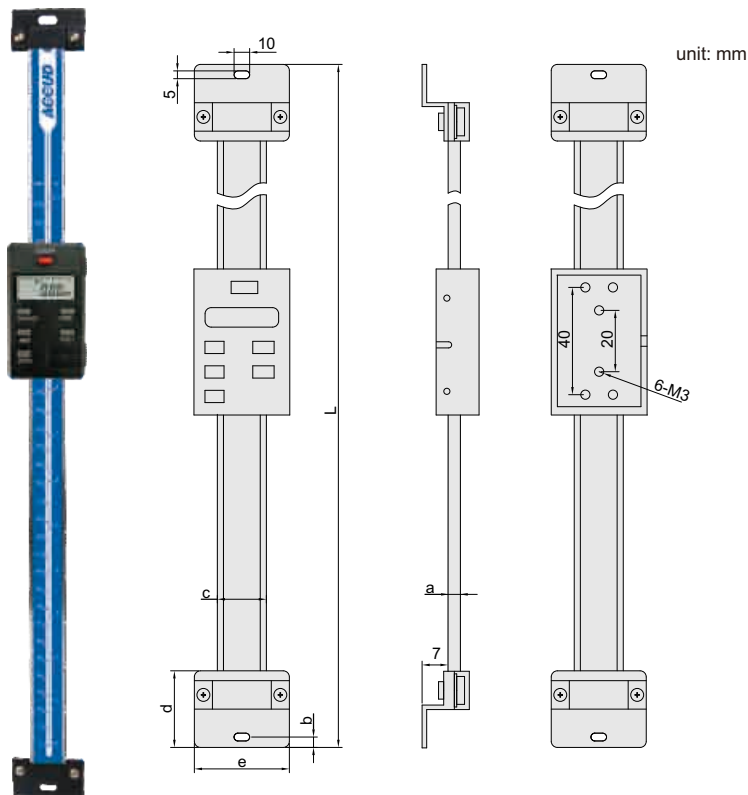
Type B

Bracket(included)



unit: mm

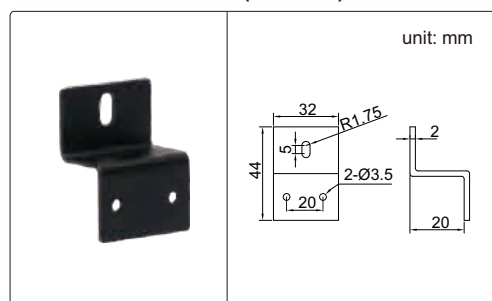
Code	Range	Accuracy	Type	L
996-004-11	100mm	±0.03mm	A	209
996-006-11	150mm	±0.03mm	A	259
996-008-11	200mm	±0.03mm	A	310
996-012-11	300mm	±0.04mm	A	444
996-020-11	500mm	±0.05mm	B	682
996-024-11	600mm	±0.08mm	B	790
996-032-11	800mm	±0.10mm	B	990
996-040-11	1000mm	±0.10mm	B	1240



997-012-11

- ◆ Resolution: 0.01mm/0.0005"
- ◆ Data output
- ◆ Button: on/off, zero, mm/inch, ABS, data preset
- ◆ Made of stainless steel
- ◆ Supplied with bracket

Bracket(included)



Code	Range	Accuracy	a	b	c	d	e	L
997-004-11	100mm	±0.03mm	4	6	20	24	40	245
997-006-11	150mm	±0.03mm	4	6	20	24	40	296
997-008-11	200mm	±0.03mm	4	6	20	24	40	345
997-012-11	300mm	±0.04mm	4	6	20	24	40	444
997-020-11	500mm	±0.05mm	5.5	8	24	32	45	682
997-024-11	600mm	±0.08mm	5.5	8	24	32	45	790
997-032-11	800mm	±0.10mm	10.5	9.5	31	32	60	990
997-040-11	1000mm	±0.10mm	10.5	9.5	31	40	60	1240